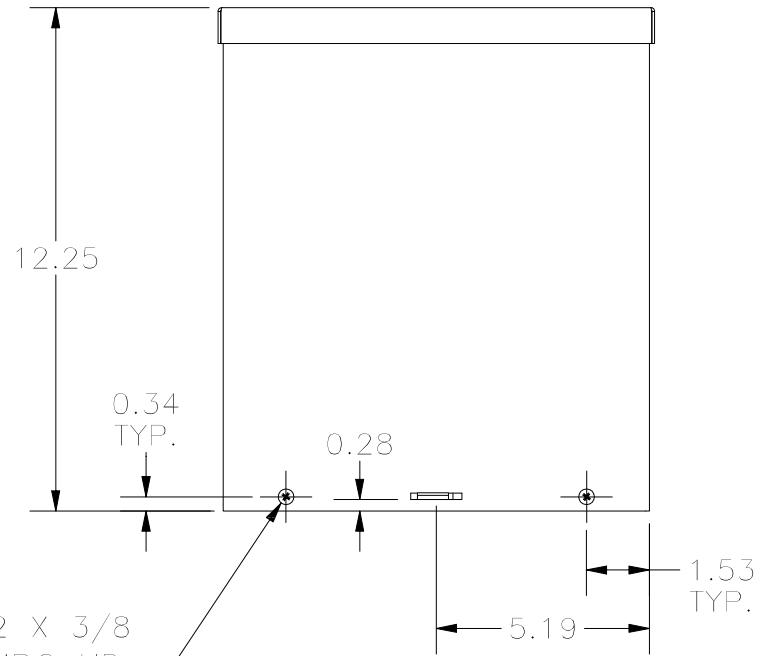
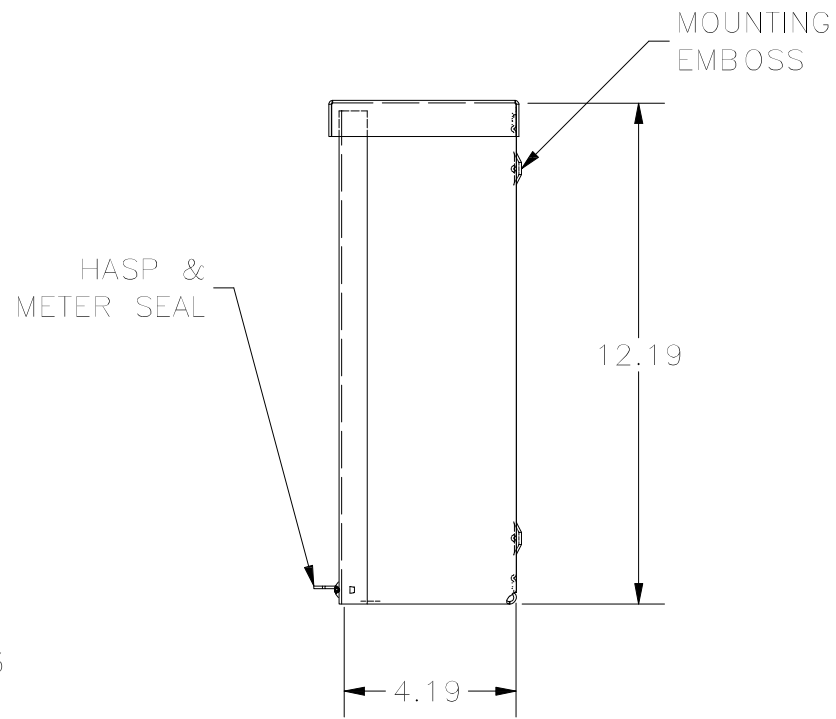


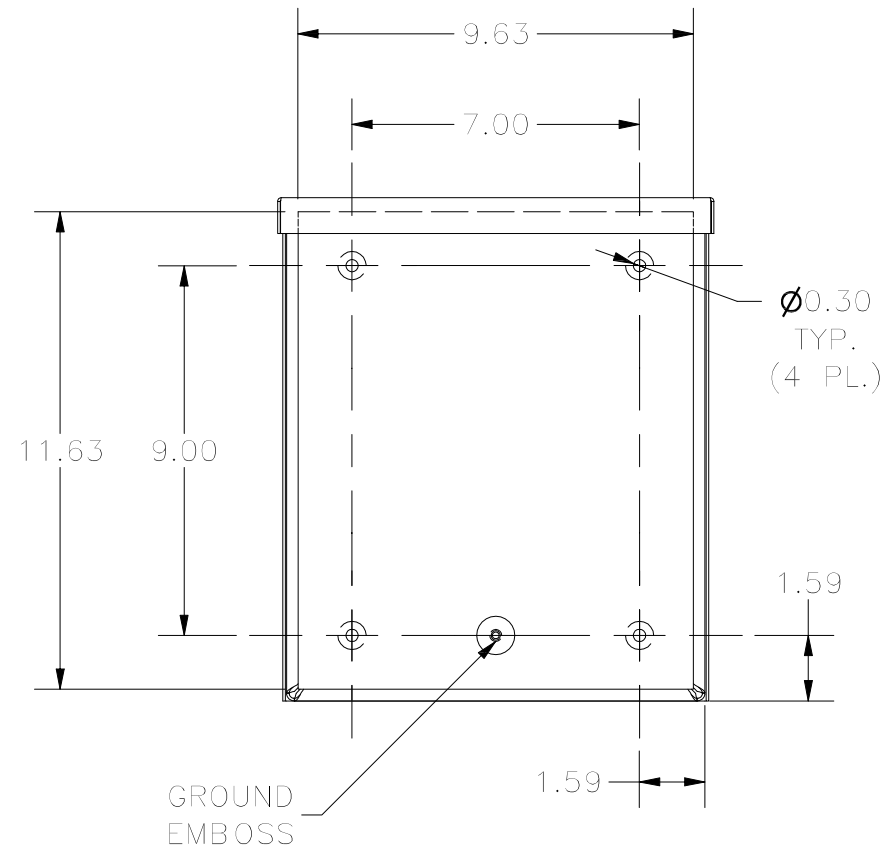
TOP VIEW



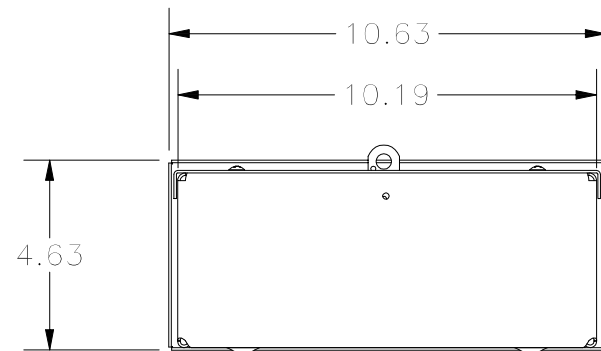
FRONT VIEW



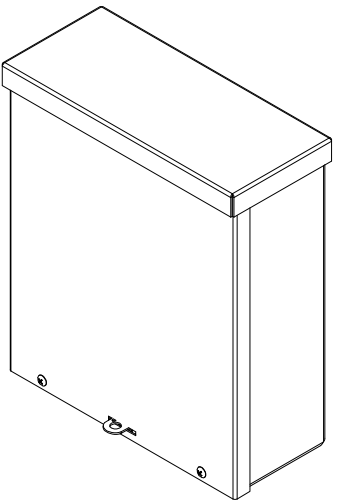
RIGHT VIEW



BACK VIEW



BOTTOM VIEW



PART#: RSC 101204NK
(DATA SUBJECT TO CHANGE WITHOUT NOTICE)

THIS DRAWING IS PROPERTY OF HUBBELL INC. WIEGMANN
ALL INFORMATION IS PROPRIETARY AND NOT TO BE DUPLICATED