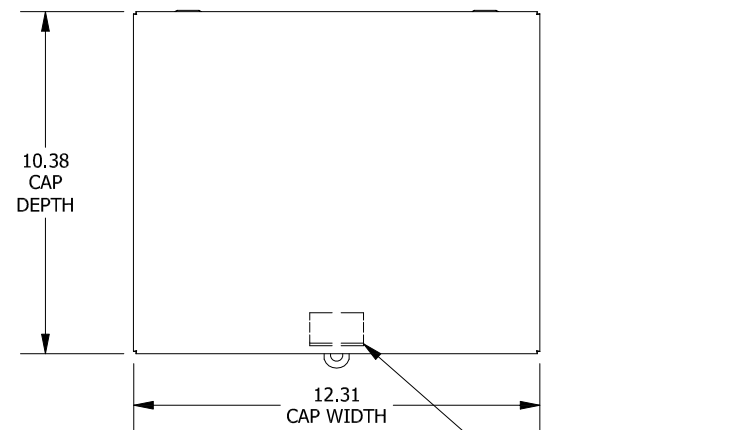
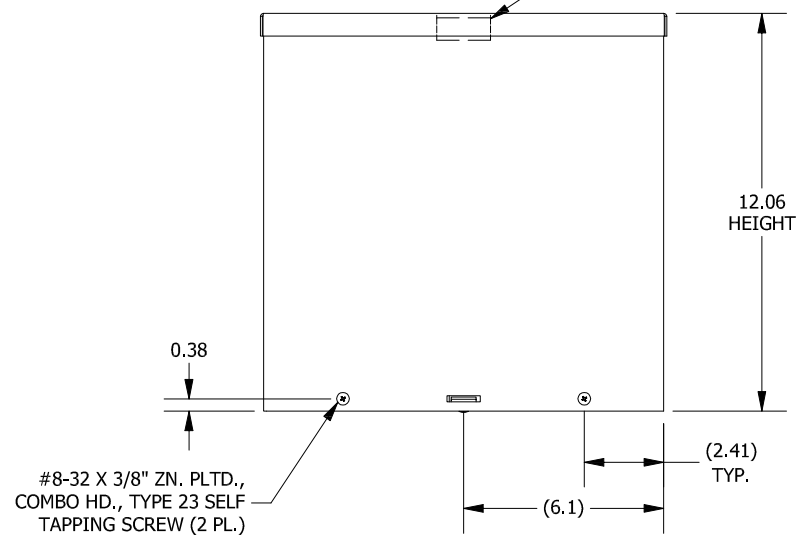


**LEFT SIDE VIEW**

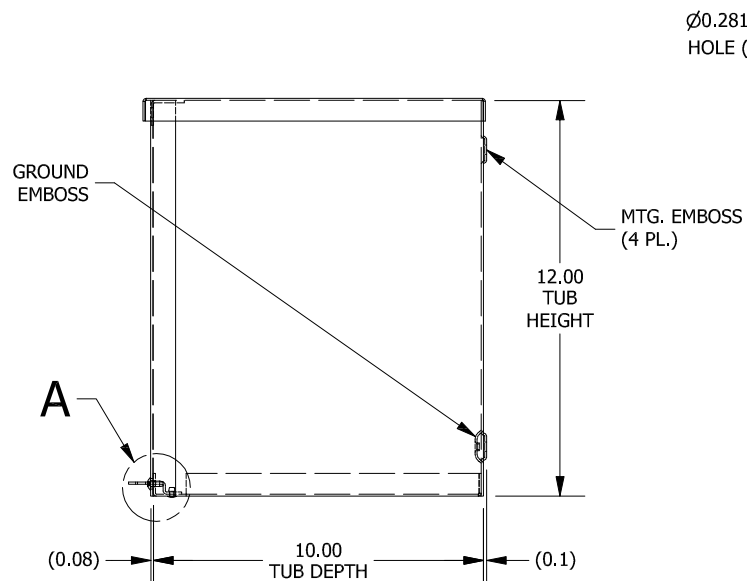


**TOP VIEW**

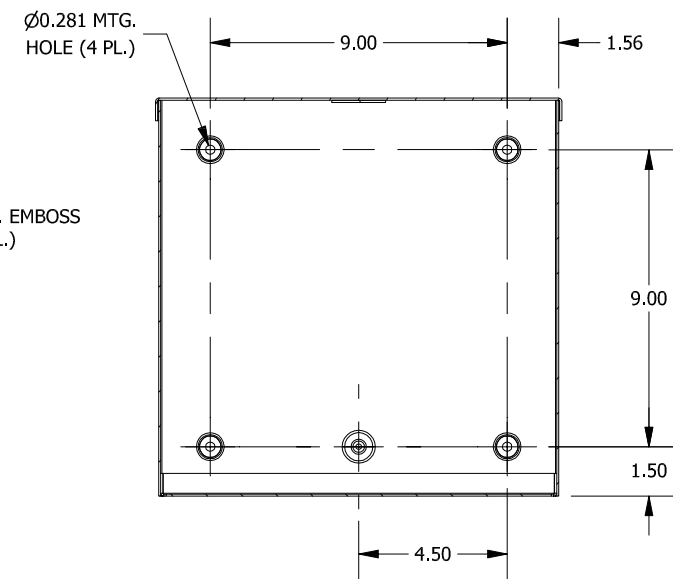
LID BRACKET SPOT WELDED TO CAP



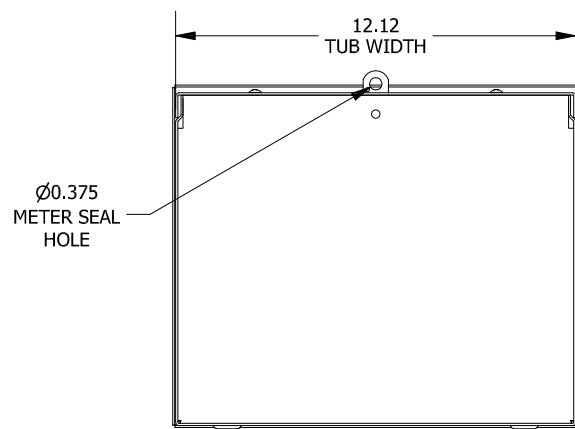
**FRONT VIEW**



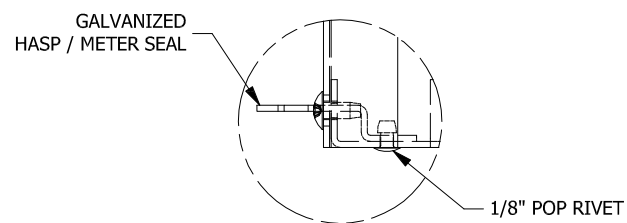
**RIGHT SIDE VIEW**



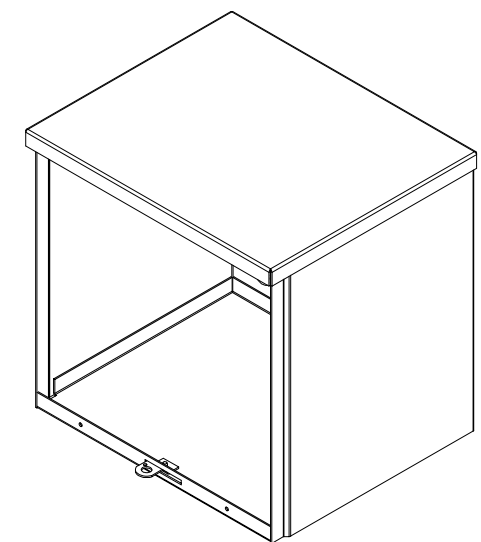
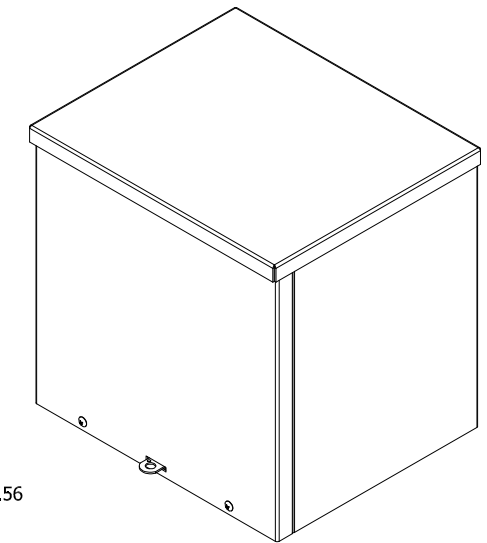
**SECTION A-A  
(INSIDE BACK OF ENCL.)**



**BOTTOM VIEW**



**DETAIL A  
(METER SEAL DETAIL)**



PART#: RSC121210  
(DATA SUBJECT TO CHANGE WITHOUT NOTICE)

THIS DRAWING IS PROPERTY OF HUBBELL INC. WIEGMANN  
ALL INFORMATION IS PROPRIETARY AND NOT TO BE DUPLICATED