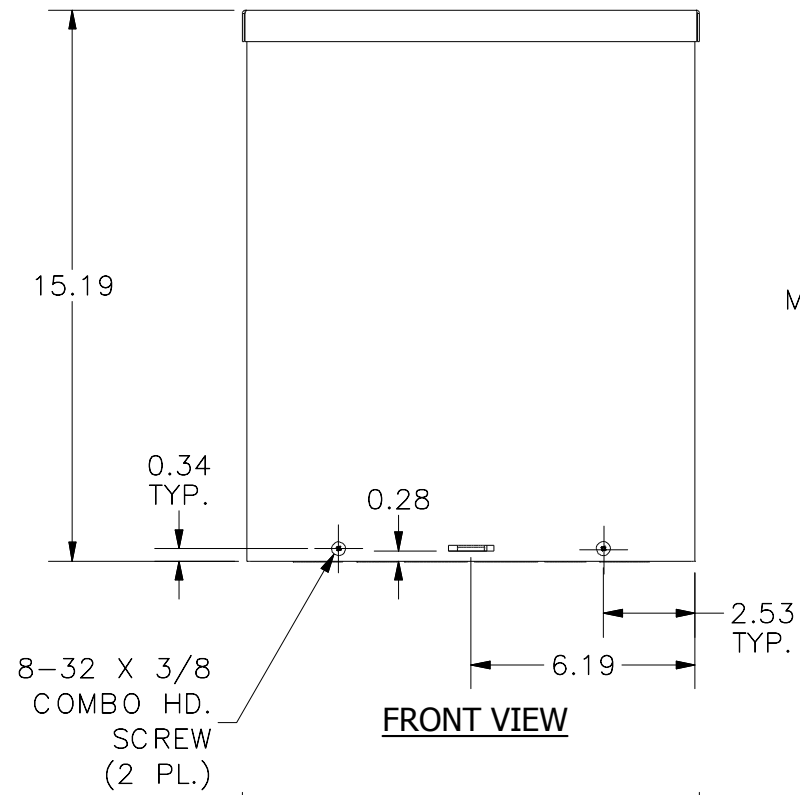
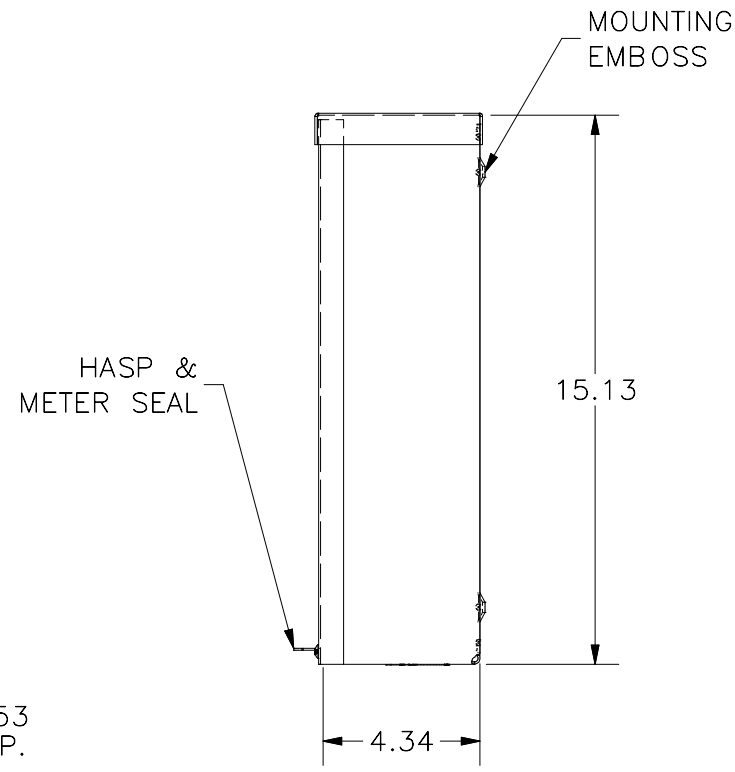


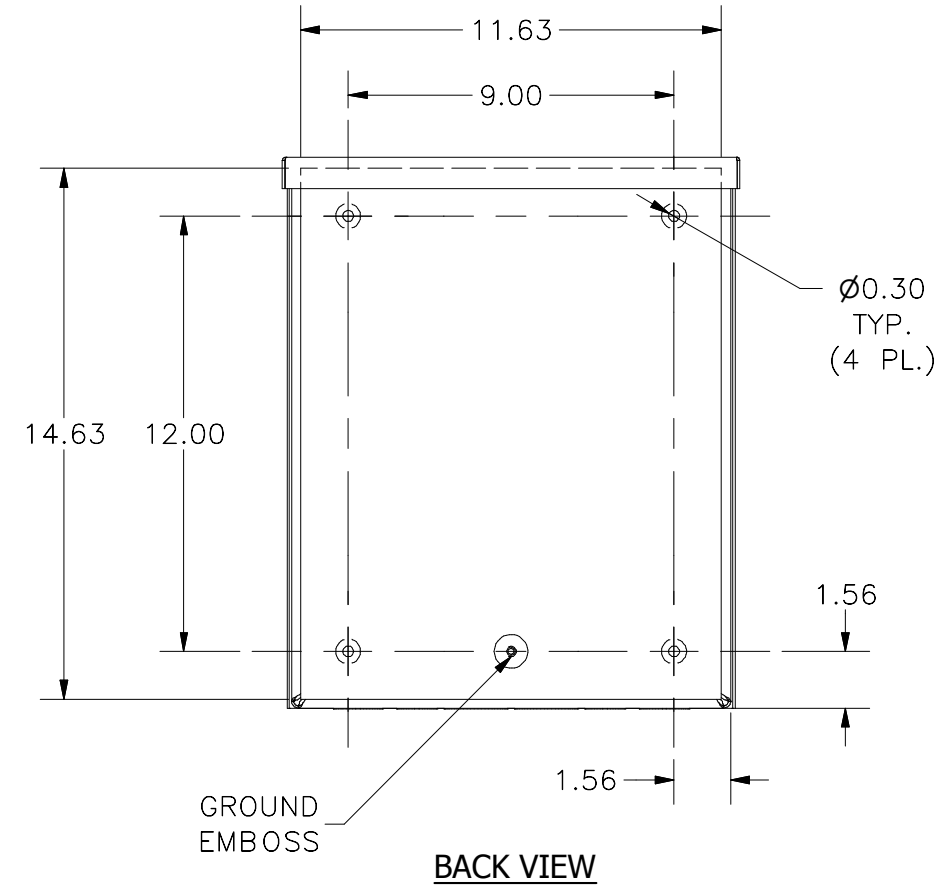
**TOP VIEW**



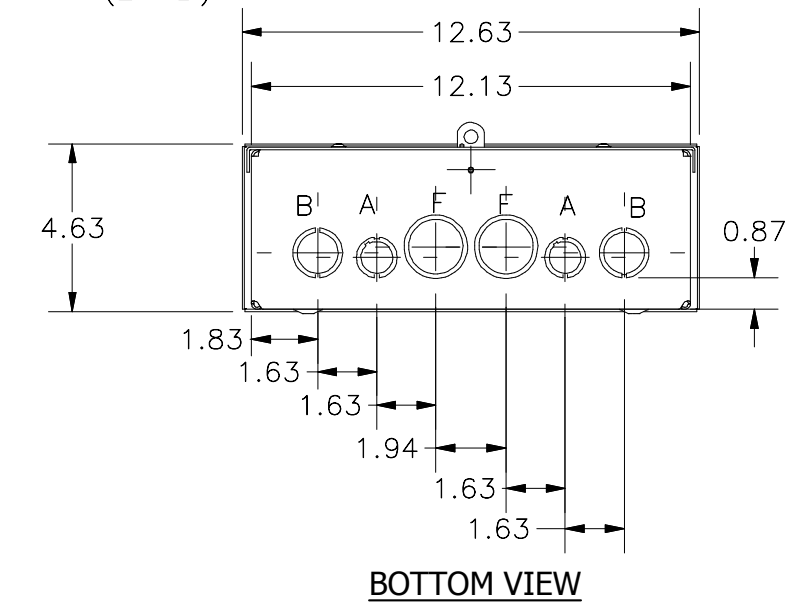
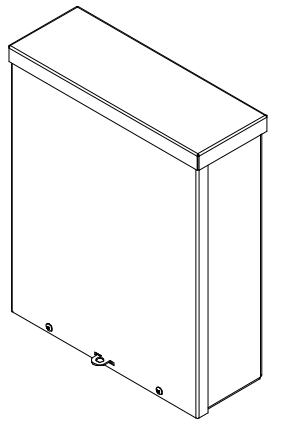
**FRONT VIEW**



**RIGHT VIEW**



**BACK VIEW**



**BOTTOM VIEW**

| KNOCK OUT SIZE |              |
|----------------|--------------|
| LETTER         | SIZES        |
| A              | 1/2" TO 3/4" |
| B              | 3/4" TO 1"   |
| F              | 1" TO 1-1/4" |

PART#: RSC 121504  
 (DATA SUBJECT TO CHANGE  
 WITHOUT NOTICE)

THIS DRAWING IS PROPERTY OF HUBBELL INC.  
 WIEGMANN  
 ALL INFORMATION IS PROPRIETARY AND NOT TO BE  
 DUPLICATED