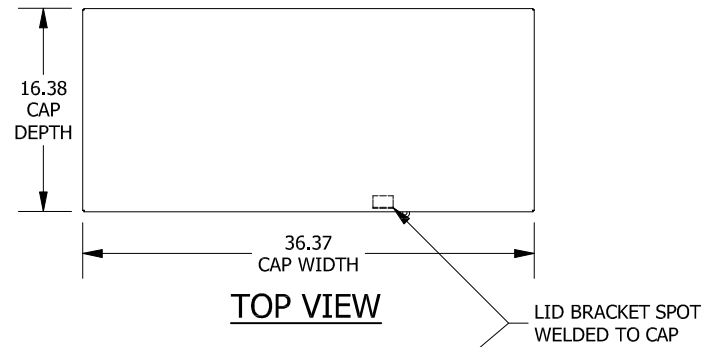
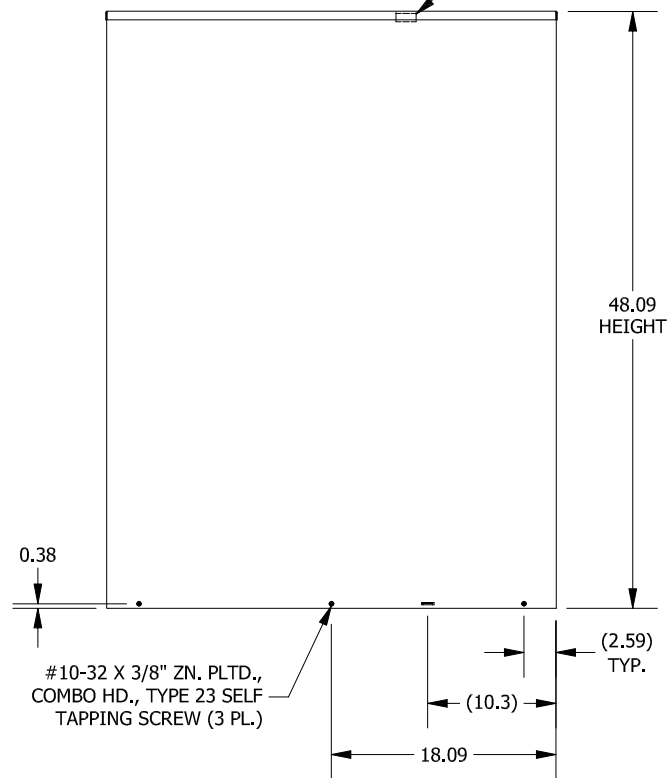


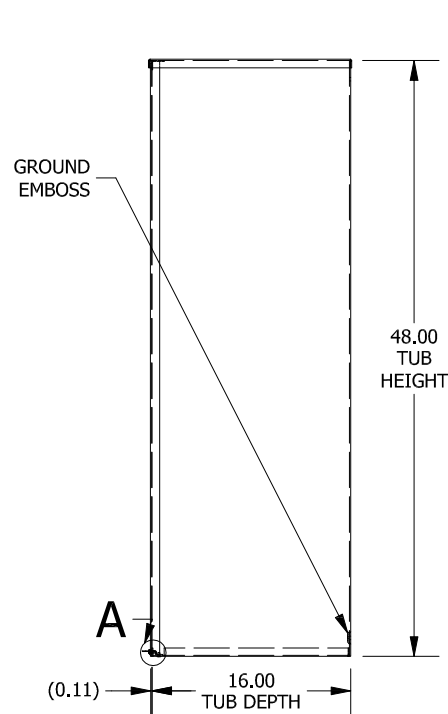
LEFT SIDE VIEW



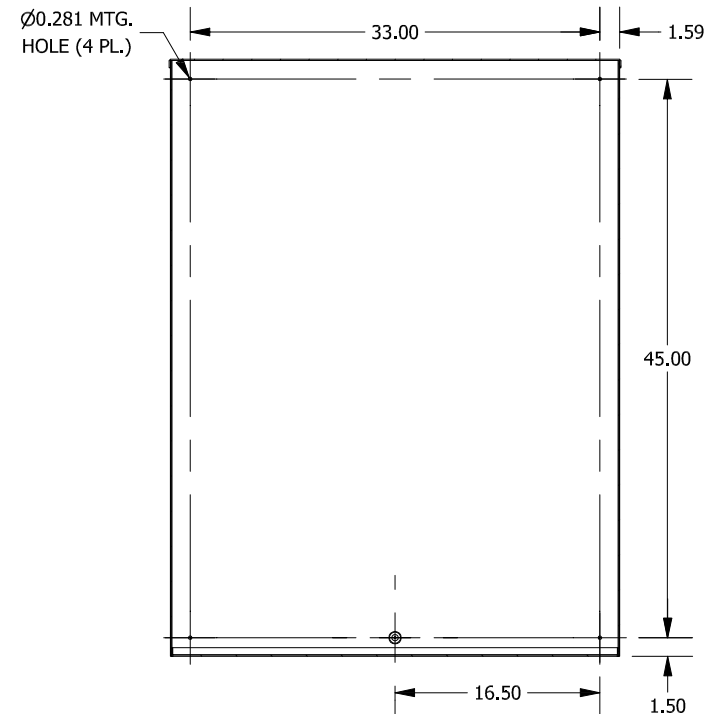
TOP VIEW



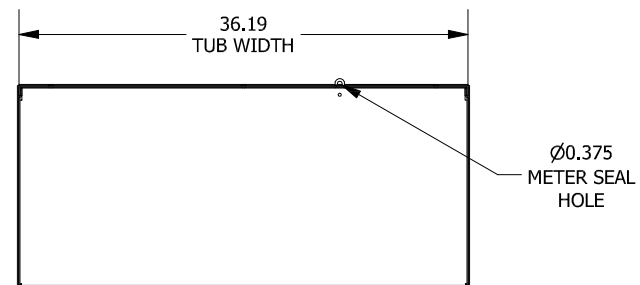
FRONT VIEW



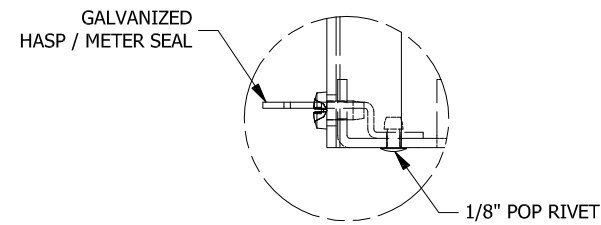
RIGHT SIDE VIEW



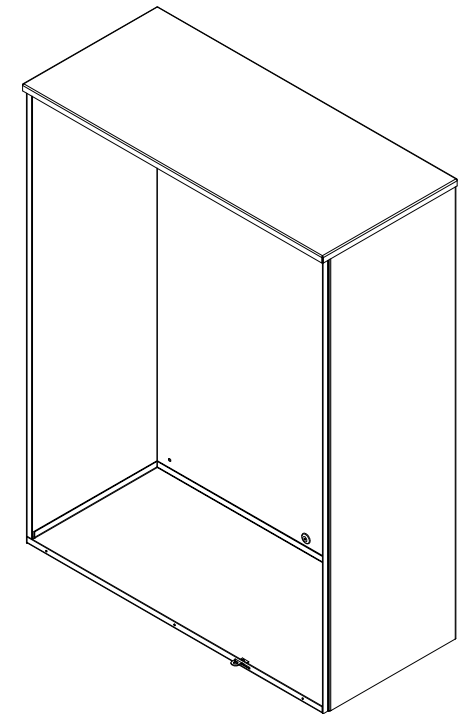
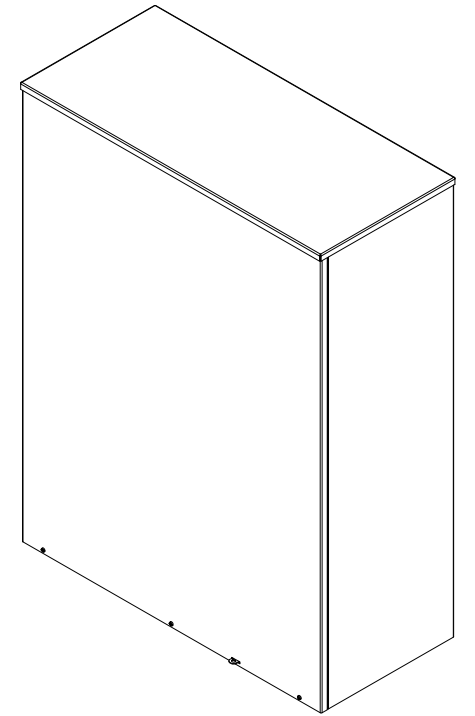
SECTION A-A
(INSIDE BACK OF ENCL.)



BOTTOM VIEW



DETAIL A
(METER SEAL DETAIL)



PART#: RSC364816G
(DATA SUBJECT TO CHANGE WITHOUT NOTICE)

THIS DRAWING IS PROPERTY OF HUBBELL INC. WIEGMANN
ALL INFORMATION IS PROPRIETARY AND NOT TO BE DUPLICATED