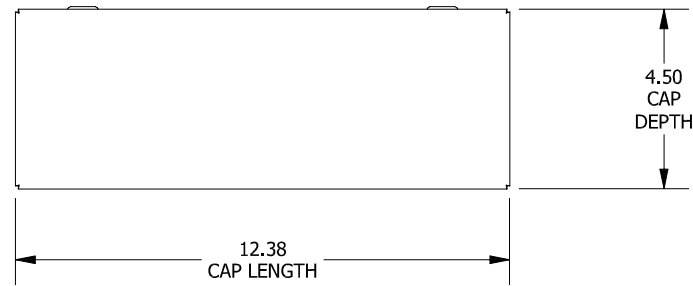
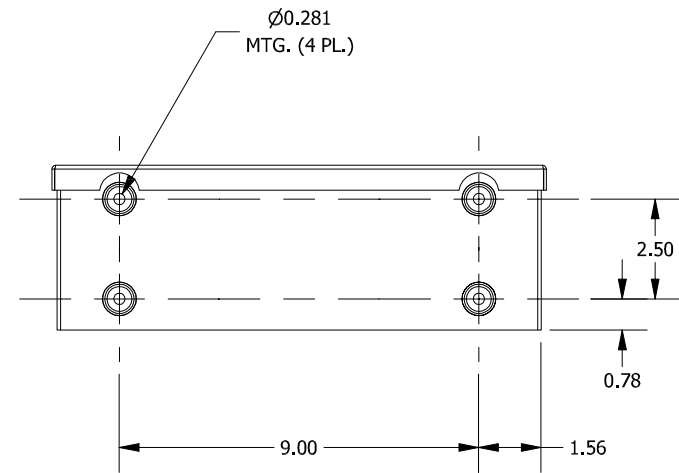
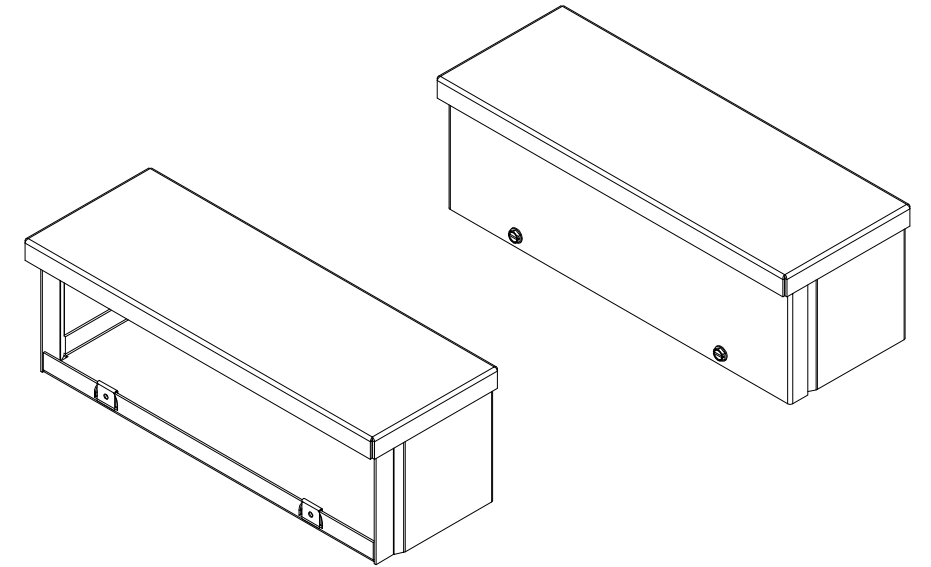


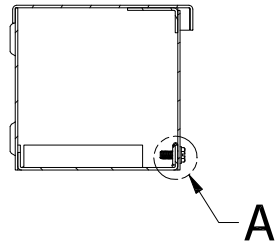
**DETAIL A (2 PL.)
(LID ATTACHMENT DETAIL)**



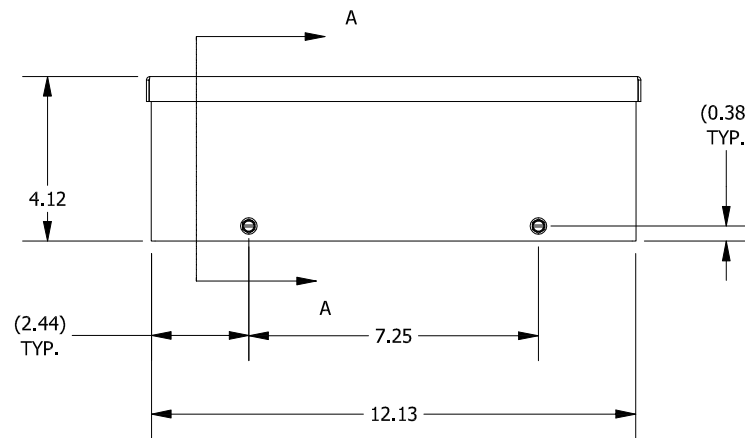
TOP VIEW



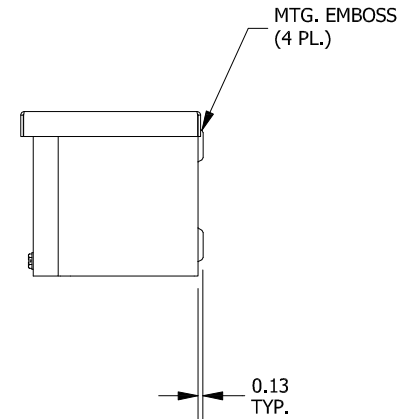
BACK VIEW



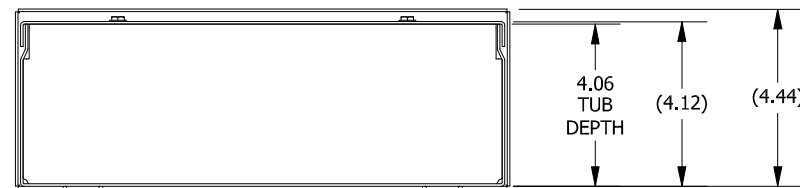
**SECTION A-A
(INSIDE RIGHT OF ENCL.)**



FRONT VIEW



RIGHT SIDE VIEW



BOTTOM VIEW

PART#: RSC G040412NK
(DATA SUBJECT TO CHANGE WITHOUT NOTICE)

THIS DRAWING IS PROPERTY OF HUBBELL INC. WIEGMANN
ALL INFORMATION IS PROPRIETARY AND NOT TO BE DUPLICATED