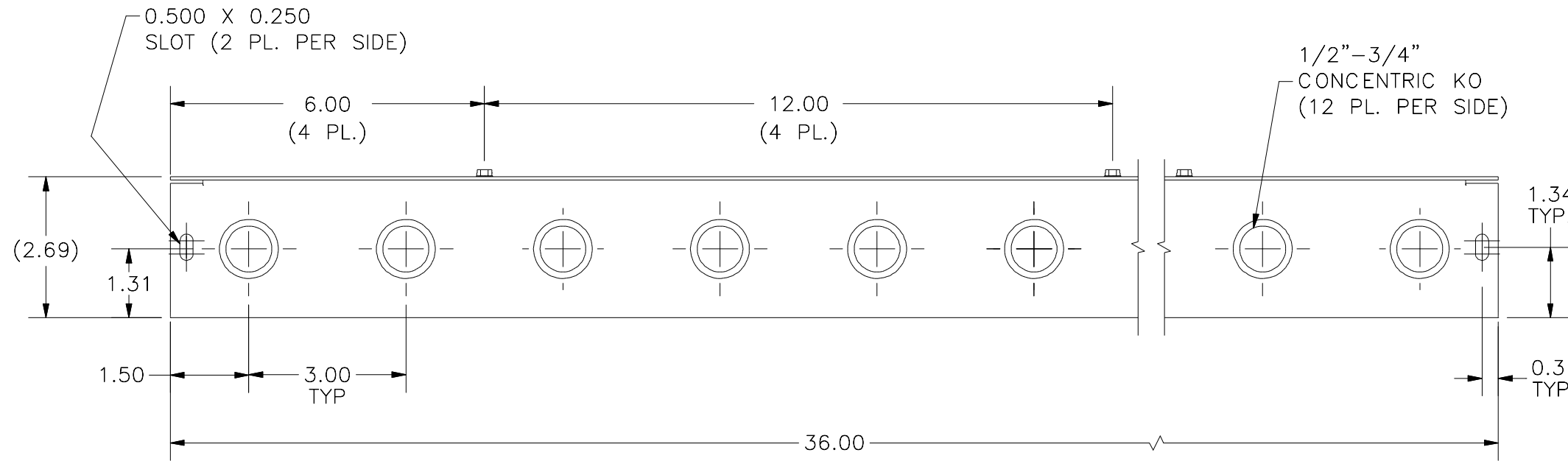
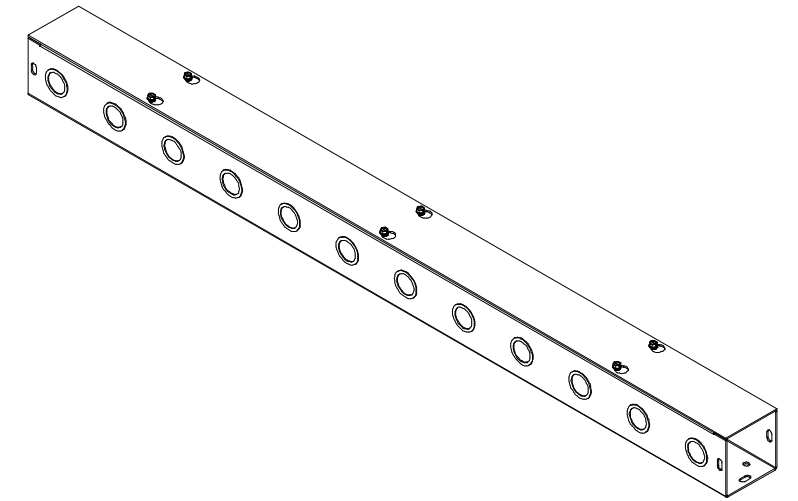


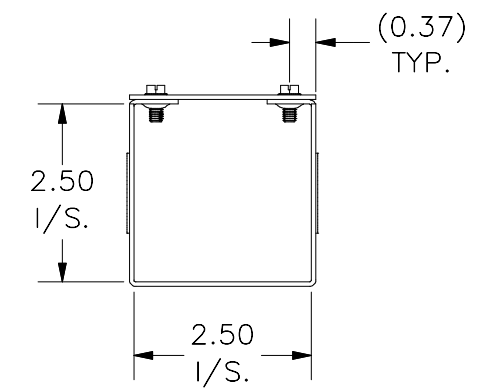
2.63  
LID  
WIDTH

TOP VIEW

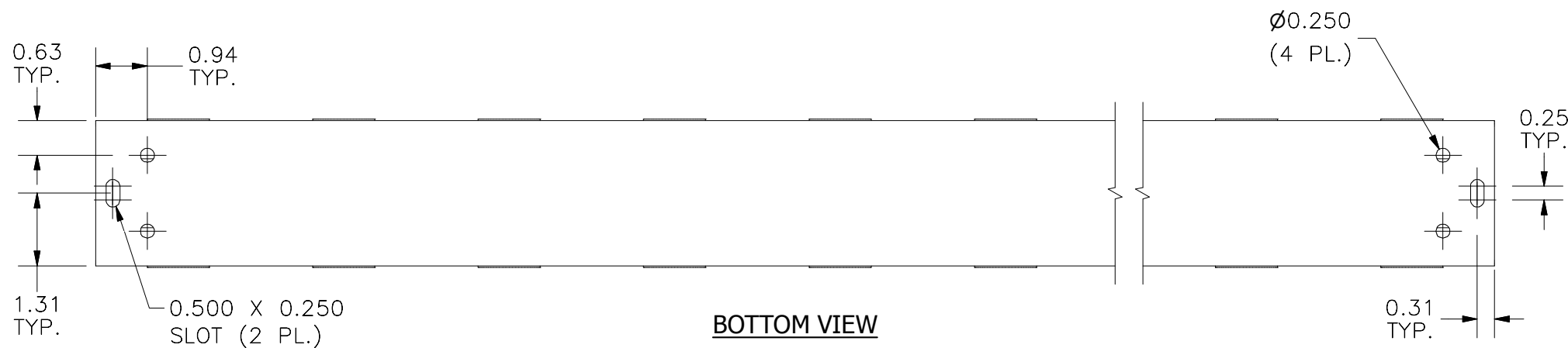
#10-32 X 3/8" SCREW,  
SELF-TAPPING (6 PL.)



FRONT VIEW



RIGHT VIEW



BOTTOM VIEW

PART#: S2236G  
(DATA SUBJECT TO CHANGE WITHOUT NOTICE)

THIS DRAWING IS PROPERTY OF HUBBELL INC. WIEGMANN  
ALL INFORMATION IS PROPRIETARY AND NOT TO BE DUPLICATED