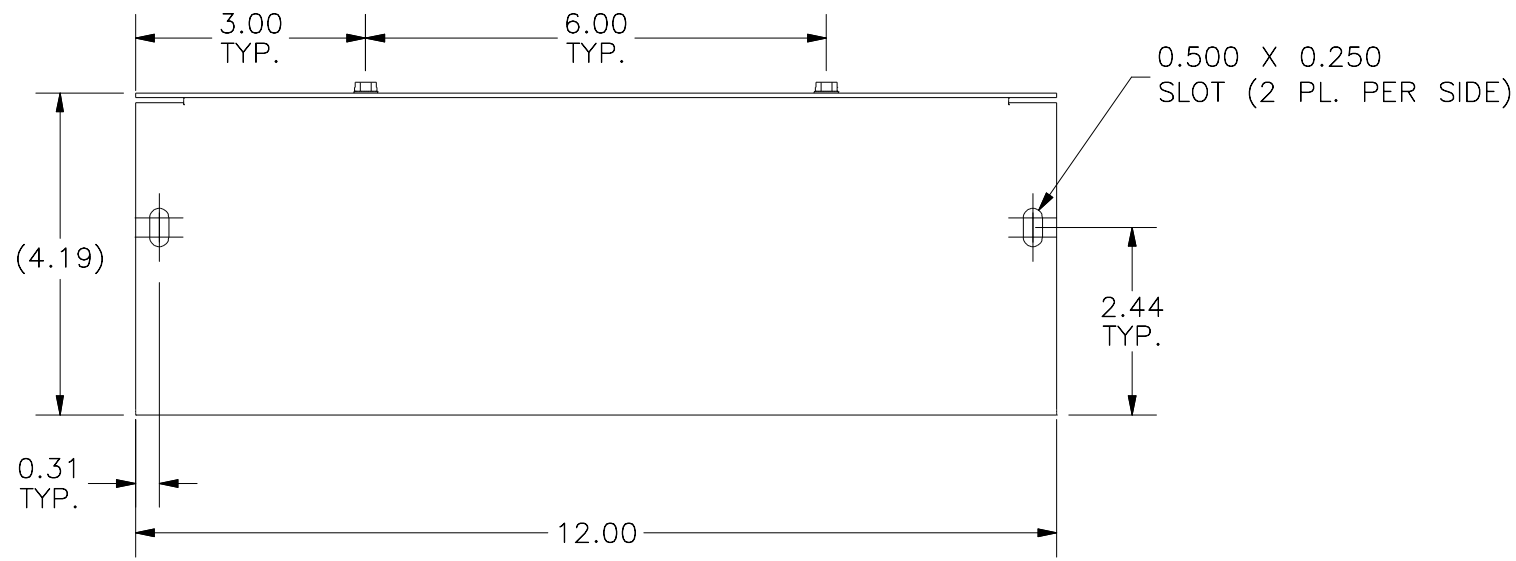
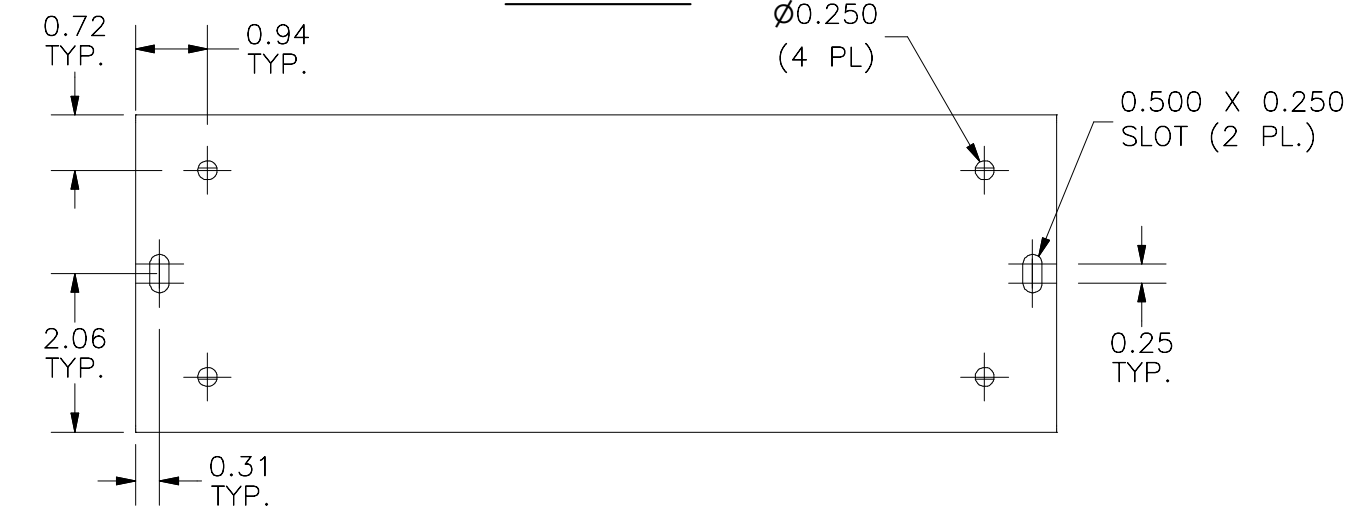


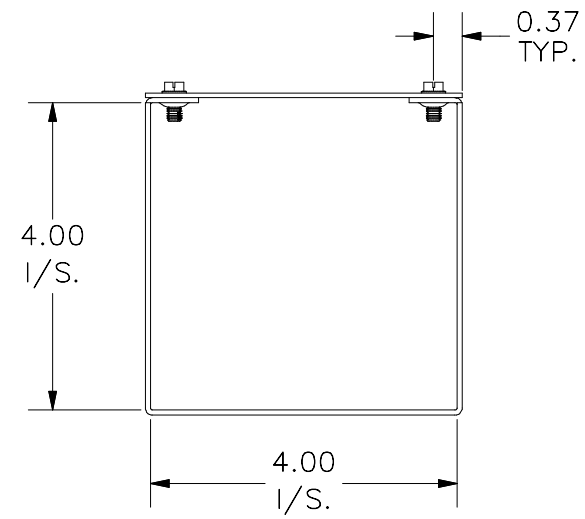
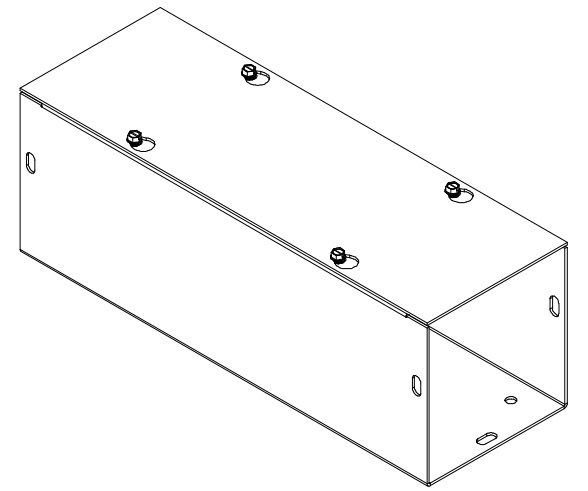
TOP VIEW



FRONT VIEW



BOTTOM VIEW



RIGHT VIEW

PART#: S4412GNK
 (DATA SUBJECT TO CHANGE WITHOUT NOTICE)

THIS DRAWING IS PROPERTY OF HUBBELL INC. WIEGMANN
 ALL INFORMATION IS PROPRIETARY AND NOT TO BE DUPLICATED