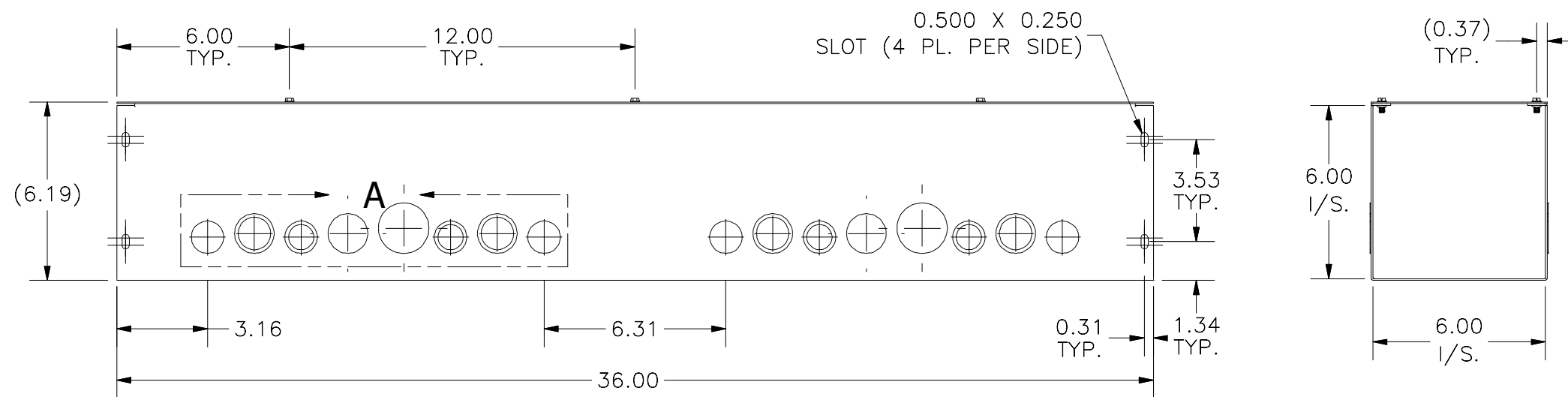
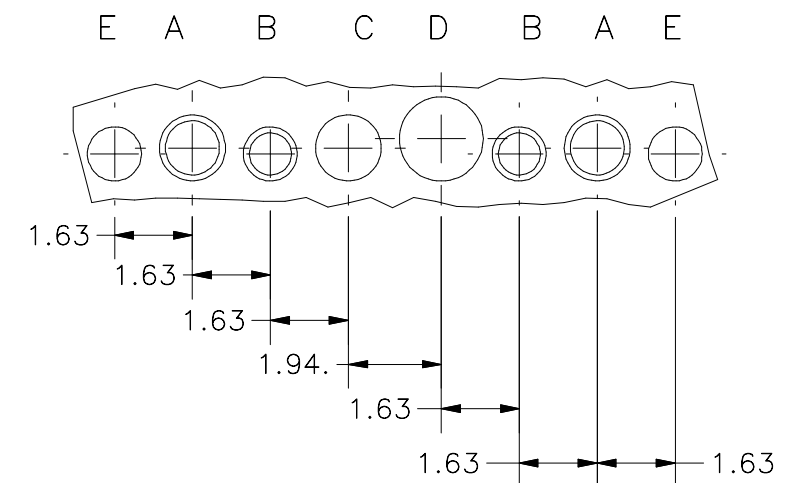
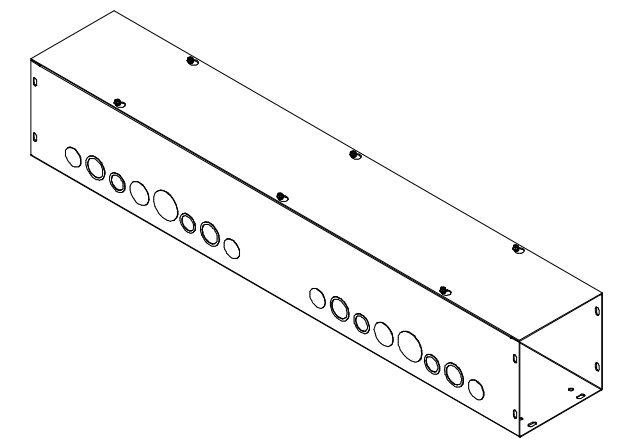


TOP VIEW



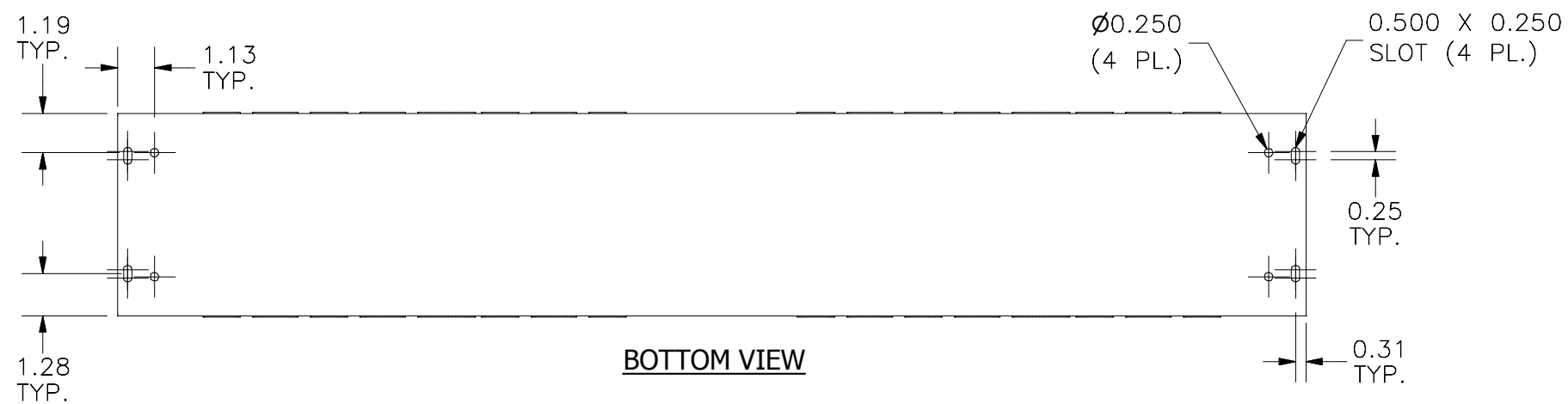
FRONT VIEW

RIGHT VIEW



DETAIL A
PATTERN DESCRIPTION (4 PL.)

- A) 3/4"-1" CONCENTRIC KO (2 PL.)
- B) 1/2"-3/4" CONCENTRIC KO (2 PL.)
- C) 1" SOLID KO (1 PL.)
- D) 1 1/4" SOLID KO (1 PL.)
- E) 3/4" SOLID KO (2 PL.)



BOTTOM VIEW

PART#: S6636G
(DATA SUBJECT TO CHANGE WITHOUT NOTICE)