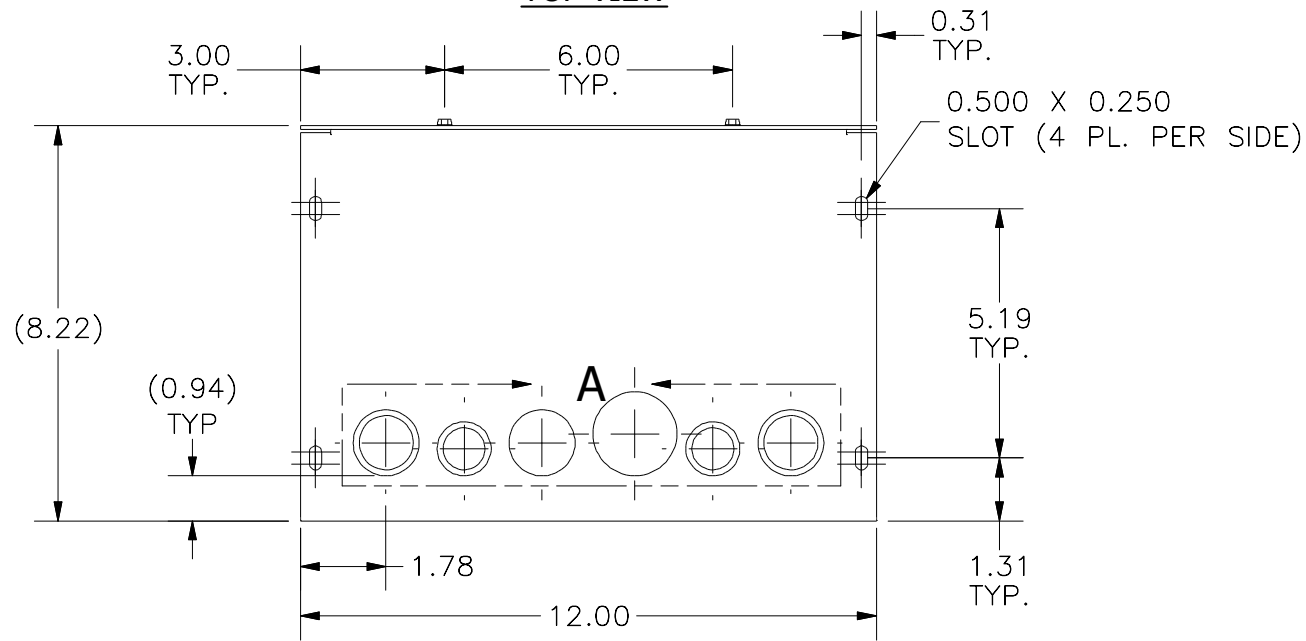
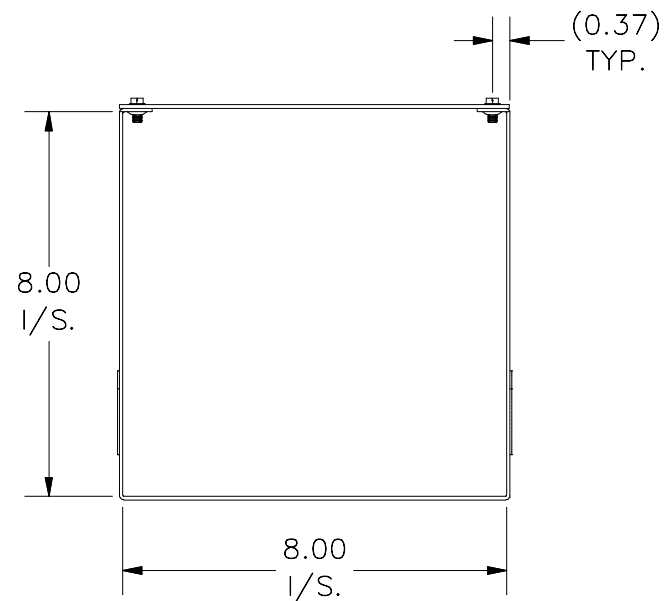


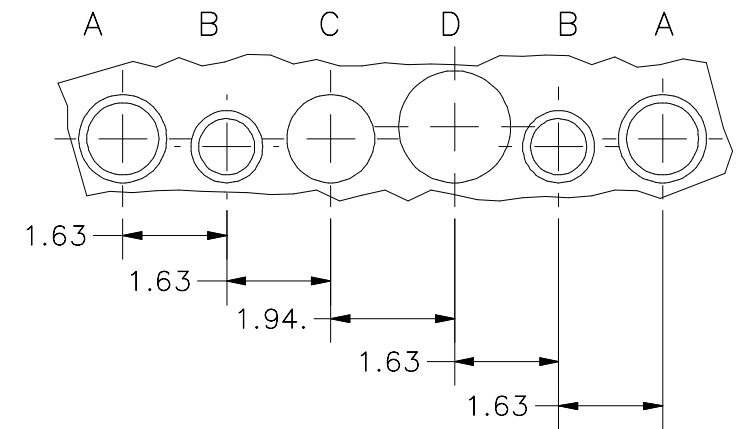
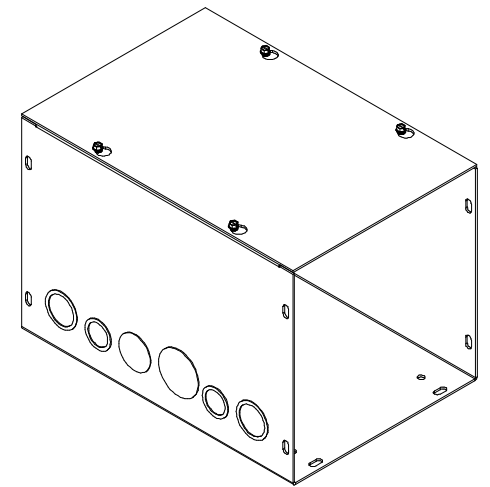
**TOP VIEW**



**FRONT VIEW**

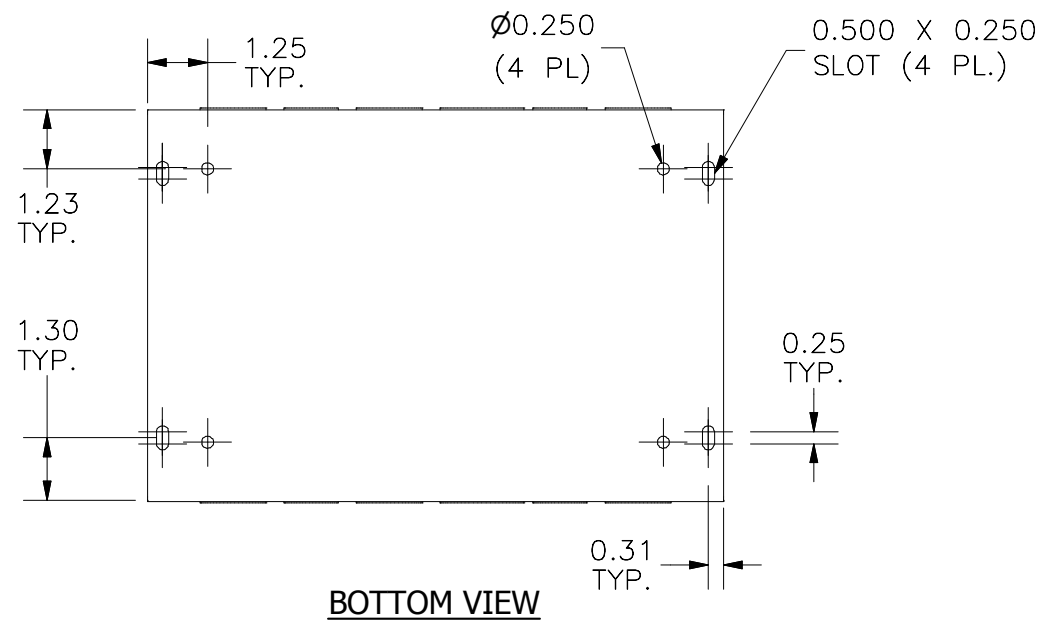


**RIGHT VIEW**



**DETAIL A (2 PL.)  
PATTERN DESCRIPTION**

- A) 3/4"-1" CONCENTRIC KO (2 PL.)
- B) 1/2"-3/4" CONCENTRIC KO (2 PL.)
- C) 1" SOLID KO
- D) 1 1/4" SOLID KO



**BOTTOM VIEW**

PART#: S8812G  
(DATA SUBJECT TO CHANGE WITHOUT NOTICE)

THIS DRAWING IS PROPERTY OF HUBBELL INC. WIEGMANN  
ALL INFORMATION IS PROPRIETARY AND NOT TO BE DUPLICATED