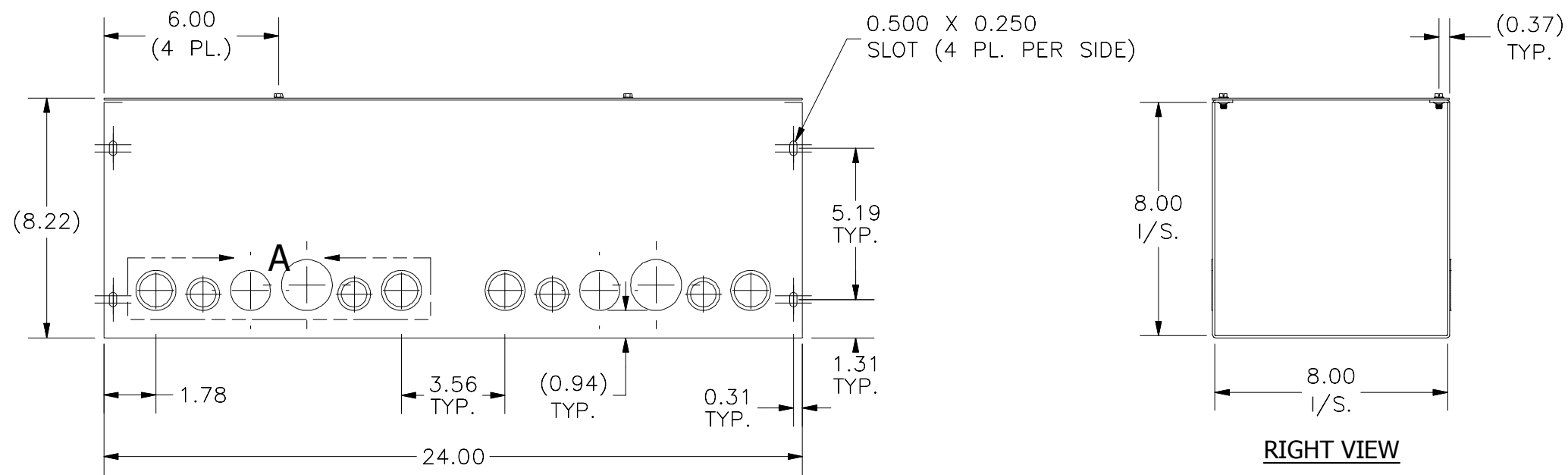
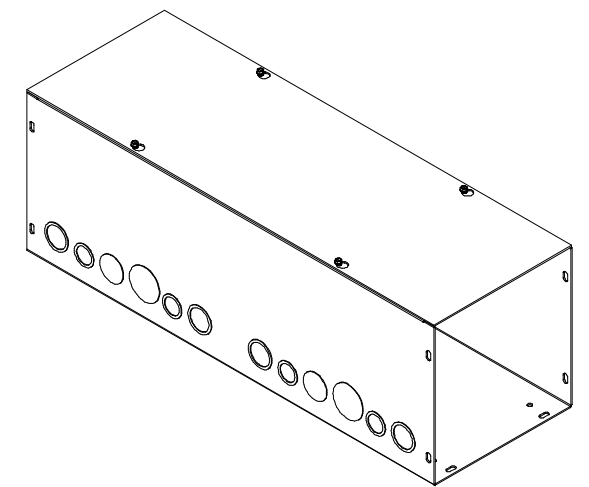
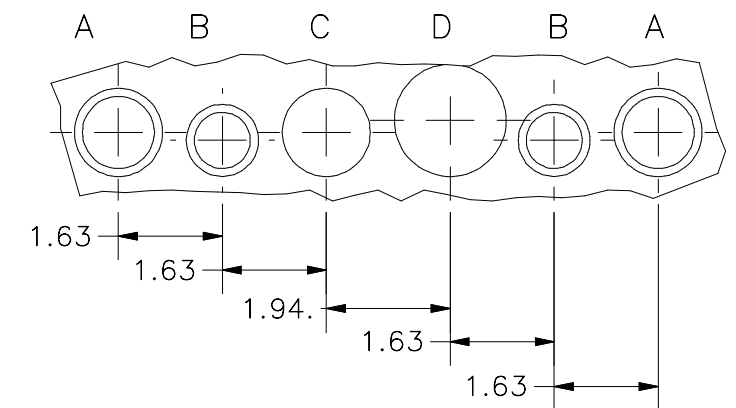


TOP VIEW



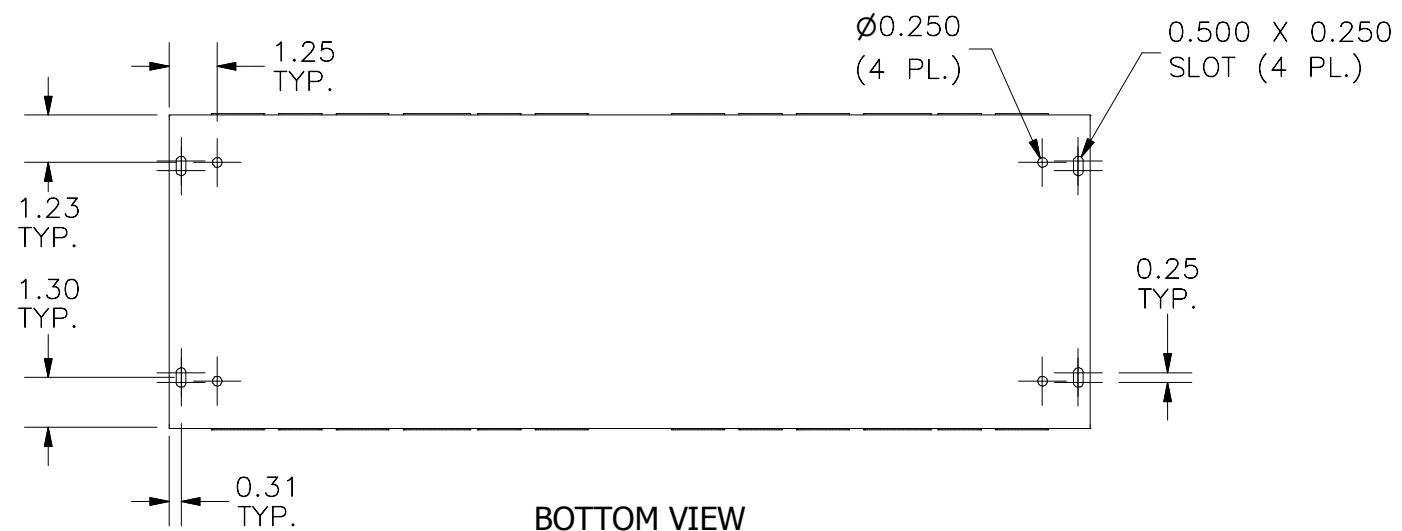
FRONT VIEW

RIGHT VIEW



DETAIL A
PATTERN DESCRIPTION (4 PL.)

- A) 3/4"-1" CONCENTRIC KO (2 PL.)
- B) 1/2"-3/4" CONCENTRIC KO (2 PL.)
- C) 1" SOLID KO
- D) 1 1/4" SOLID KO



BOTTOM VIEW

PART#: S8824
(DATA SUBJECT TO CHANGE WITHOUT NOTICE)

THIS DRAWING IS PROPERTY OF HUBBELL INC. WIEGMANN
ALL INFORMATION IS PROPRIETARY AND NOT TO BE DUPLICATED