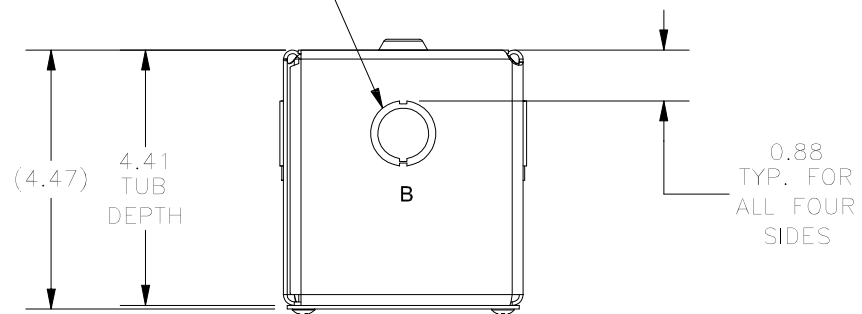
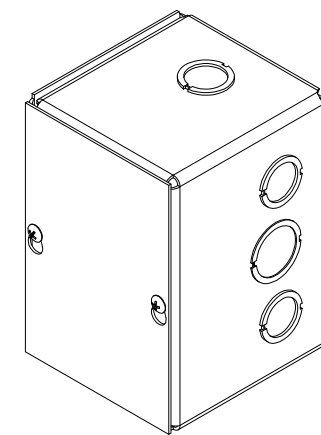


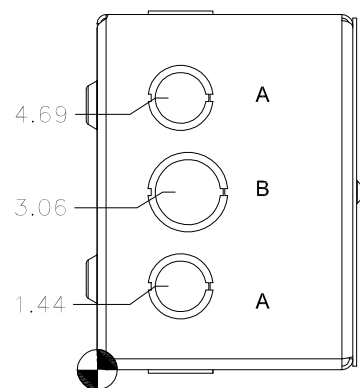
TOP KO DIMENSIONS ARE IDENTICAL TO BOTTOM KO DIMENSIONS



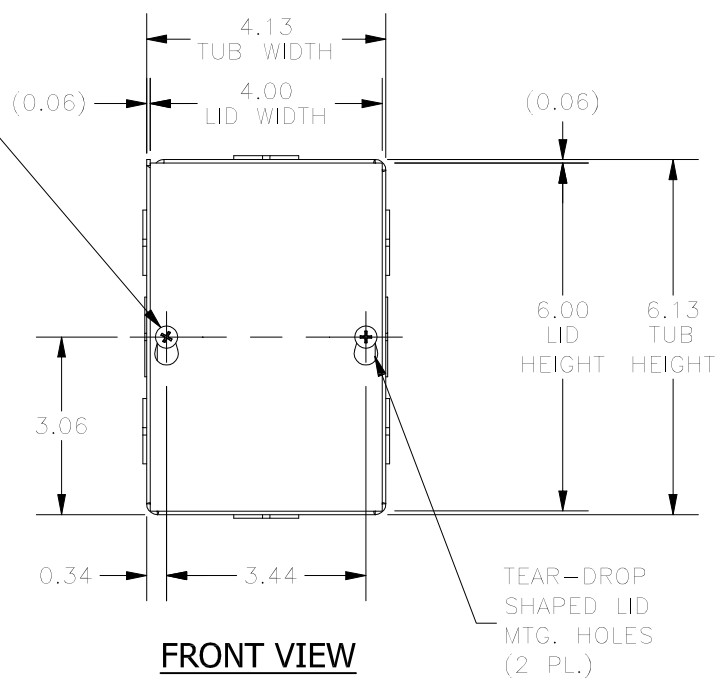
TOP VIEW



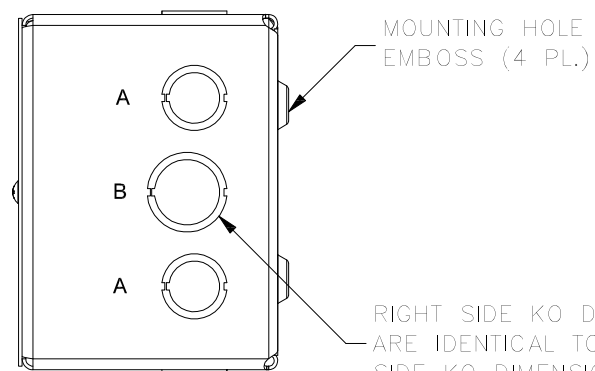
#2-32 X 3/8" ZINC PLATED, TYPE 23 SELF TAPPING, COMBINATION TRUSS HEAD SCREW (2 PL.)



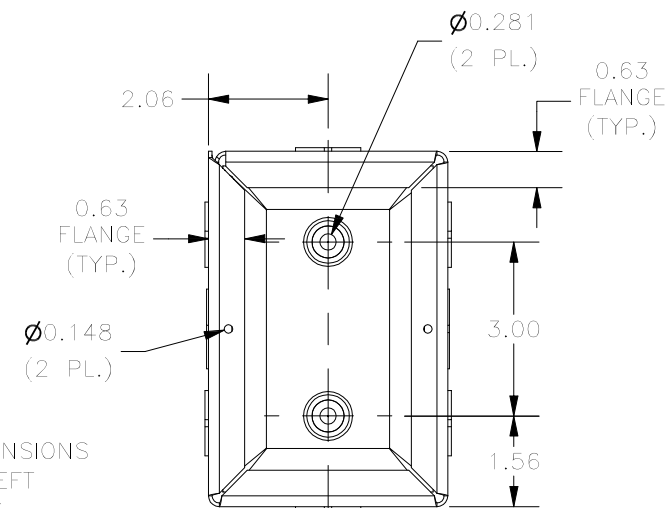
LEFT SIDE VIEW



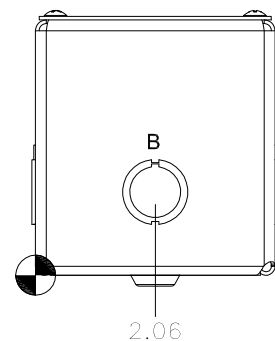
FRONT VIEW



RIGHT SIDE VIEW



FRONT VIEW LID REMOVED



BOTTOM VIEW

PART#: SC040604
 (DATA SUBJECT TO CHANGE WITHOUT NOTICE)

THIS DRAWING IS PROPERTY OF HUBBELL INC. WIEGMANN
 ALL INFORMATION IS PROPRIETARY AND NOT TO BE DUPLICATED