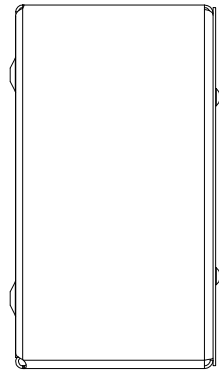
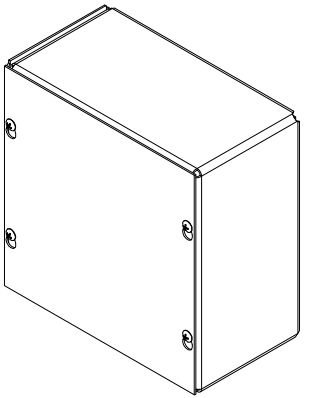
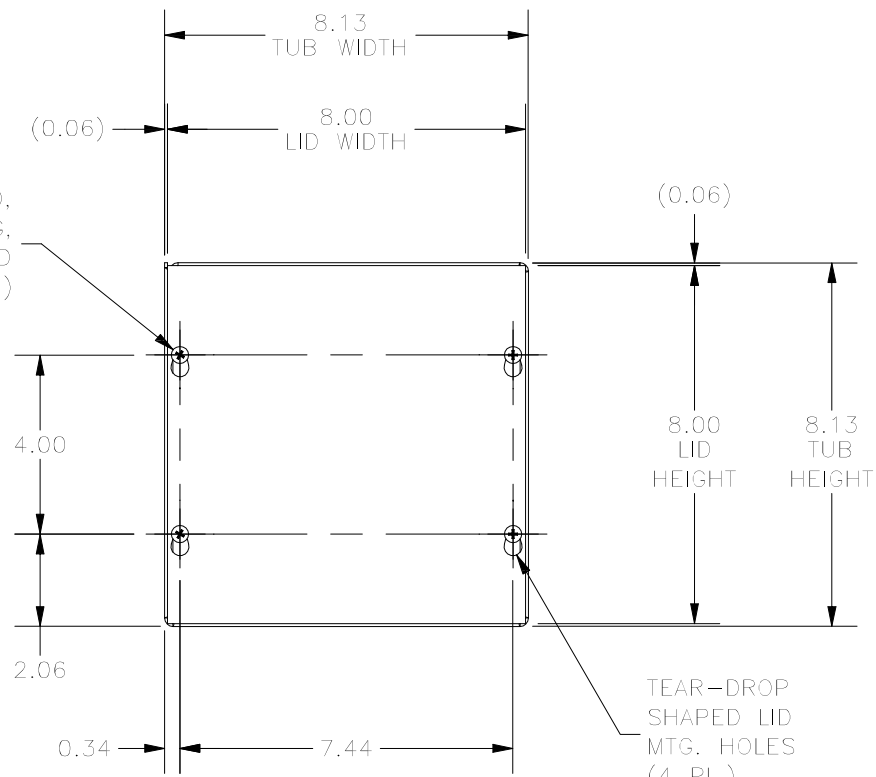


TOP VIEW

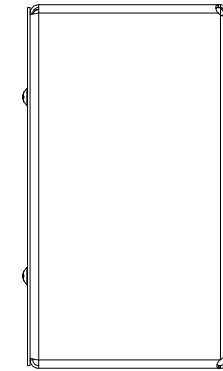


LEFT SIDE VIEW

#8-32 X 3/8" ZINC PLATED,  
TYPE 23 SELF TAPPING,  
COMBINATION TRUSS HEAD  
SCREW (4 PL.)

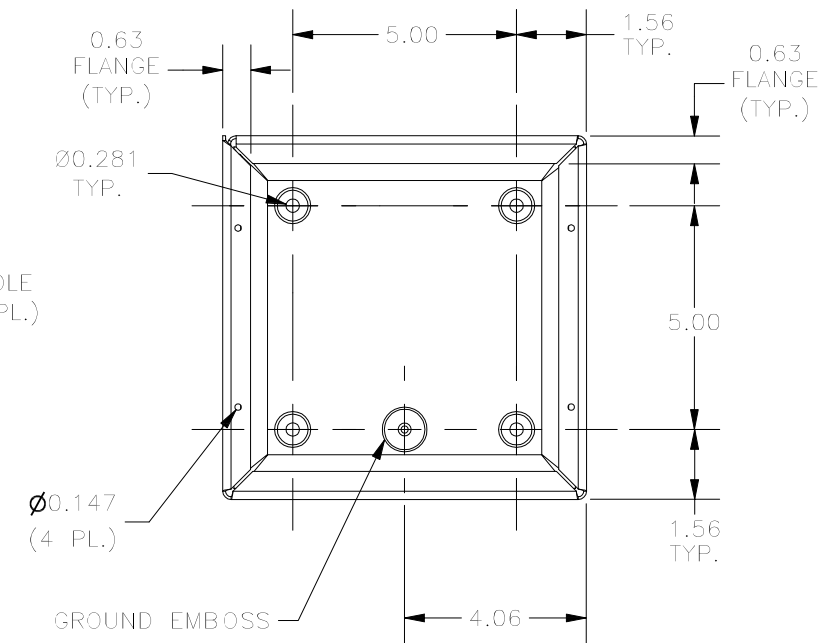


FRONT VIEW

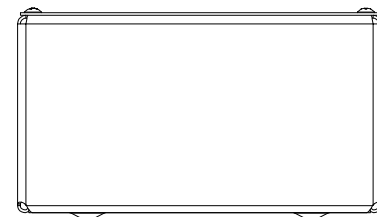


RIGHT SIDE VIEW

MOUNTING HOLE  
EMBOSS (4 PL.)



FRONT VIEW LID REMOVED



BOTTOM VIEW

PART#: SC080804NK  
(DATA SUBJECT TO CHANGE WITHOUT NOTICE)

THIS DRAWING IS PROPERTY OF HUBBELL INC. WIEGMANN  
ALL INFORMATION IS PROPRIETARY AND NOT TO BE DUPLICATED