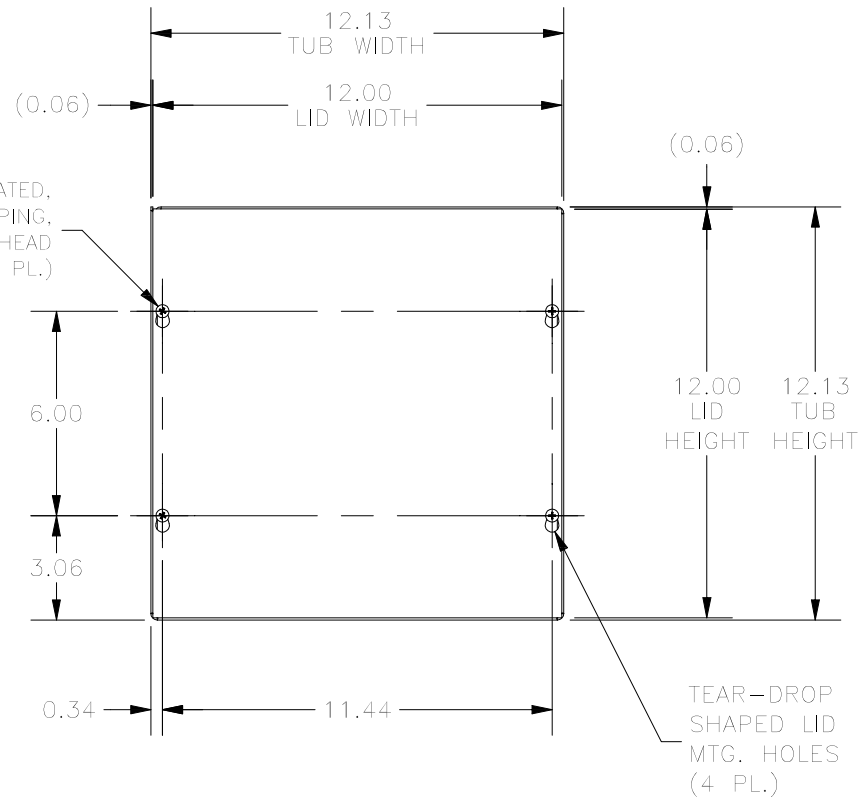
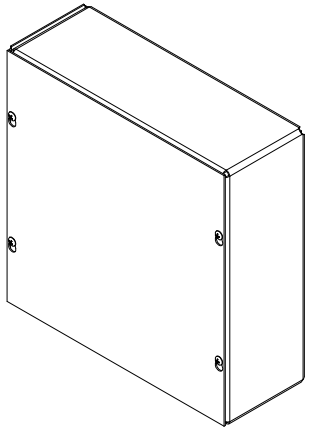


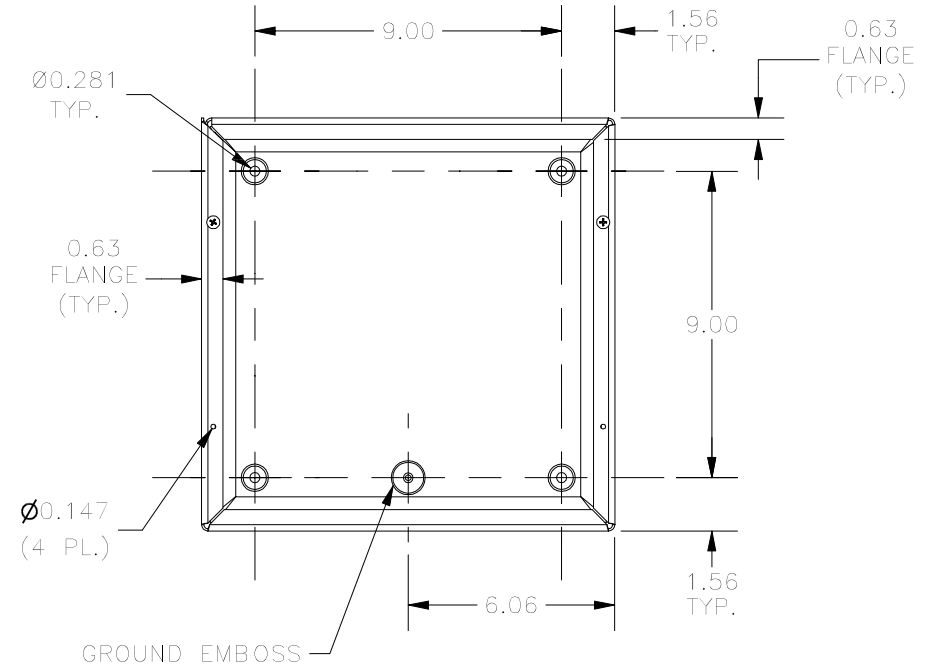
TOP VIEW



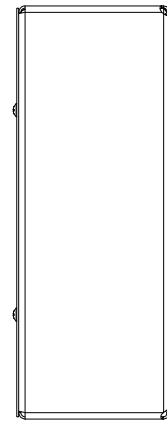
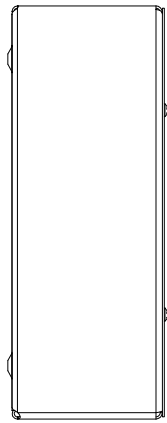
FRONT VIEW

#8-32 X 3/8" ZINC PLATED,  
TYPE 23 SELF TAPPING,  
COMBINATION TRUSS HEAD  
SCREW (4 PL.)

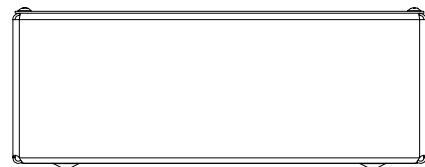
MOUNTING HOLE  
EMBOSS (4 PL.)



FRONT VIEW LID REMOVED



RIGHT SIDE VIEW



BOTTOM VIEW

LEFT SIDE VIEW

PART#: SC121204NK  
(DATA SUBJECT TO CHANGE WITHOUT NOTICE)

THIS DRAWING IS PROPERTY OF HUBBELL INC. WIEGMANN  
ALL INFORMATION IS PROPRIETARY AND NOT TO BE DUPLICATED