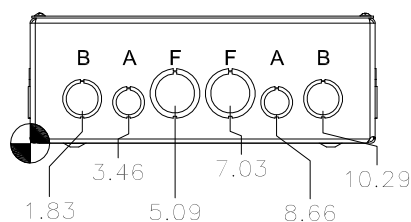
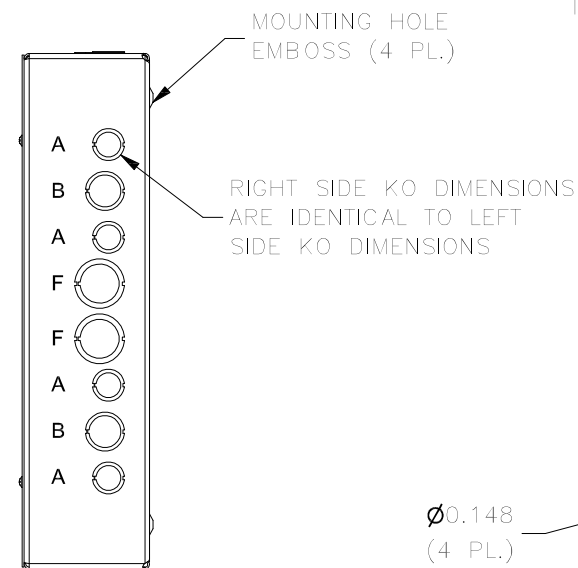


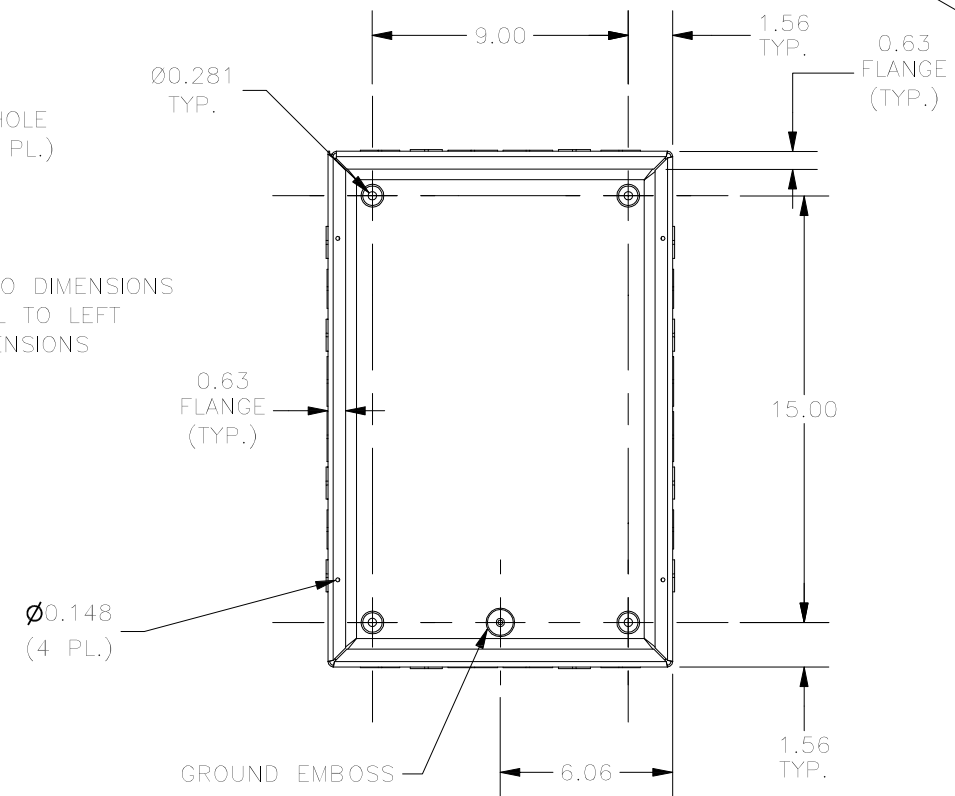
FRONT VIEW



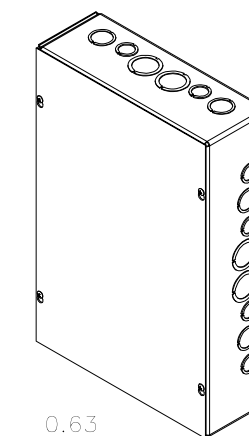
BOTTOM VIEW



RIGHT SIDE VIEW



FRONT VIEW LID REMOVED



LEFT SIDE VIEW

PART#: SC121804
(DATA SUBJECT TO CHANGE WITHOUT NOTICE)

THIS DRAWING IS PROPERTY OF HUBBELL INC. WIEGMANN
ALL INFORMATION IS PROPRIETARY AND NOT TO BE DUPLICATED