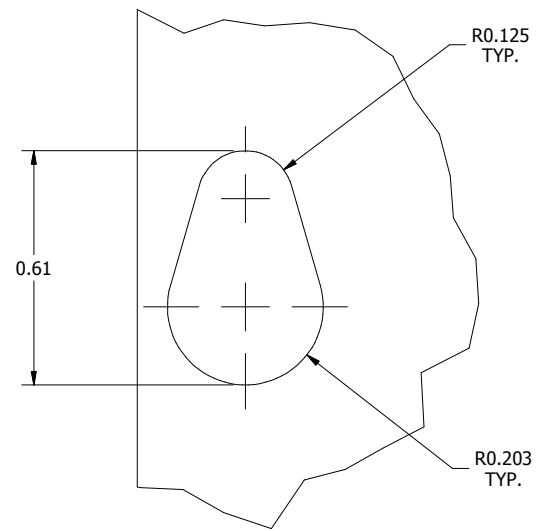
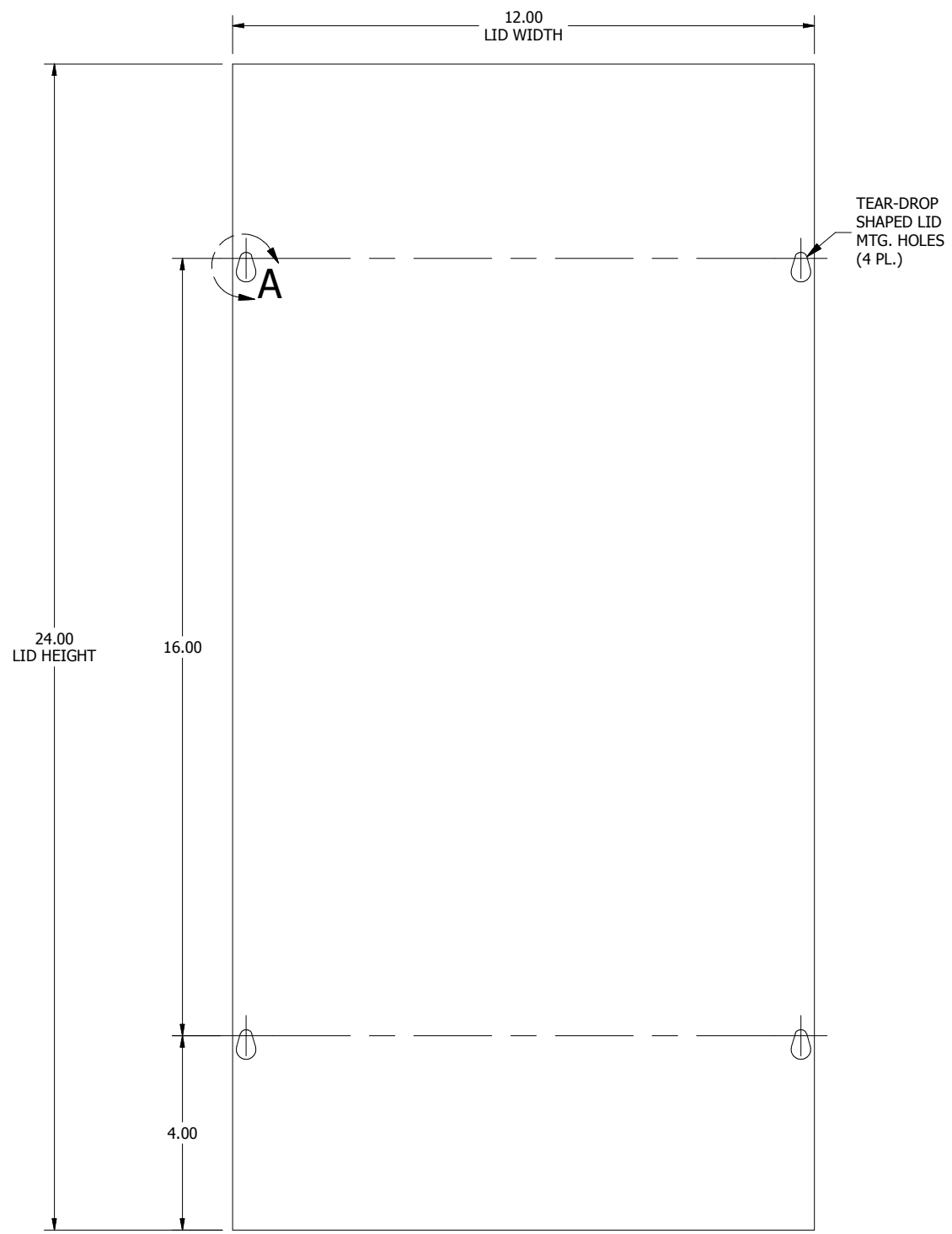


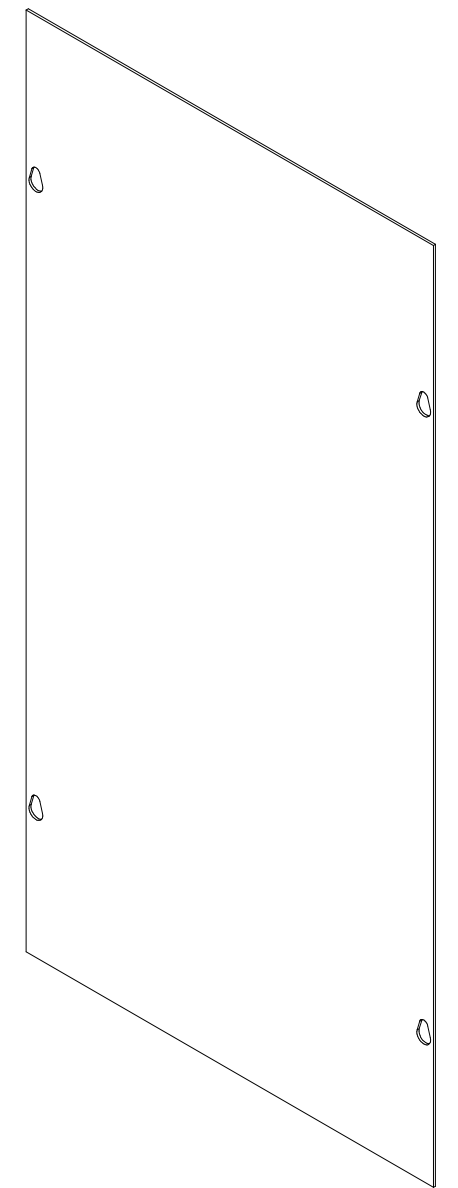
SIDE VIEW



DETAIL A
(MTG HOLES DETAIL VIEW)



FRONT VIEW



PART#: SC 1224G
(DATA SUBJECT TO CHANGE WITHOUT NOTICE)

THIS DRAWING IS PROPERTY OF HUBBELL INC. WIEGMANN
ALL INFORMATION IS PROPRIETARY AND NOT TO BE DUPLICATED