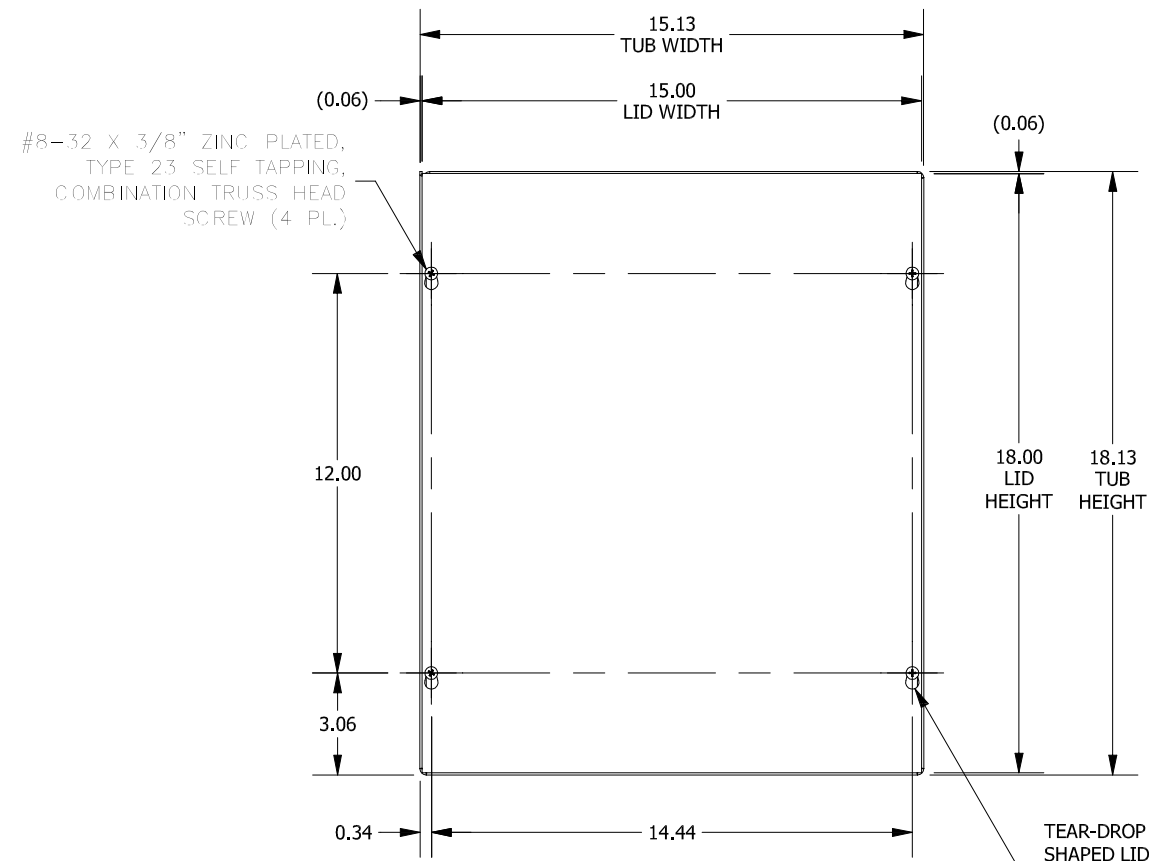
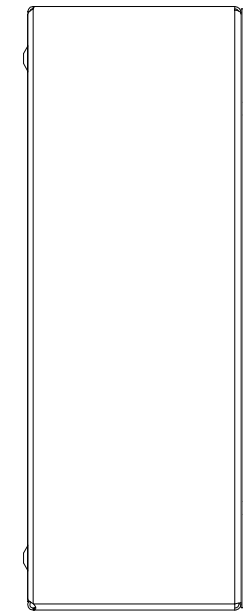


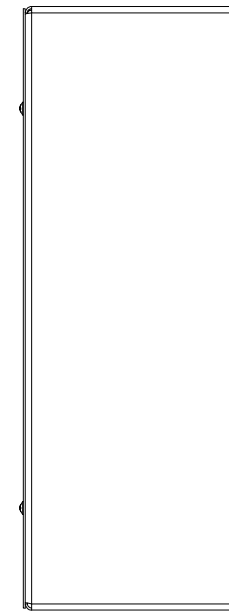
TOP VIEW



FRONT VIEW



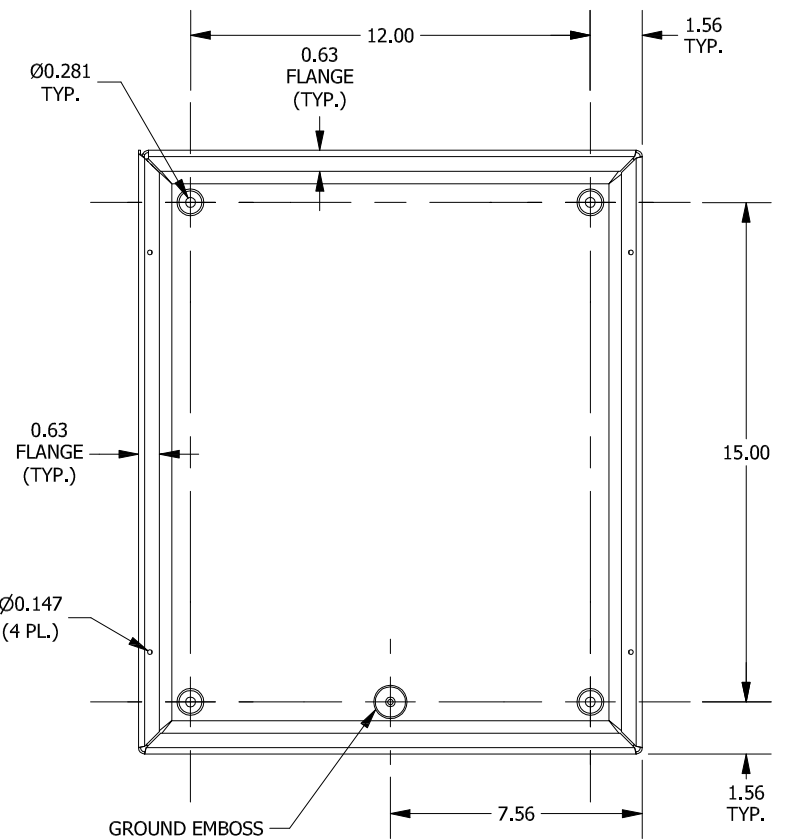
LEFT SIDE VIEW



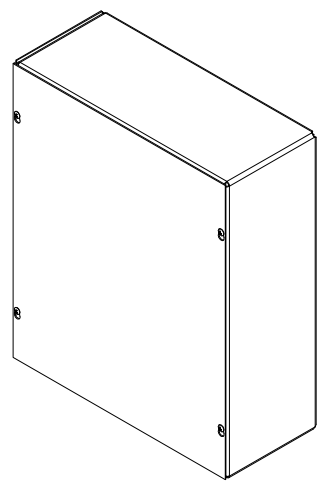
RIGHT SIDE VIEW



BOTTOM VIEW



FRONT VIEW LID REMOVED



PART#: SC151806NK
 (DATA SUBJECT TO CHANGE WITHOUT NOTICE)

THIS DRAWING IS PROPERTY OF HUBBELL INC. WIEGMANN
 ALL INFORMATION IS PROPRIETARY AND NOT TO BE DUPLICATED