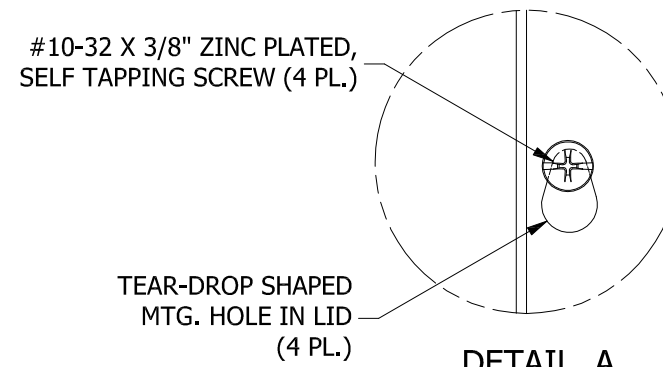
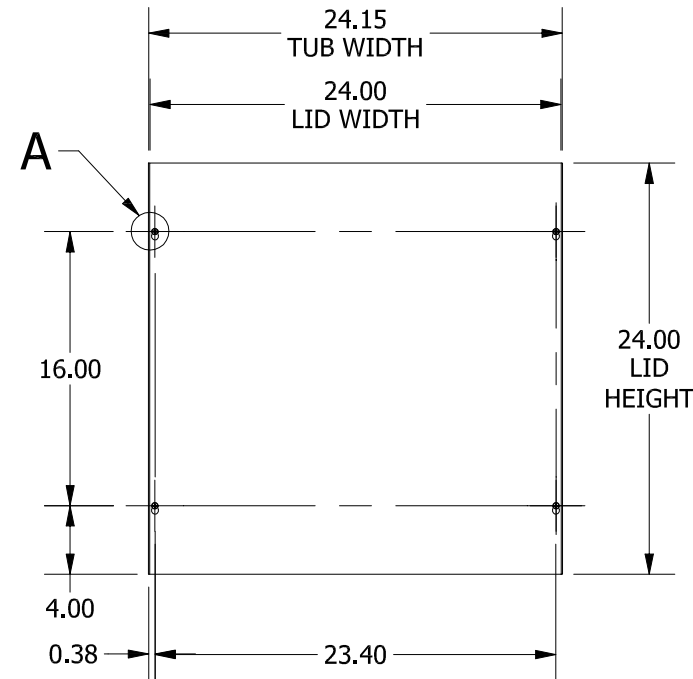
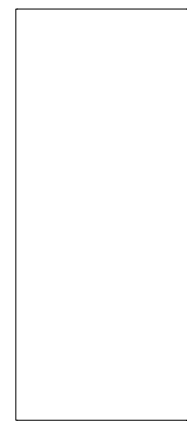
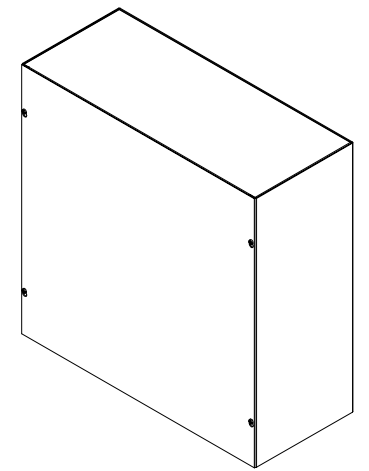


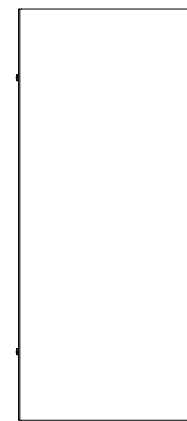
TOP VIEW



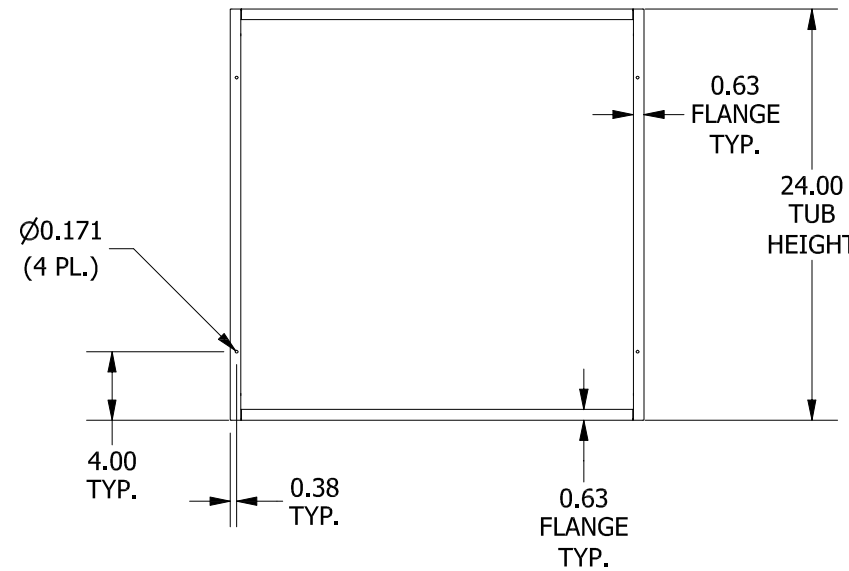
DETAIL A



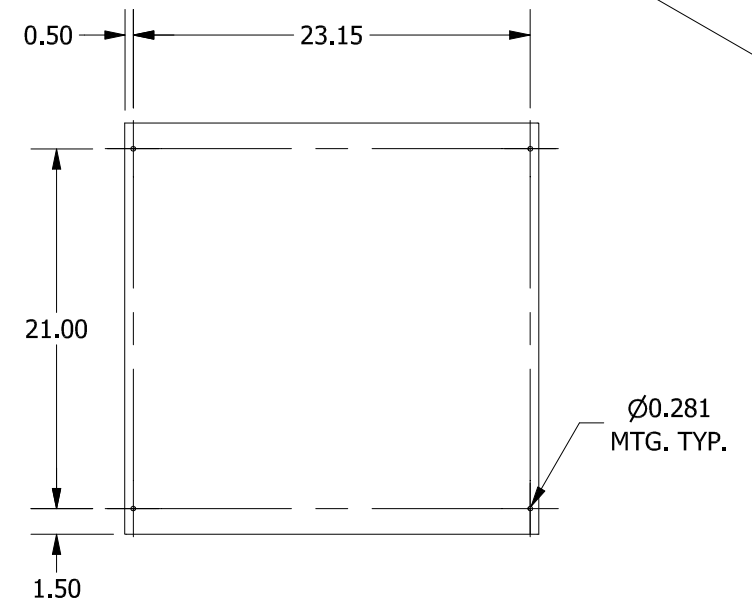
FRONT VIEW



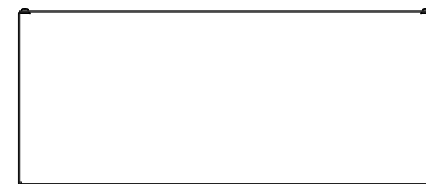
RIGHT SIDE VIEW



FRONT VIEW LID REMOVED



BACK VIEW



BOTTOM VIEW

LEFT SIDE VIEW

PART#: SC242410NK
 (DATA SUBJECT TO CHANGE WITHOUT NOTICE)

THIS DRAWING IS PROPERTY OF HUBBELL INC. WIEGMANN
 ALL INFORMATION IS PROPRIETARY AND NOT TO BE DUPLICATED