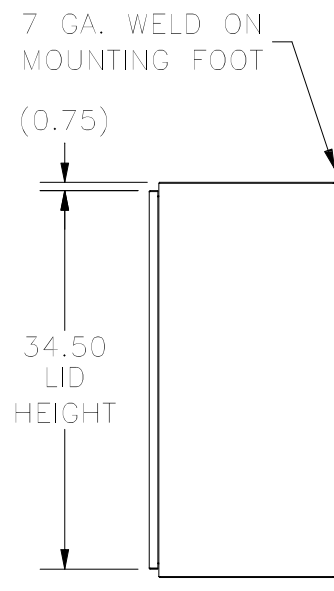
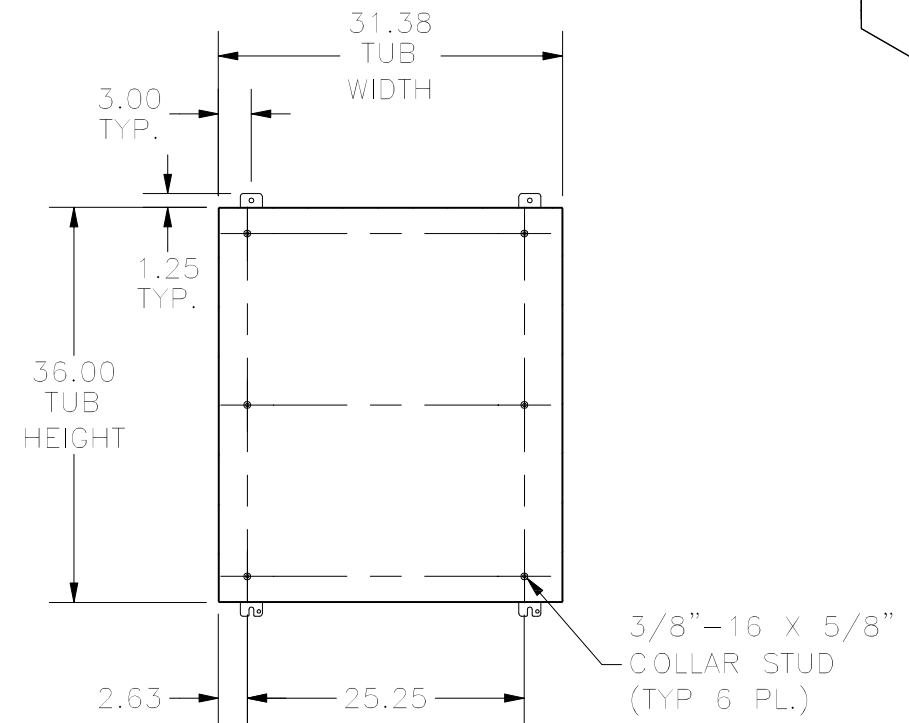


**LEFT SIDE**

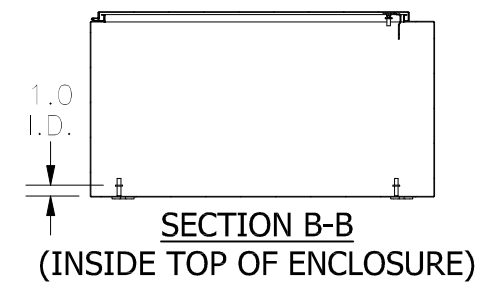
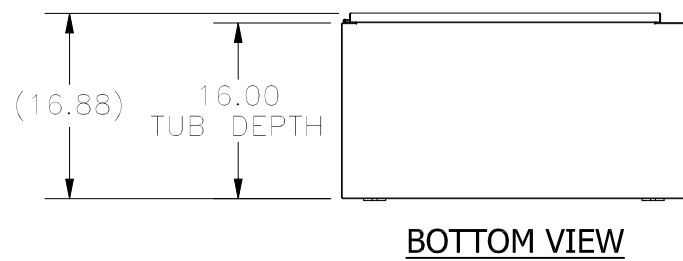
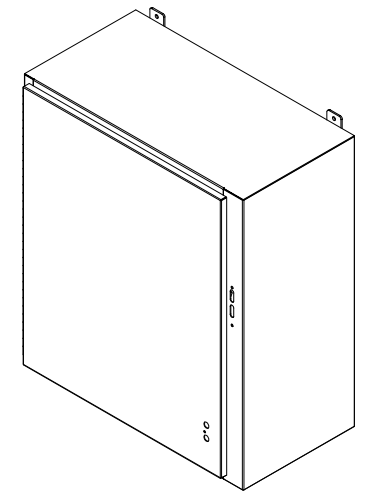
**FRONT VIEW**



**RIGHT SIDE**



**SECTION A-A  
(INSIDE BACK OF TUB)**



PART#: SDN12363116  
(DATA SUBJECT TO CHANGE WITHOUT NOTICE)

THIS DRAWING IS PROPERTY OF HUBBELL INC. WIEGMANN  
ALL INFORMATION IS PROPRIETARY AND NOT TO BE DUPLICATED