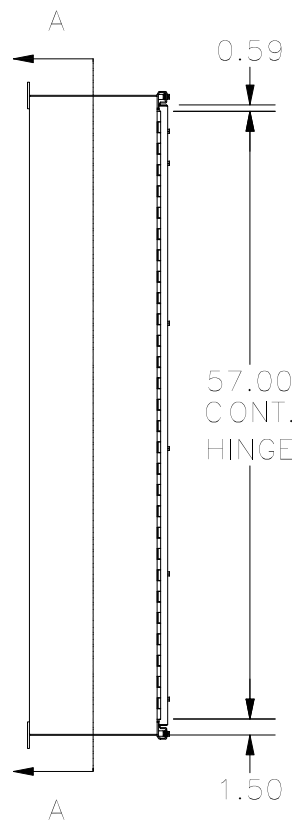
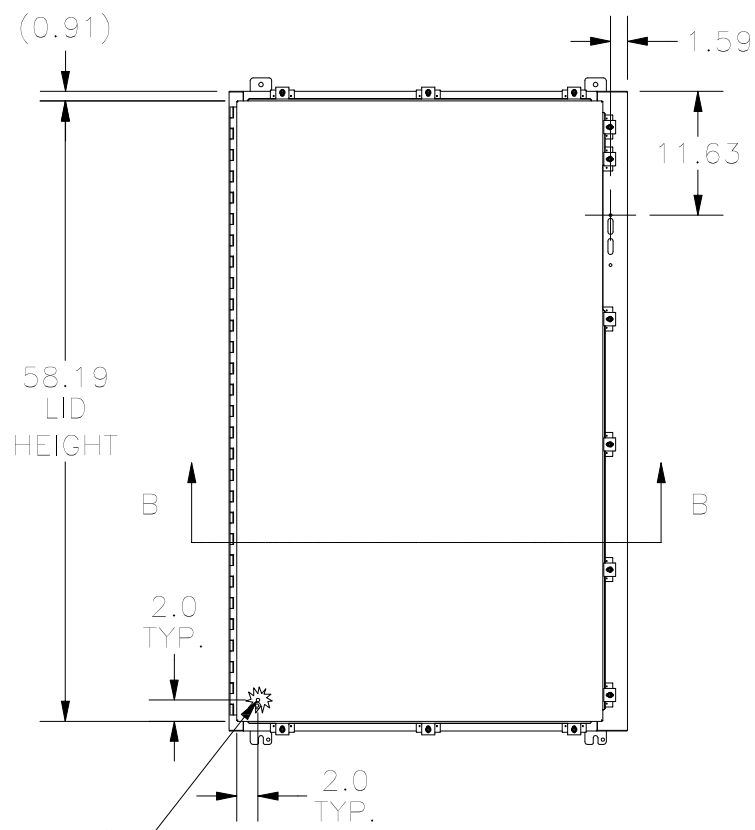


**TOP VIEW**

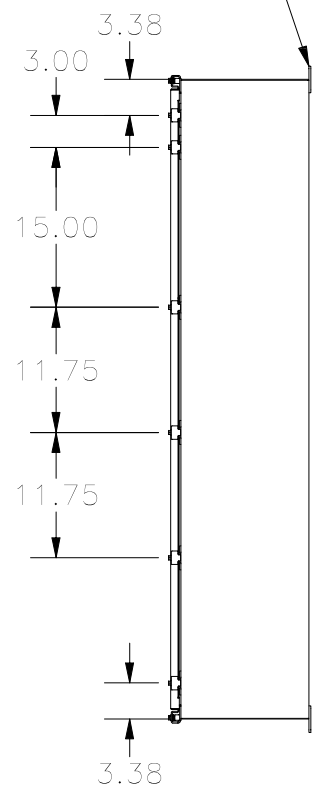


**LEFT SIDE**

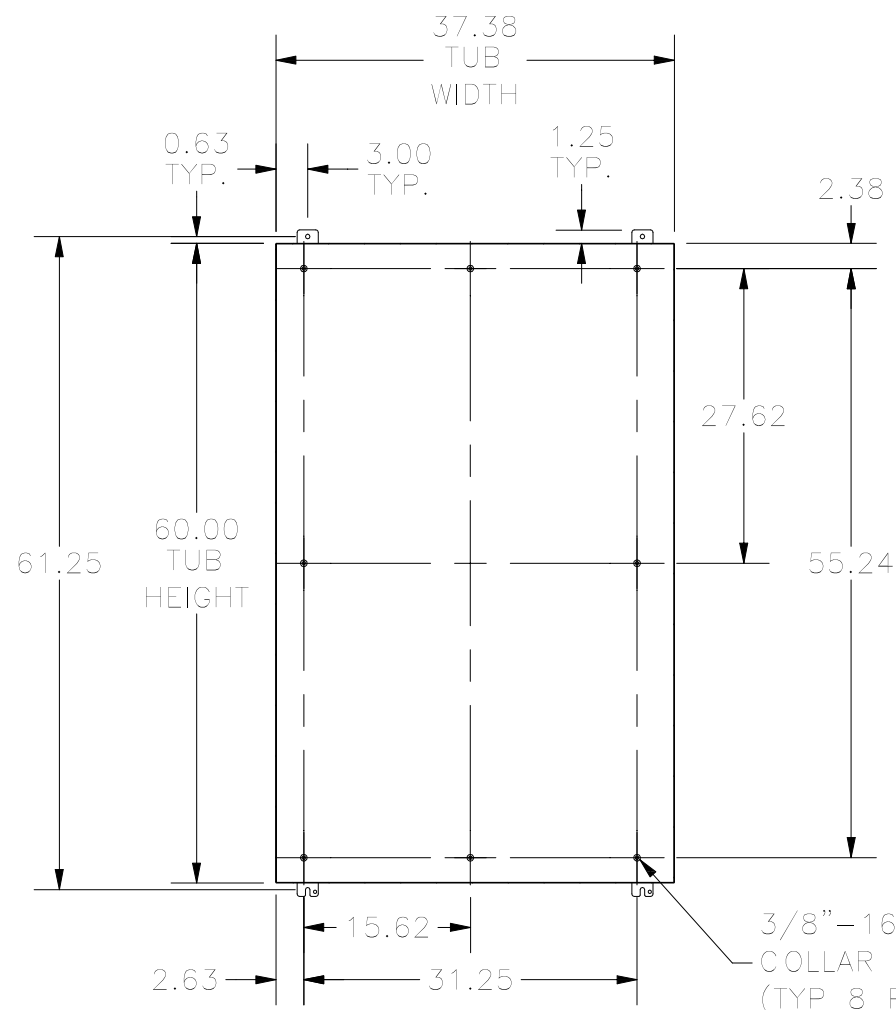


**FRONT VIEW**

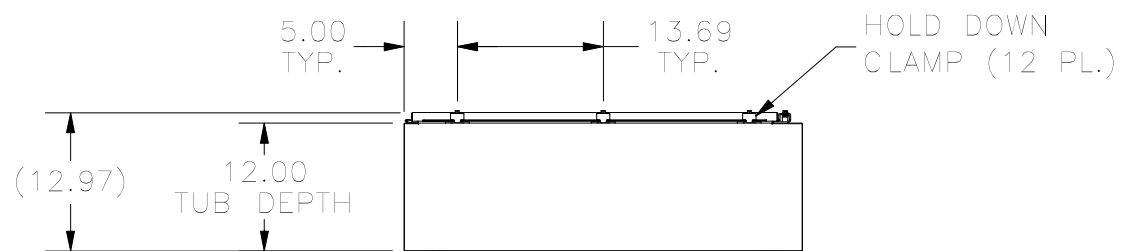
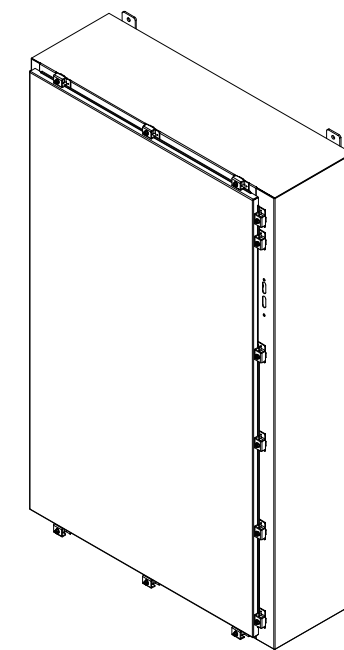
7 GA. WELD ON MOUNTING FOOT



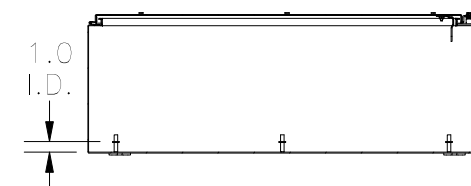
**RIGHT SIDE**



**SECTION A-A  
(INSIDE BACK OF TUB)**



**BOTTOM VIEW**



**SECTION B-B  
(INSIDE TOP OF ENCLOSURE)**

PART#: SN4603712  
(DATA SUBJECT TO CHANGE WITHOUT NOTICE)

THIS DRAWING IS PROPERTY OF HUBBELL INC. WIEGMANN  
ALL INFORMATION IS PROPRIETARY AND NOT TO BE DUPLICATED