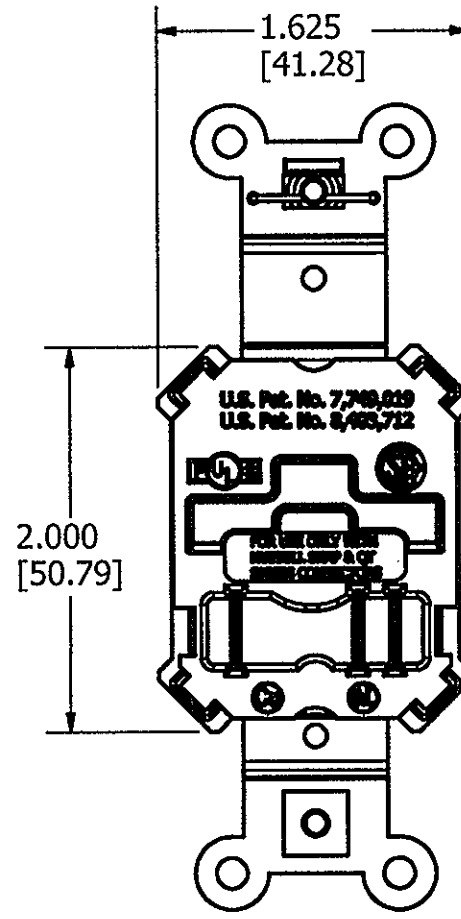
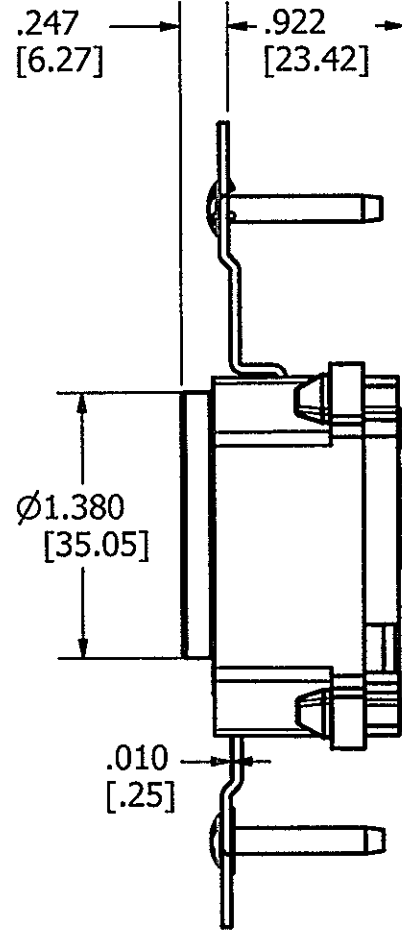
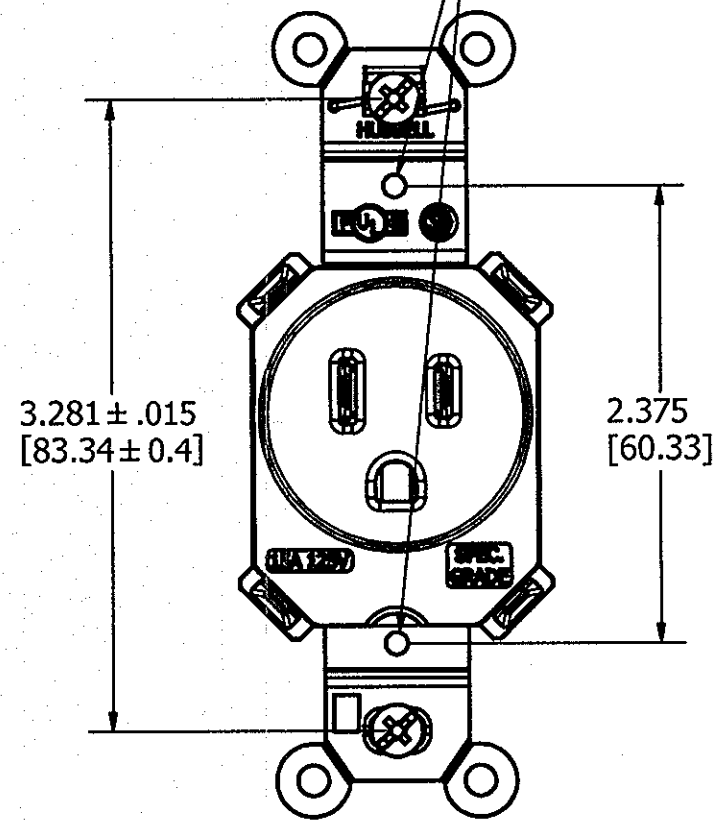


M-13070

1

6-32 UNC TAPPED HOLES FOR WALL PLATE SCREWS



SHOWN 15A RECEPTACLE

RATING	BROWN	IVORY	GRAY	WHITE	BLACK	ALMOND	LIGHT ALMOND	RED	BLUE
15A	SNAP5261	SNAP5261I	SNAP5261GY	SNAP5261W	SNAP5261BK	SNAP5261AL	SNAP5261LA	SNAP5261R	SNAP5261BL
20A	SNAP5361	SNAP5361I	SNAP5361GY	SNAP5361W	SNAP5361BK	SNAP5361AL	SNAP5361LA	SNAP5361R	SNAP5361BL

NOTES:
 1. DIMENSIONS ARE IN INCHES [MM].
 2. ALL DEVICES UL LISTED AND CSA CERTIFIED.

LIST OF PARTS

DESCRIPTION	MATERIAL	FINISH
TOP	NYLON 6/6	SPI A-3
BASE	NYLON 6/6	SPI A-3
LINE CONTACTS	BRASS	
GROUND CONTACT	BRASS	
BRIDGE	.04 GALV STL	
STAPLE	S.S.	
WASHER	PVC FILM	BLACK
MOUNTING SCREWS	STEEL	ZINC PLT

DIMENSION SHEET FOR CAT. NO. SEE TABLE REPAIRABLE NON-REPAIRABLE

1	RELEASED PER DCN21263 EB	TLS	07/06/2015
SYM	DESCRIPTION	APPRO	DATE

THE DESIGN AND DIMENSIONS OF THE PRODUCT SHOWN ON THIS DRAWING ARE SUBJECT TO CHANGE WITHOUT NOTICE

TITLE
 SINGLE SNAP CONNECT RECEPTACLE, 15/20A 125V SPEC. GRADE, NON TR

TOLERANCES UNLESS OTHERWISE SPECIFIED	WIRING DEVICE-KELLEMS HUBBELL INCORPORATED SHELTON, CT	
FRACTIONS ±1/64	DR. BY ebazayev	APP. BY TLS
DECIMALS ±.005	TR. BY	SCALE 1:1
ANGLES ±2°	CHK'D BY TLS	DATE 7/6/2015

B M-13070 1