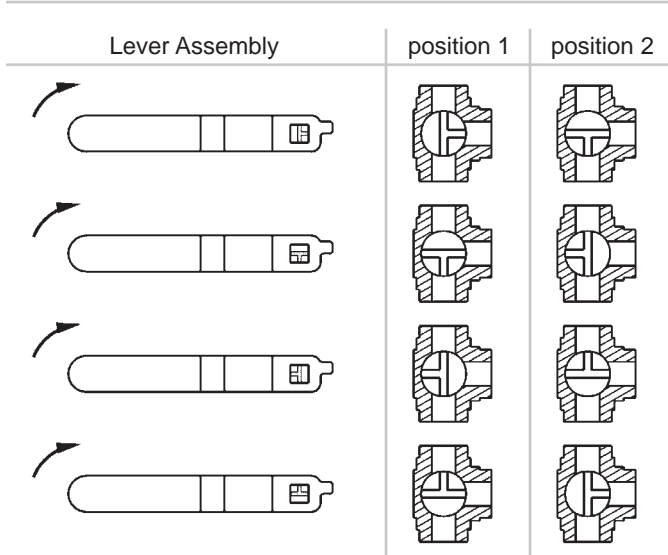


3-Way Diverting Ball Valves T Flow Pattern



Note: ¼ turn handle can be adjusted to any orientation. Notches on the valve stem reflect the three openings on the ball.



Features:

- pressure rating: **400 PSI** WOG; **100 PSI** saturated steam
- chrome plated brass ball
- PTFE seats, seals, and thrust washer
- brass body
- adjustable stem packing
- blow-out proof stem
- maximum temperature: **344°F**

female NPT x female NPT x female NPT

Size	Port	Brass	
		Part #	Price/E
½"	standard	BBV50DTW	\$108.50
¾"	standard	BBV75DTW	119.80
1"	standard	BBV100DTW	183.65
1¼"	standard	BBV125DTW	269.10
1½"	standard	BBV150DTW	409.35
2"	standard	BBV200DTW	668.55

L Flow Pattern

Features:

- can be used with gasoline and diesel fuel
- pressure rating: **400 PSI** WOG
- bronze body
- blow-out proof stem
- chromium-plated ball
- RPTFE seats and stuffing box ring
- stainless steel handle and nut with vinyl sleeve
- adjustable packing gland

female NPT x female NPT x female NPT

Size	Port	Bronze	
		Part #	Price/E
½"	full	BBV50TW ¹	\$72.35
¾"	standard	BBV75TW	99.80
1"	standard	BBV100TW	132.25

¹ carbon steel handle and nut with vinyl sleeve



Features:

- rated to **800 PSI** WOG
- stainless steel body and ball
- blow-out proof stem
- RPTFE seats and stuffing box ring
- stainless steel handle and nut with vinyl sleeve
- adjustable packing gland
- meets NACE MR-01-75

female NPT x female NPT x female NPT

Size	Port	Stainless Steel	
		Part #	Price/E
½"	full	SSBV50TW	\$301.90
¾"	standard	SSBV75TW	400.00
1"	standard	SSBV100TW	503.00

