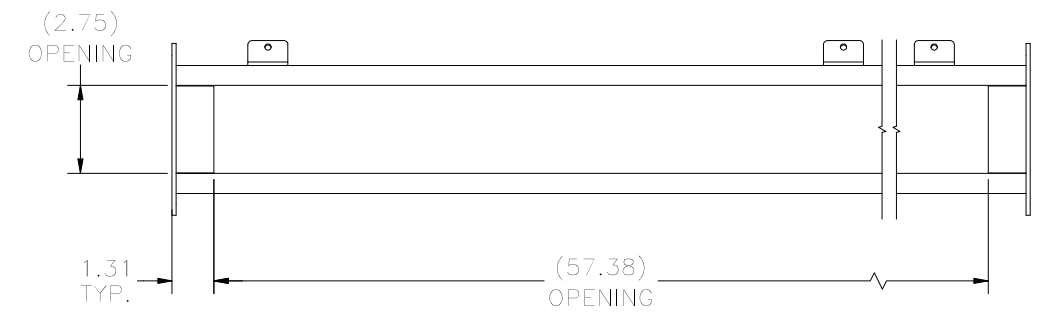
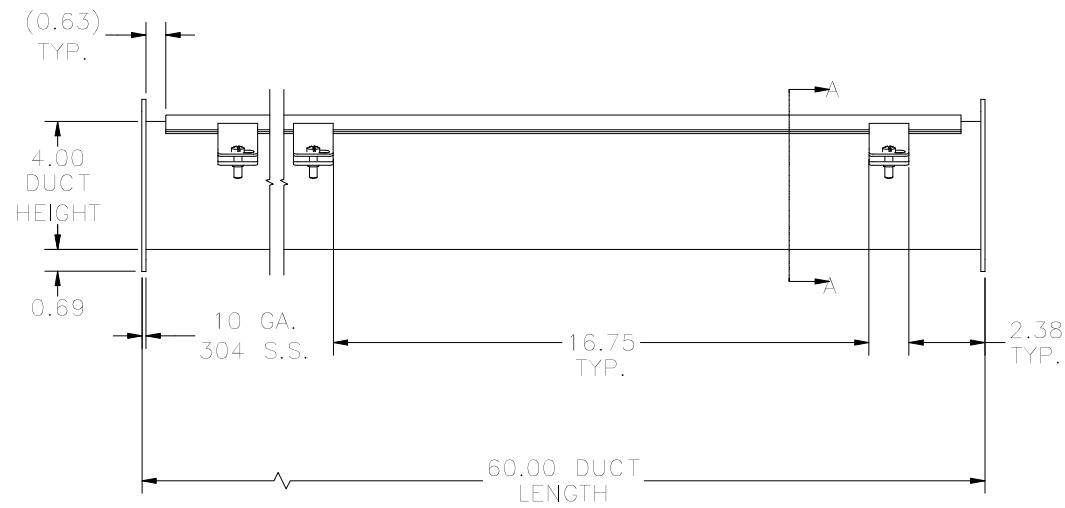


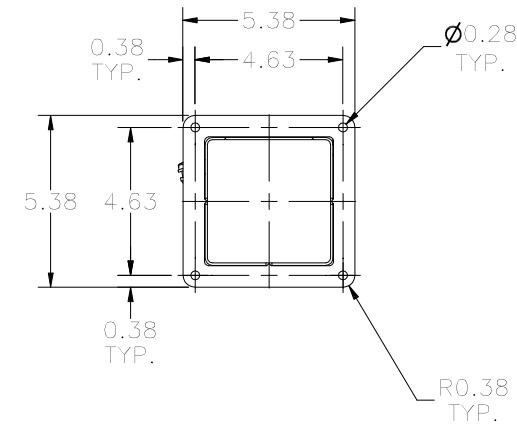
TOP VIEW



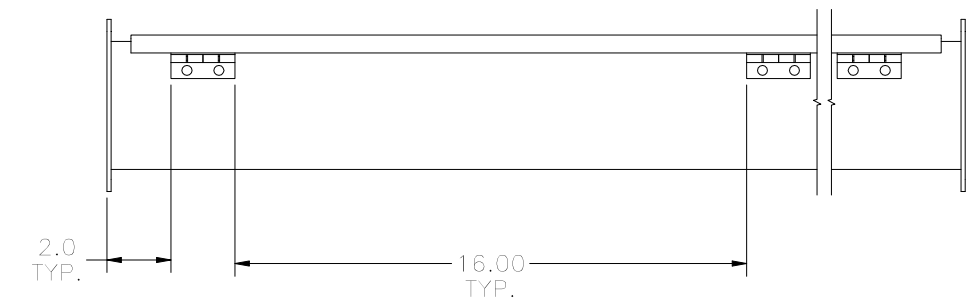
TOP VIEW (LID ASSM. NOT SHOWN)



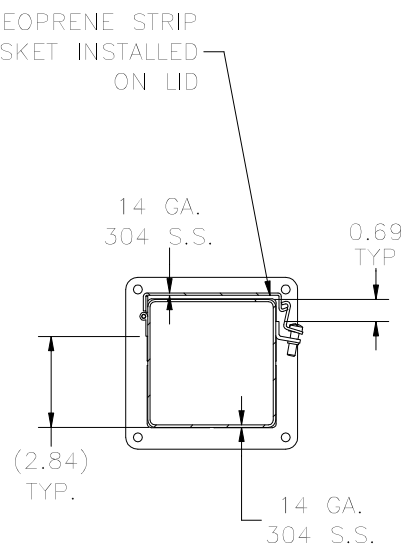
FRONT VIEW



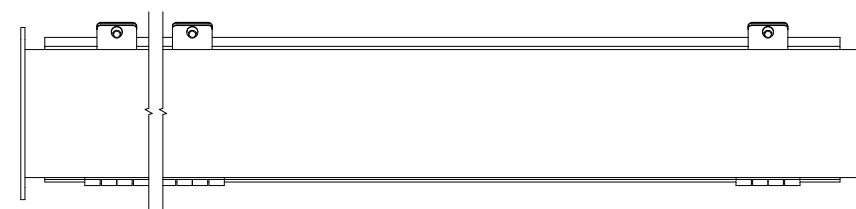
RIGHT SIDE VIEW



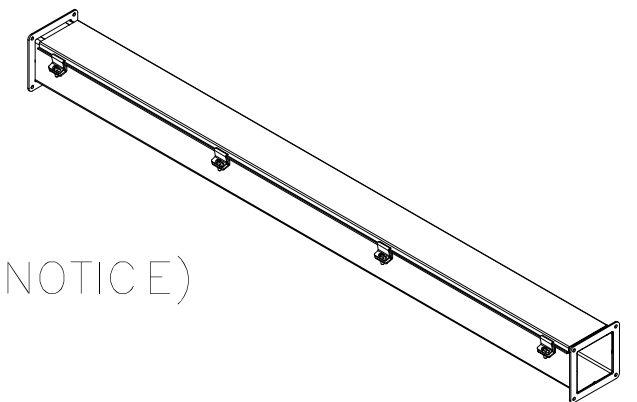
REAR VIEW



SECTION A-A VIEW



BOTTOM VIEW



PART#: SSJW45  
 (DATA SUBJECT TO CHANGE WITHOUT NOTICE)

THIS DRAWING IS PROPERTY OF HUBBELL INC. WEIGMANN  
 ALL INFORMATION IS PROPRIETARY AND NOT TO BE DUPLICATED