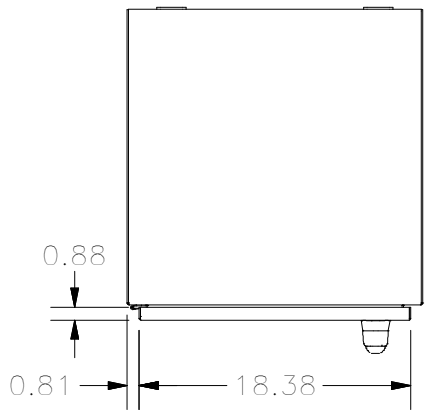
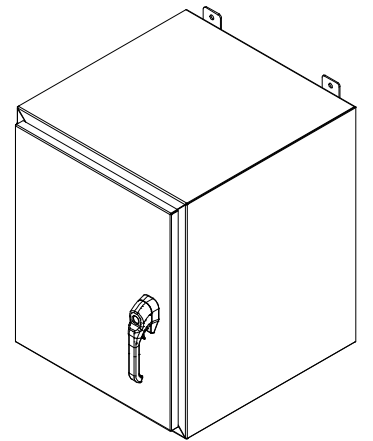


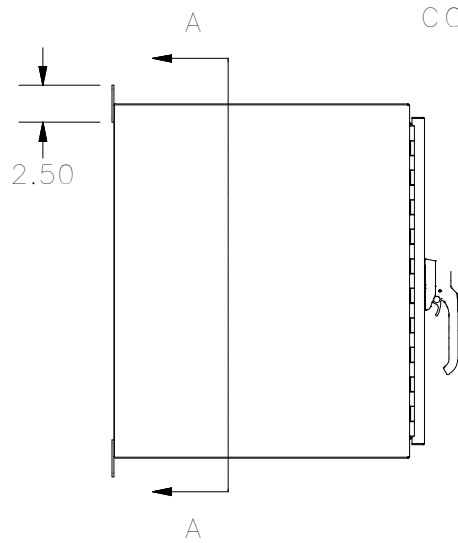
PART#: SSN42420203PTW
 (DATA SUBJECT TO CHANGE WITHOUT NOTICE)

THIS DRAWING IS PROPERTY OF HUBBELL INC. WIEGMANN
 ALL INFORMATION IS PROPRIETARY AND NOT TO BE DUPLICATED

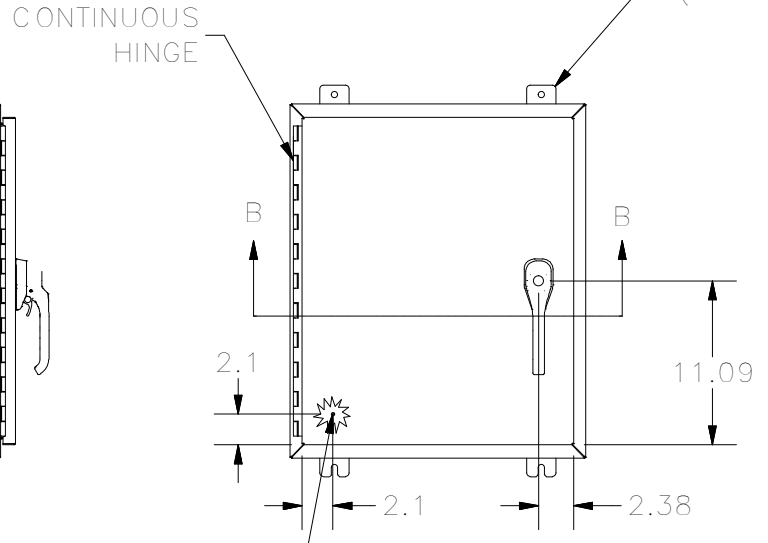


TOP VIEW

MOUNTING FEET
 (TYP. 4 PL.)

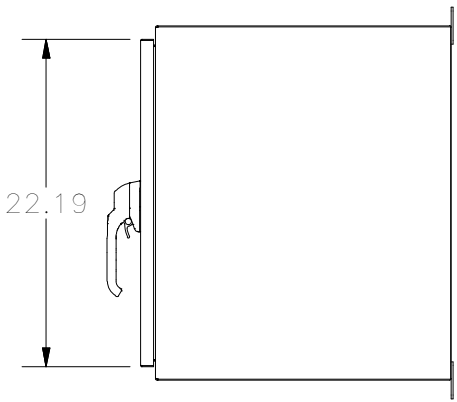


LEFT SIDE

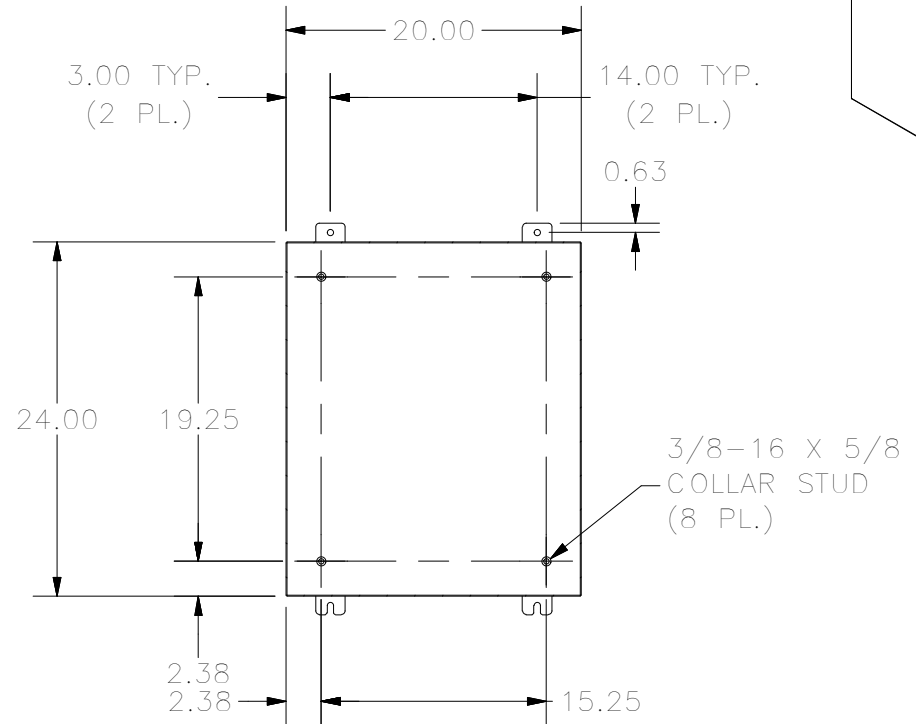


FRONT VIEW

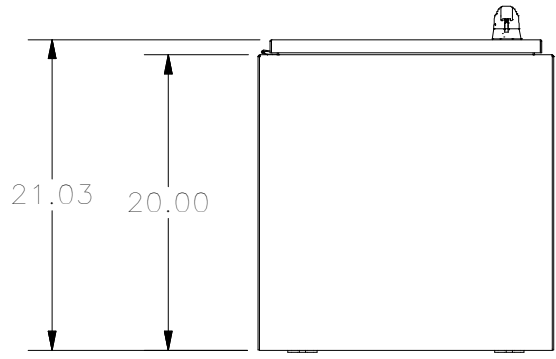
1/4-20 X 1/2
 S.S. GROUND
 STUD



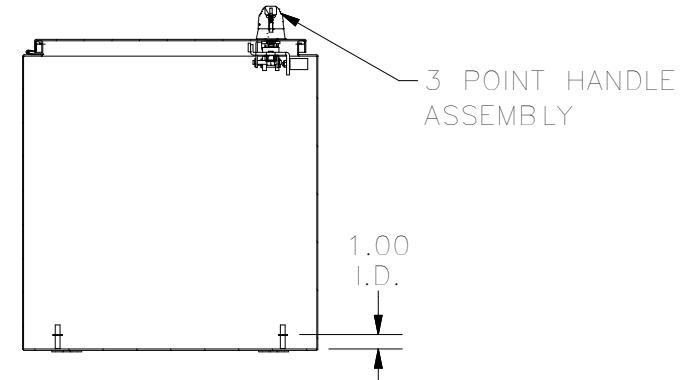
RIGHT SIDE



**SECTION A-A
 (INSIDE BACK OF ENCLOSURE)**



BOTTOM VIEW



**SECTION B-B
 (INSIDE TOP OF ENCLOSURE)**