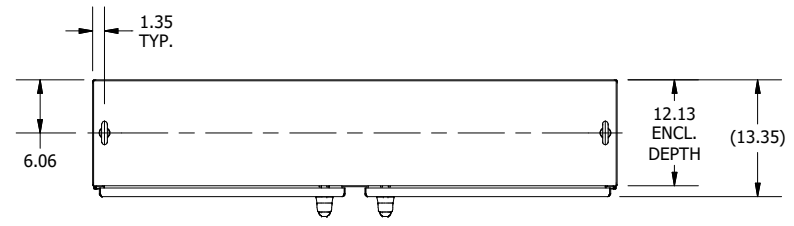
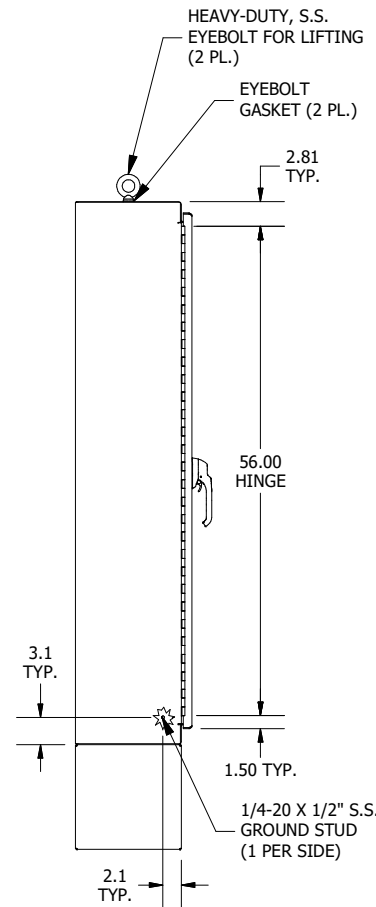


**PART #: SSN4D6260123PT**  
**(DATA SUBJECT TO CHANGE WITHOUT NOTICE)**

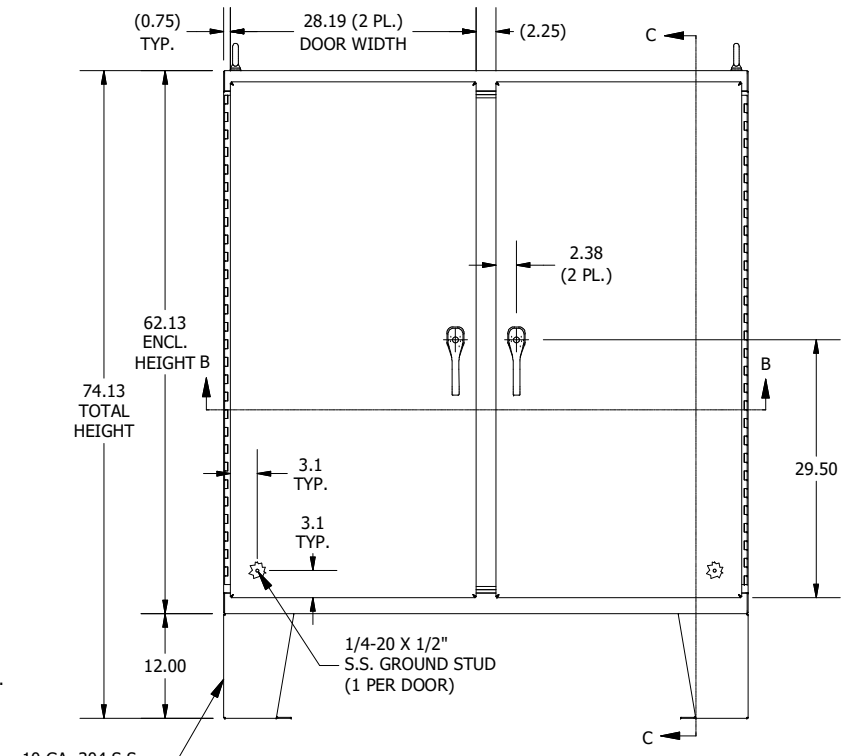
THIS DRAWING IS PROPERTY OF HUBBELL INC. WIEGMANN  
 ALL INFORMATION IS PROPRIETARY AND NOT TO BE DUPLICATED



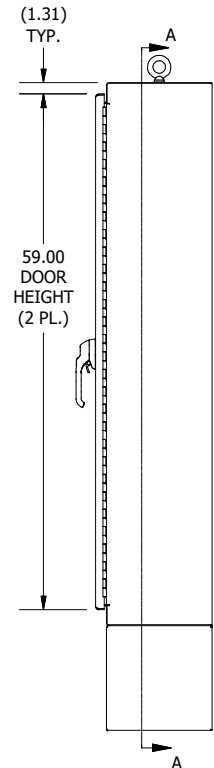
**TOP VIEW**



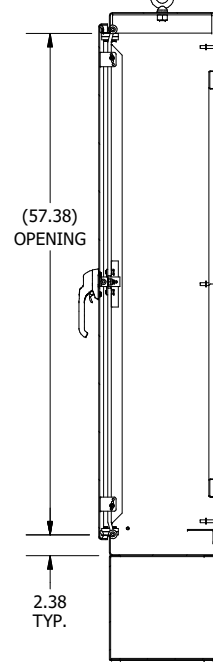
**LEFT SIDE VIEW**



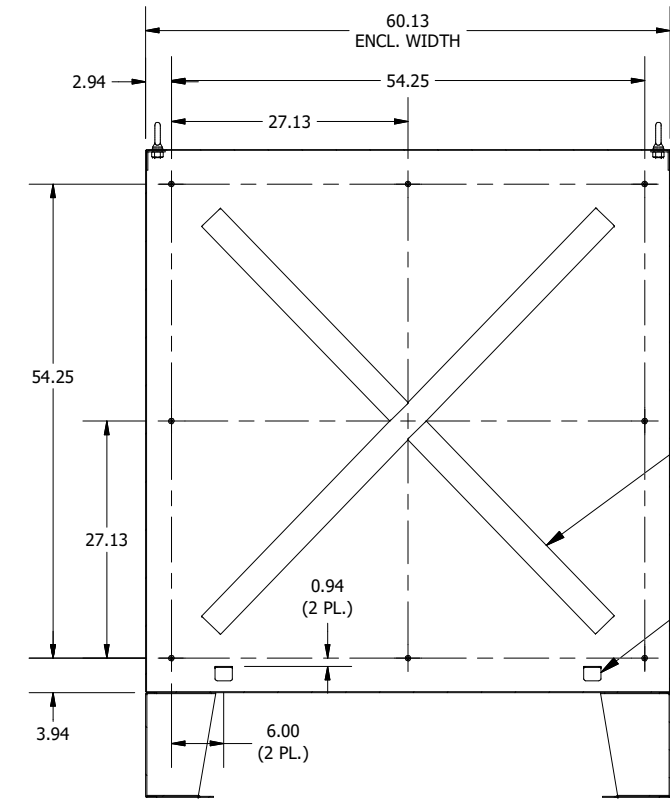
**FRONT VIEW**



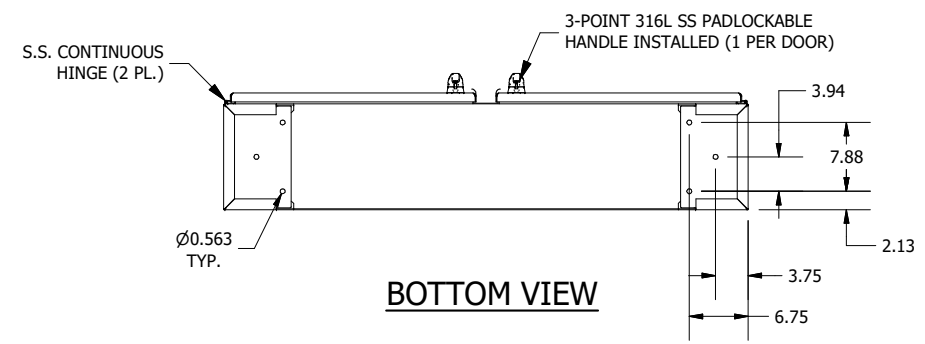
**RIGHT SIDE VIEW**



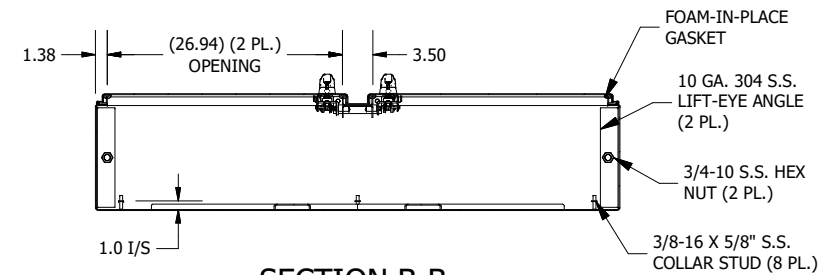
**SECTION C-C**  
(INSIDE LEFT OF ENCL.)



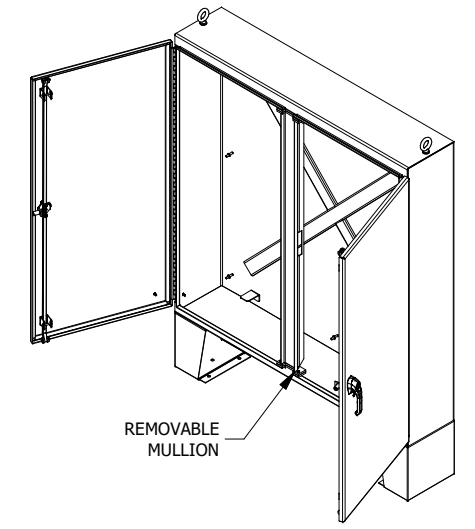
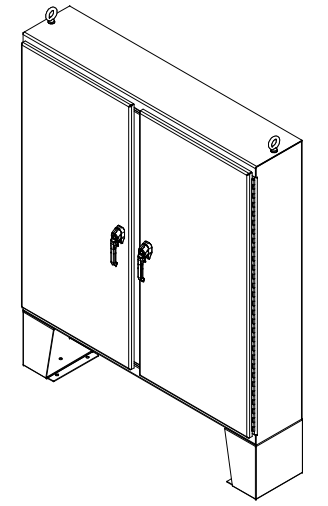
**SECTION A-A**  
(INSIDE LEFT OF ENCL.)



**BOTTOM VIEW**



**SECTION B-B**  
(INSIDE TOP OF ENCL.)



REMOVABLE MULLION