

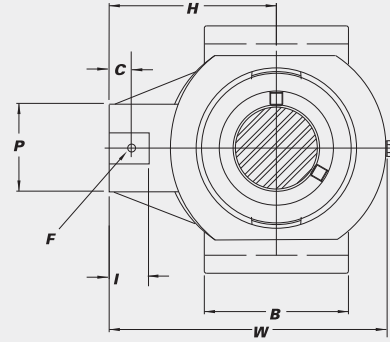
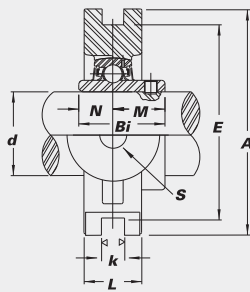
SUCSTRS & SUCST Take Up Units

SUCSTRS • Narrow Slot All Stainless Steel



B-type seal available in all styles and sizes.

L3-type seal available in SUC units only. Limited sizes. Consult IPTCI for speed limitations.



CORROSION RESISTANT

Bearing No.	Shaft Dia.		Dimensions (in.) (mm)															Bearing No.	Housing No.	Weight (lbs.)
	d (in.)	d (mm)	F	C	P	I	S	B	k	E	A	W	L	H	Bi	N	M			
SUCSTRS 205-14 205 205-16	7/8 1	25	5/16 7.9	7/16 11.1	13/8 35	7/8 22	25/32 20	127/32 47	1/4 6.4	25/8 66.7	3/8 79	329/32 99	13/32 28	217/32 64	1.3386 34.0	0.5630 14.3	0.7756 19.7	SUC 205-14 205 205-16	STRS 205	2.0
SUCSTRS 206-18 206 206-19 206-20	1 1/8 1 3/16 1 1/4 S	30	5/16 7.9	1/2 12.7	1 9/16 40	1 25	25/32 20	2 1/2 64	1/4 6.4	3 1/2 88.9	4 102	4 15/16 125	1 3/8 35	3 76	1.5000 38.1	0.6260 15.9	0.8740 22.2	SUC 206-18 206 206-19 206-20	STRS 206	3.8
SUCSTRS 207-20 207-21 207-22 207 207-23	1 1/4 1 5/16 1 3/8 1 7/16	35	5/16 7.9	1/2 12.7	1 9/16 40	1 25	25/32 20	2 1/2 64	1/4 6.4	3 1/2 88.9	4 102	4 15/16 125	1 3/8 35	3 76	1.6890 42.9	0.6890 17.5	1.0000 25.4	SUC 207-20 207-21 207-22 207 207-23	STRS 207	4.0

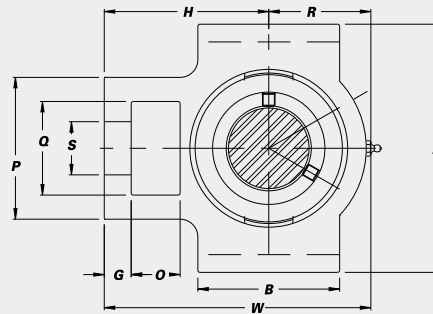
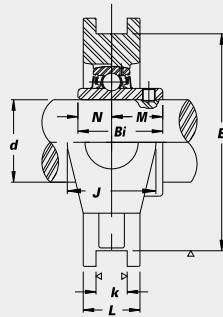
SUCST • Wide Slot All Stainless Steel

- Set screw locking
Also available with locking collar



B-type seal available in all styles and sizes.

L3-type seal available in SUC units only. Limited sizes. Consult IPTCI for speed limitations.



Bearing No.	Shaft Dia.		Dimensions (in.) (mm)																		Bearing No.	Housing No.	Weight (lbs.)
	d (in.)	d (mm)	O	G	P	Q	S	B	k	E	A	W	J	L	R	H	Bi	N	M				
SUCST 205-14 205 205-16	7/8 1	25	5/8 16	13/32 10	2 51	1 1/4 32	3/4 19	2 51	17/32 13.5	3 76.2	3 1/2 89	3 13/16 97	1 1/4 32	15/16 24	1 3/8 35	27/16 62	1.3386 34.0	0.5630 14.3	0.7756 19.7	SUC 205-14 205 205-16	ST 205	1.9	
SUCST 206-18 206 206-19 206-20	1 1/8 1 3/16 1 1/4 S	30	5/8 16	13/32 10	2 7/32 56	1 15/32 37	55/64 22	2 1/4 57	17/32 13.5	3 1/2 88.9	4 1/32 102	47/16 113	1 15/32 37	1 3/32 28	1 11/16 43	2 3/4 70	1.5000 38.1	0.6260 15.9	0.8740 22.2	SUC 206-18 206 206-19 206-20	ST 206	2.9	
SUCST 207-20 207-21 207-22 207 207-23	1 1/4 1 5/16 1 3/8 1 7/16	35	5/8 16	1/2 13	2 17/32 64	1 15/32 37	55/64 22	2 17/32 64	17/32 13.5	3 1/2 88.9	4 1/32 102	5 9/32 129	1 15/32 37	1 3/16 30	2 51	3 1/16 78	1.6890 42.9	0.6890 17.5	1.0000 25.4	SUC 207-20 207-21 207-22 207 207-23	ST 207	3.7	
SUCST 208-24 208	1 1/2	40	3/4 19	5/8 16	3 9/32 83	1 15/16 49	1 9/64 29	3 9/32 83	1 11/16 17.5	4 101.6	4 1/2 114	5 21/32 144	1 15/16 49	1 1/2 33	2 7/32 56	3 15/32 88	1.9370 49.2	0.7480 19.0	1.1890 30.2	SUC 208-24 208	ST 208	5.5	
SUCST 209-27 209-28 209	1 11/16 1 3/4	45	3/4 19	5/8 16	3 9/32 83	1 15/16 49	1 9/64 29	3 9/32 83	1 11/16 17.5	4 101.6	4 19/32 117	5 21/32 144	1 15/16 49	1 3/8 35	2 1/4 57	3 1/16 87	1.9370 49.2	0.7480 19.0	1.1890 30.2	SUC 209-27 209-28 209	ST 209	5.5	
SUCST 210-31 210 210-32	1 15/16 2S	50	3/4 19	5/8 16	3 9/32 83	1 15/16 49	1 9/64 29	3 3/8 86	1 11/16 17.5	4 101.6	4 19/32 117	5 7/8 149	1 15/16 49	1 15/32 37	2 5/16 59	3 17/32 90	2.0315 51.6	0.7480 19.0	1.2835 32.6	SUC 210-31 210 210-32	ST 210	5.7	