

**BALDOR® • RELIANCE** 

**Product Information Packet**

**SUM710006-4**

**100HP, 1165RPM, 3PH, 60HZ, 360TY, TENV, FOOTL**

Part Detail							
Revision:	A	Status:	PRD/A	Change #:		Proprietary:	No
Type:	AC	Elec. Spec:	W00971A A 001	CD Diagram:	416820-036	Mfg Plant:	
Mech. Spec:		Layout:	066930-060	Poles:	06	Created Date:	04-09-2015
Base:		Eff. Date:	09-29-2016	Leads:			

Specs			
Catalog Number:	SUM710006-4		
Enclosure:	XPNV		
Frame:	360TY		
Frame Material:	Iron		
Output @ Frequency:	100.000 @ 60 HZ		
Voltage @ Frequency:	460 V @ 60 HZ		
XP Class and Group:	None		
XP Division:	Not Applicable		
Agency Approvals:	CCSA US		
	CSA		
	UL		
Base Indicator:	Rigid		
Bearing Grease Type:	Polyrex EM (-20F +300F)		
Current @ Voltage:	122 A @ 460 V		
Design Code:	B		
Drip Cover:	No Drip Cover		
Duty Rating:	15 MIN		
Heater Indicator:	No Heater		

<b>Insulation Class:</b>	F		
<b>Inverter Code:</b>	Not Inverter		
<b>KVA Code:</b>	G		
<b>Lifting Lugs:</b>	Standard Lifting Lugs		
<b>Motor Type:</b>	M		
<b>Mounting Arrangement:</b>	V1		
<b>Product Family:</b>	Other		
<b>Pulley End Bearing Type:</b>	Ball		
<b>Pulley Face Code:</b>	Standard		
<b>Shaft Rotation:</b>	Reversible		
<b>Shaft Slinger Indicator:</b>	No Slinger		
<b>Speed Code:</b>	Single Speed		
<b>Motor Standards:</b>	NEMA		
<b>Starting Method:</b>	Direct on line		
<b>Thermal Device - Winding:</b>	None		
<b>XP Temp Code:</b>	T3C		

Nameplate 000613007AC		
CLASS I GROUP	C D X	NO. <input type="text"/>
CLASS II GROUP	X X X	
OPERATING TEMP CODE	T3C	

<b>Nameplate 000613007MN</b>									
<b>CAT NO</b>	SUM710006-4		<b>SPEC NO.</b>	P36G2702					
<b>HP</b>	100	<b>AMPS</b>	122.	<b>VOLTS</b>	460		<b>DESIGN</b>	B	
<b>FRAME SIZE</b>	X0360TY		<b>RPM</b>	1165	<b>HZ</b>	60	<b>AMB</b>	40	
<b>D.E. BRG.</b>	90BJ33J30X			<b>PH</b>	3	<b>DUTY</b>	15MIN		
<b>O.D.E. BRG.</b>	50BC03JG30X			<b>TYPE</b>	P	<b>ENCL</b>	TENV		
				<b>POWER FACTOR</b>					
				<b>MAX CORR KVAR</b>					
				<b>NEMA NOM/CSA QUOTED EFF @</b>					
<b>SER.NO.</b>				<b>MOTOR WEIGHT</b>	1500		<b>LBS.</b>		
	*15 MIN IN AIR ;SUB. IN								
	SEWAGE / WATER ONLY MAXDEPTH								
	IN MANUAL; P36G2702G								
				<b>NEMA-NOM-EFF</b>					
				<b>GUARANTEED EFFICIENCY</b>	100% LOAD				
				<b>SF</b>	1.15		<b>INSUL</b>	F	
				<b>CODE</b>	G				

<b>Nameplate 000613007MR</b>									
<b>CAT NO</b>	SUM710006-4		<b>SPEC NO.</b>	P36G2702					
<b>HP</b>	100	<b>AMPS</b>	122.	<b>VOLTS</b>	460		<b>DESIGN</b>	B	
<b>FRAME SIZE</b>	X0360TY		<b>RPM</b>	1165	<b>HZ</b>	60	<b>AMB</b>	40	
<b>D.E. BRG.</b>	90BJ33J30X			<b>PH</b>	3	<b>DUTY</b>	15MIN		
<b>O.D.E. BRG.</b>	50BC03JG30X			<b>TYPE</b>	P	<b>ENCL</b>	TENV		
				<b>POWER FACTOR</b>					
				<b>MAX CORR KVAR</b>					
				<b>NEMA NOM/CSA QUOTED EFF @</b>					
<b>SER.NO.</b>				<b>MOTOR WEIGHT</b>	1500		<b>LBS.</b>		
	*15 MIN IN AIR ;SUB. IN								
	SEWAGE / WATER ONLY MAXDEPTH								
	IN MANUAL; P36G2702G								
				<b>NEMA-NOM-EFF</b>					
				<b>GUARANTEED EFFICIENCY</b>	100% LOAD				
				<b>SF</b>	1.15		<b>INSUL</b>	F	
				<b>CODE</b>	G				

Parts List		
Part Number	Description	Quantity
SA297282	SA P36G2702	1.000 EA
RA283476	RA P36G2702	1.000 EA
424476003WL	WIRING DIAGRAM MEDIUMA	1.000 EA
000613007AC	UL NAMEPLATE FOR HAZARDOUS LOCATIONS	1.000 EA
000613007MN	NP,MEDIUM AC,NO CERT,STD INDUSTRIAL	1.000 EA
000613007MR	NP, MEDIUM AC, CSA, STD INDUSTRIAL	1.000 EA
000692000EJ	NAME PLATE	1.000 EA
000901001AA	LABEL WARNING	1.000 EA
034692002AE	HCSPP 1/4" 304 S.S.	2.000 EA
032018018EG	HHCS 5/8-11X2-1/4 316 SS	8.000 EA
032130020EC	HSACS 5/8-11X2-1/2 304	8.000 EA
032620020JD	HSSS 10-24X5/8L 304S.S.	1.000 EA
034141300AC	RETAINING RING	1.000 EA
064262008J	SEAL 360 SUBMERSIBLE	1.000 EA
034141325AC	RETAINING RING	1.000 EA
034692003AE	PPLG 3/8" 304 S.S.	2.000 EA
064262012G	SEAL	1.000 EA
413412004B	SUBM MOISTURE PROBE	2.000 EA
413412005X	LEAD WIRE ASSY	1.000 EA
413480001R	RESISTOR ASSEMBLY-BLANKET	1.000 EA
421900192FU	ORING	1.000 EA
421900240FU	ORING	1.000 EA
004824018AF	SHELL ROTELLA OIL 10W	7.311 LB
603762061A	BRASS,SLINGER,X360TY,EXI,7BY	1.000 EA

Parts List (continued)		
Part Number	Description	Quantity
801173002A	BRKT,DE,360SUB	1.000 EA
801174002A	MTGPLT 360 801174-1WCA	1.000 EA
032018006BM	HHCS 5/16-18X3/4 PLTGRN.	1.000 EA
004824007K	SPECIAL PAINT	0.100 EA
032018016EG	HHCS 5/8-11X2 316S.S.	4.000 EA
421900124FU	ORING	1.000 EA
700385014AD	CCA	1.000 EA
033775004EA	DRSCR #6-1/4 304 S.S.	6.000 EA
034180024GD	KEY 1/2X1/2X3L 303 S.S.	1.000 EA
421900240FU	ORING	1.000 EA
801171002A	BRKT, ODE, 360 SUB	1.000 EA
004824015A	GREASE POLYREX EM	0.600 LB
032018010CG	HHCS 3/8-16X1-1/4L 316SS	3.000 EA
032018018EG	HHCS 5/8-11X2-1/4 316 SS	8.000 EA
B3630-9	SUBM THERMOSTAT TAG	1.000 EA
B-3664002	TAG, (NON REGREASABLE)	1.000 EA



REL. S.O.	FRAME	HP	TYPE	PHASE/ HERTZ	RPM	VOLTS
	360TY	100	P	3/60	1165	230
AMPS	DUTY	AMB °C/ INSUL.	S.F.	NEMA DESIGN	CODE LETTER	ENCL.
244	*	40/F	1.15	B	G	SUB
E/S	ROTOR	TEST S.O.	TEST DATE	STATOR RES (25 °C OHMS (BETWEEN LINES))		
-	418141-70-AE	---	---	.0219		

PERFORMANCE

LOAD	HP	AMPERES	RPM	INPUT KW	POWER FACTOR	% EFFICIENCY
NO LOAD	0	74.9	1200	2.20	7.38	0
1/4	25.1	95.8	1192	21.2	55.5	88.2
2/4	50.0	134	1184	40.7	76.0	91.7
3/4	75.0	185	1175	60.8	82.4	92.0
4/4	100	244	1166	81.8	84.2	91.2
5/4	125	307	1155	104	84.7	89.9

SPEED TORQUE

	RPM	TORQUE % FULL LOAD	TORQUE LB.-FT.	AMPERES
LOCKED ROTOR	0	162	731	1406
PULL UP	240	145	655	1376
BREKDOWN	1063	254	1143	808
FULL LOAD	1166	100	451	244

AMPERES SHOWN FOR 230. VOLT CONNECTION. IF OTHER VOLTAGE CONNECTIONS ARE AVAILABLE, THE AMPERES WILL VARY INVERSELY WITH THE RATED VOLTAGE

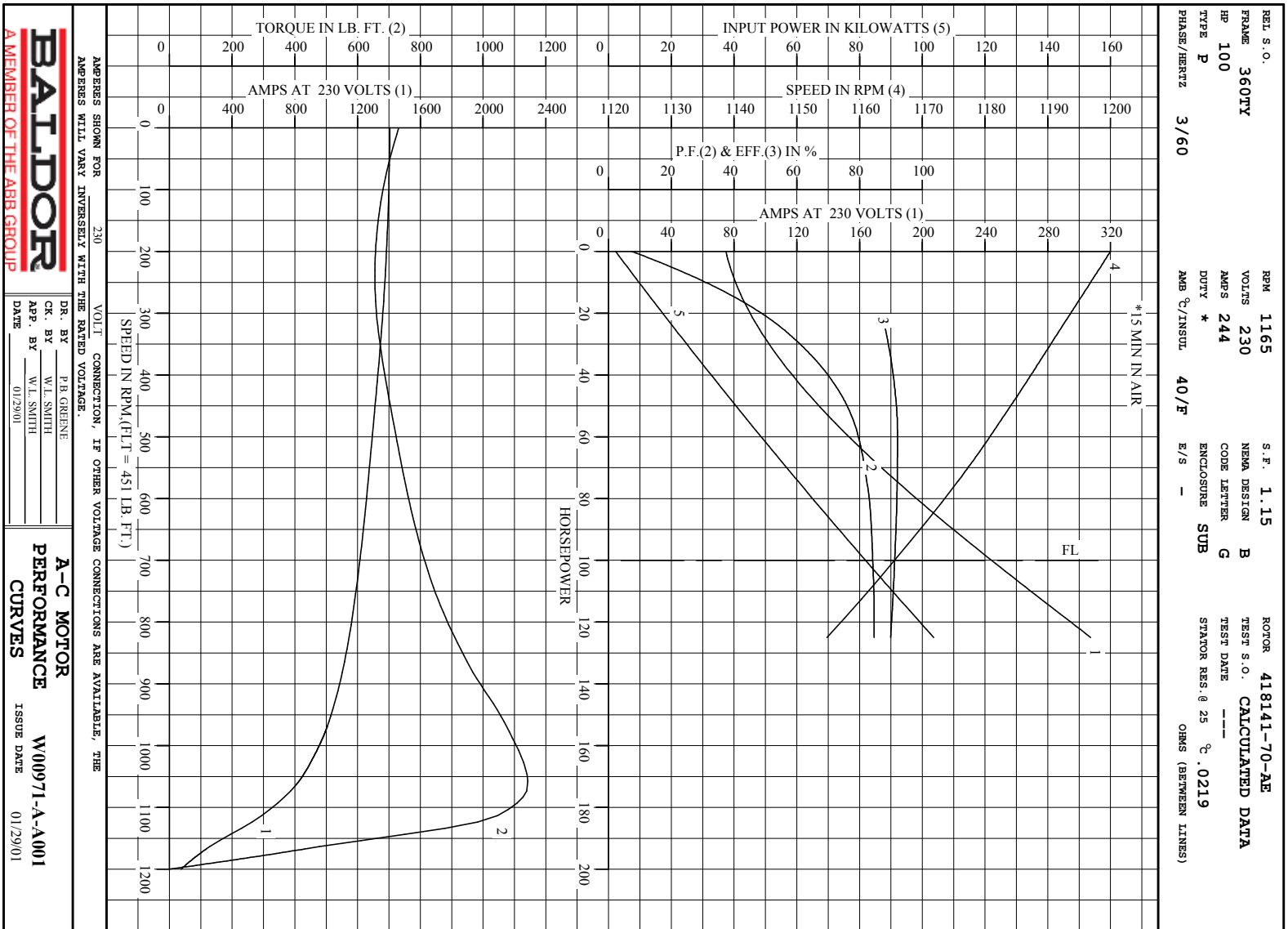
REMARKS : CALCULATED DATA  
\*15 MIN IN AIR



A MEMBER OF THE ABB GROUP

DR. BY P.B. GREENE  
CK. BY W.L. SMITH  
APP. BY W.L. SMITH  
DATE 01/29/01

A-C MOTOR  
PERFORMANCE DATA  
W00971-A-A001  
ISSUE DATE 01/29/01



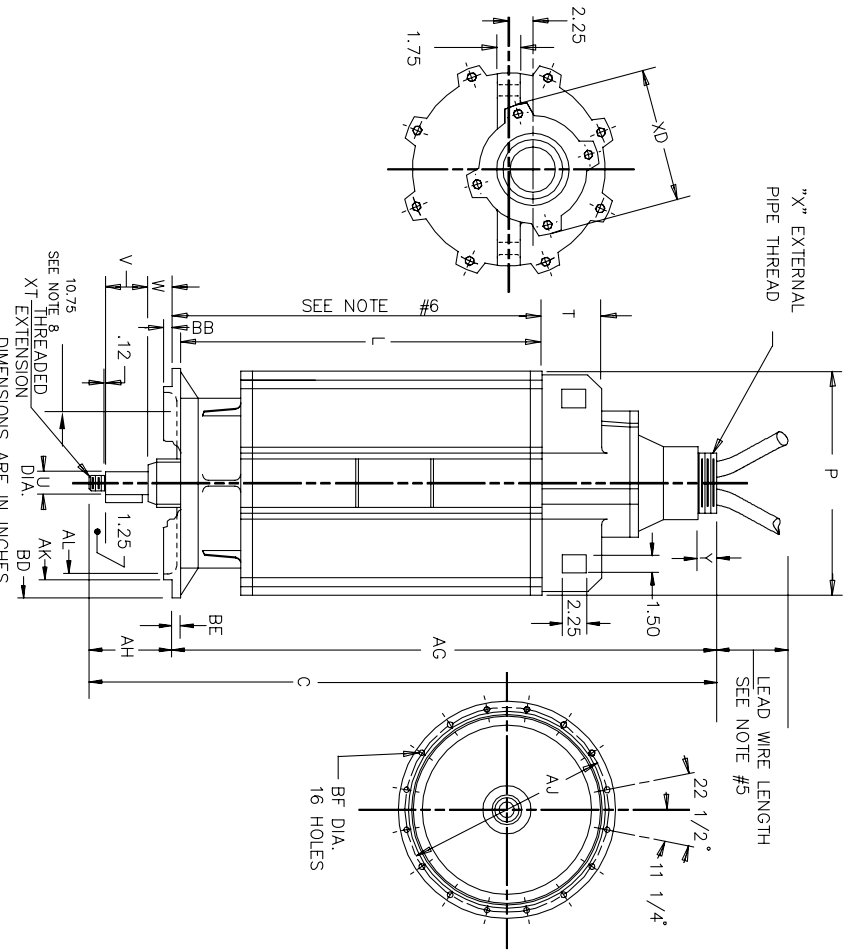
**BALDOR**  
A MEMBER OF THE ABB GROUP

DR. BY P.B. GRENE  
CK. BY W.L. SMITH  
APP. BY W.L. SMITH  
DATE 01/29/01

**A-C MOTOR**  
**PERFORMANCE** W00971-A-A001  
**CURVES** ISSUE DATE 01/29/01

Printed on 1/14/14 9:37 @ r99

**DUTY MASTER ALTERNATING CURRENT MOTORS**  
 SQUIRREL-CAGE INDUCTION  
 ENCLOSURE: TOTALLY ENCLOSED SUBMERSIBLE  
 FRAME 360TY THRU L360TY



1.)

FRAME	C	L	P	T	U (3)	V	W	AG	AH	AJ	AK (4)	AL
360TY	47.1	31.25	18.38	4.25	2.4997	3.19	2.12	43.25	6.56	18.75	17.500	15.25
L360TY	49.1	33.25	18.38	4.25	2.4997	3.19	2.12	45.25	6.56	18.75	17.500	15.25

1.)

FRAME	BB	BD (2)	BE	BF	XT	LEAD CONNECTION				B.E. KEY	
						X	Y	XD	SQ.	LGTH.	
360TY	.25	20.25	1.12	.69	1-1/2-13 - 8	1.25	10.88	.50	3.00		
L360TY	.25	20.25	1.12	.69	1-1/2-13 - 8	1.25	10.88	.50	3.00		

- 1.) SPECIAL DIMENSIONS APPLYING TO THIS ORDER ON THIS LINE.
  - 2.) "BP" VARIES +.010.
  - 3.) "U" VARIES +.0000, -.0005.
  - 4.) "AK" VARIES +.000, -.002
  - 5.) LEAD WIRE LENGTH AS SPECIFIED ON SALES ORDER.
  - 6.) MINIMAL SUBMERGED DEPTH.
- FACE RUNOUT AND ECCENTRICITY .008 MAX. T.I.R.  
 PROTECTIVE CONDUIT FURNISHED BY CUSTOMER.

090-066990

CUSTOMER IS RESPONSIBLE FOR DETERMINING THAT BALDOR'S PRODUCT WILL PERFORM SUITABLY IN THE INTENDED APPLICATION.

REV. DESC: UPDATE NOTES, LOAD TO BUS	VERSION: 00	TDR: 000000921348
REV. LTR: -	REVISED: 09:19:59 04/20/2015	BY: RGGWT
FILE: \RGG\00024\962		
MTL: -		

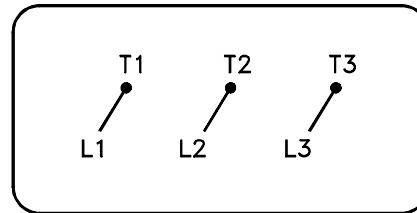
**BALDOR**

DIM SHT 360TY/L360TY SUBMERSIBLE

SH 1 of 1

416820-036

A-C MOTOR  
 CONNECTION DIAGRAM  
 STANDARD 3 LEAD CONNECTED



(N.P. 1575-BA)

416820-036

REV. DESC: LOADED TO BUS, C/R 335225		
REV. LTR: -	VERSION: 00	TDR: 000000538207
FILE: \MGA\00000\682	REVISED: 11:54:06 04/30/2010	
MTL: -	BY: RAGRA	

**BALDOR**

CONN DIAG - STANDARD 3 LEAD

SH 1 of 1

Marketing maintained PDF of MN414:

<http://www.baldor.com/support/Literature/Load.ashx/MN414?ManNumber=MN414>

