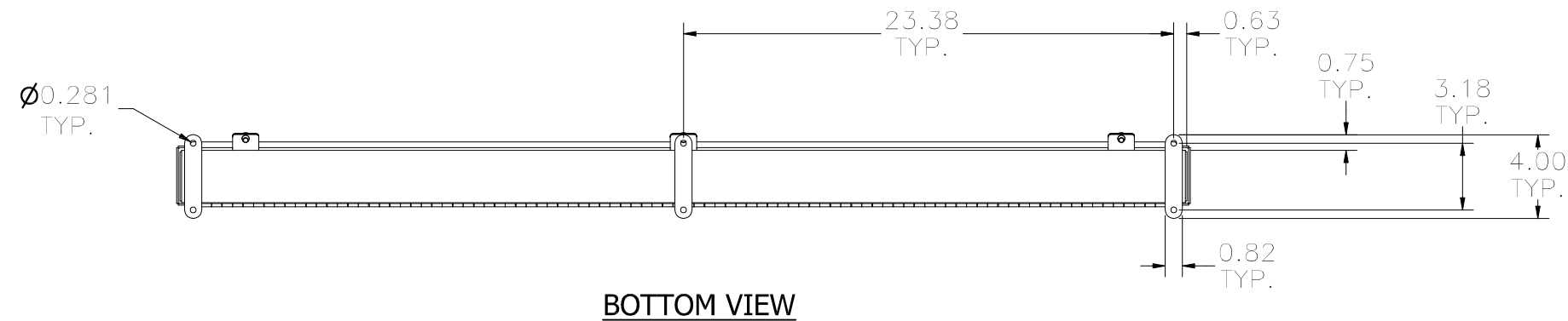


LEFT SIDE VIEW

FRONT VIEW

RIGHT SIDE VIEW



PART#: T2248CH
(DATA SUBJECT TO CHANGE WITHOUT NOTICE)

THIS DRAWING IS PROPERTY OF HUBBELL INC. WIEGMANN
ALL INFORMATION IS PROPRIETARY AND NOT TO BE DUPLICATED