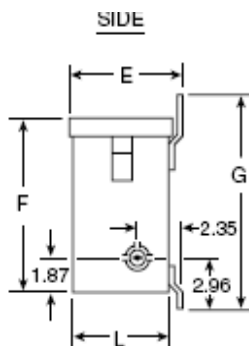
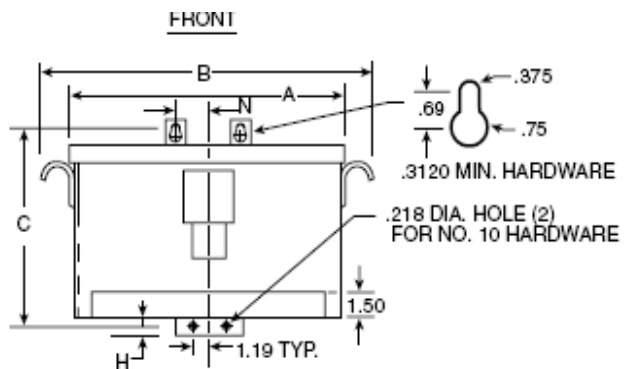
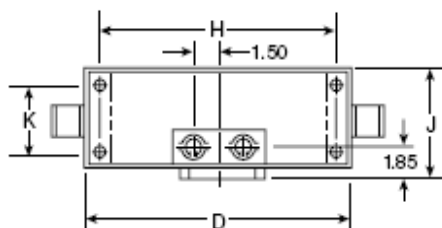


Revisions



PRIMARY: 600 Volts
SECONDARY: 480 Volts
TAPS: 2, 5% BNFC

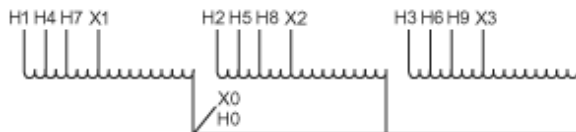
BOTTOM



CERTIFIED DIMENSIONS
 THREE PHASE 7.5 KVA
 TOTALLY ENCLOSED
 DRIVE ISOLATION TRANSFORMERS

Primary Volts	Alt Rating	Connect Primary Lines To	Inter-Connect	Connect Secondary Lines To
600	480	H1, H2, H3		
570	456	H4, H5, H6		
540	432	H7, H8, H9		

Secondary Volts				
480	380			X1, X2, X3
277 1 phase	220 1 phase			X1 to X0 X2 to X0 X3 to X0



KVA	CATALOG NUMBER	VOLTAGE		TYPE	WEIGHT	PHASE	FREQ.
		HIGH	LOW				
15	T-2-52703-1	600/480	480/380	AUTO	104 Lbs	3φ	60 Hz

TYPICAL PERFORMANCE DATA

Winding Rise	115°C
Insulation	180°C
Sound Level	45 dB

Regulation @ 100% PF	
----------------------	--

IMPEDANCE	
-----------	--

Typical Efficiency	
Full Load Losses	
No Load Losses	

A	B	C	D	E	F	G	H	J	K	L	M	N	P	R
16.87	19.25	14.46	16.72	7.37	13.06	15.21	.38	7.31		6.87		3.25		



Type No.

DATE:

6-13-08

A

PRINTS TO

CONTROL
7