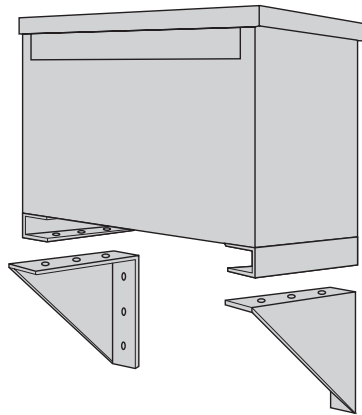


Wall Mounting Brackets



Required on:

Ventilated Units:

1Ø, 37.5 and 50 kVA
3Ø, 30, 45 and 75 kVA

Catalog Number: PL-79912

Encapsulated Units:

3Ø dit., 11 kVA — 20 kVA
3Ø std. distribution — 15 kVA

Catalog Number: PL-79911

Wall mounting brackets are not required on:

1Ø units — 25 kVA and below
3Ø units — 9 kVA and below

Standard Taps

The catalog number suffix provides tap information as outlined in chart below:

If the catalog number has no suffix, there are no taps available.

EXAMPLE: T-2-53019-3S

The suffix 3S indicates the unit has two 2.5% (+) ANFC taps and four 2.5% (-) BNFC taps.

Suffix	Tap Arrangement
- 1S	Two 5% (-) BNFC Taps
- 2S	One 5% (+) ANFC Tap and One 5% (-) BNFC Tap
- 3S	Two 2-1/2% (+) ANFC Taps and Four 2-1/2% (-) BNFC Taps
- 4S	Two 2-1/2% (+) ANFC Taps and Two 2-1/2% (-) BNFC Taps
- 5S	Two 5% (+) ANFC Taps and Two 5% (-) BNFC Taps

Thermal Switch Kits

Acme Thermal Switch Kits are designed for use with single and three phase drive isolation and distribution transformers. Thermal switch kits are available for one or three sensor systems.

Thermal sensors can be field or factory installed in the transformer winding ducts to detect abnormal temperatures. The thermal sensors are a normally closed contact that opens at 200°C ± 10°C and has a current capacity of 5 amps @ 120V or 2.5 amps @ 240V. This contact can activate any number of different types of alarms or mechanisms that could warn of a potential failure.

Catalog Number: PL-79900

kVA	Mounting Position	Illustration
27.0 – 220.0	Bottom of the case	Figure 1
275.0 – 750	Top Flange of the Core Bracket	Figure 2

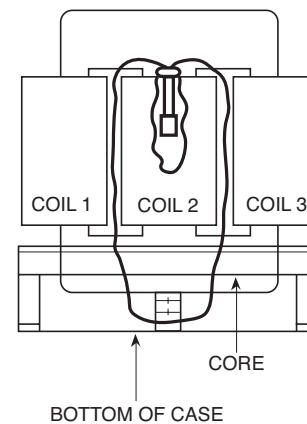


Figure 1

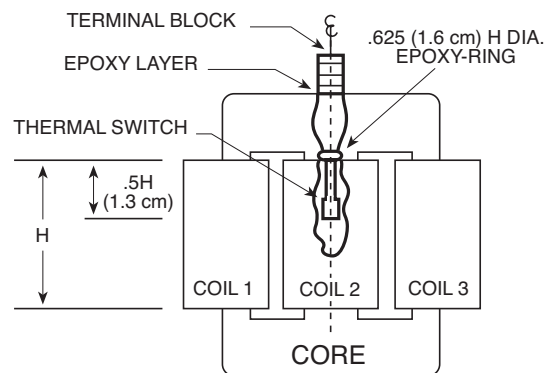


Figure 2

Lug Kits

Acme's mechanical transformer lug kits contain all of the hardware necessary to provide satisfactory transformer terminations. Lug kits are available in sizes from 27 kVA to 660 kVA.

Acme lugs are of the dual rated single pole solderless type, made from high strength aluminum alloy. To provide the best in low contact resistance, all lugs in these kits are plated.

Catalog No.	Transformer kVA Size	Kit Contains			
		Wire Range Al or Cu	Qty	Nuts & Bolts	Qty
Lug 1	37 1/2 1-phase	2 - 14	8	1/4 - 20 x 3/4	8
	27 - 45 3-phase	250 mcm - 6	4		
Lug 2	50 - 75 1-phase	250 mcm - 6	12	1/4 - 20 x 3/4	8
	51 - 118 3-phase			1/4 - 20 x 1 3/4	8
Lug 3	100 - 167 1-phase	250 mcm - 6	3	1/4 - 20 x 3/4	3
	145 - 300 3-phase	600 mcm - 2	22	3/8 - 16 x 2	16
Lug 4	440 - 660 3-phase	600 mcm - 2	29	3/8 - 16 x 2	8

Weather Shields

Catalog No.	Approx. Ship Weight Lbs. (Kg.)
WSA1	6 (2.7)
WSA2	7 (3.2)
WSA3	8 (3.6)
WSA4	8 (3.6)
WSA5	10 (4.5)
WSA6	10 (4.5)
WSA8	7 (3.2)
WSA53	7 (3.2)
WSA58	10 (4.5)
WSA60	9.5 (4.3)
WSB1	31 (14.1)
WSB2	31 (14.1)
WSB3	30 (13.6)
WSB4	32 (14.5)
WSB5	35 (15.9)

Spare Parts

TOP COVER

CATALOG NO.	APPROX. SHIP WEIGHT Lbs. (Kg.)
SA1701319	14 (6.4)
SA2701319	16 (7.3)
SA3701319	20 (9.1)
SA4701319	34 (15.4)
SA6701319	17 (7.7)

FRONT/REAR PANEL

CATALOG NO.	APPROX. SHIP WEIGHT Lbs. (Kg.)
SA1701321	13 (5.9)
SA2701321	15 (6.8)
SA3701321	21 (9.5)
SA4701321	35 (15.9)
SA7701321	16 (7.3)

SIDE PANEL

CATALOG NO.	APPROX. SHIP WEIGHT Lbs. (Kg.)
SA1701320	11 (5.0)
SA2701320	13 (5.9)
SA3701320	19 (8.6)
SA4701320	34 (15.4)