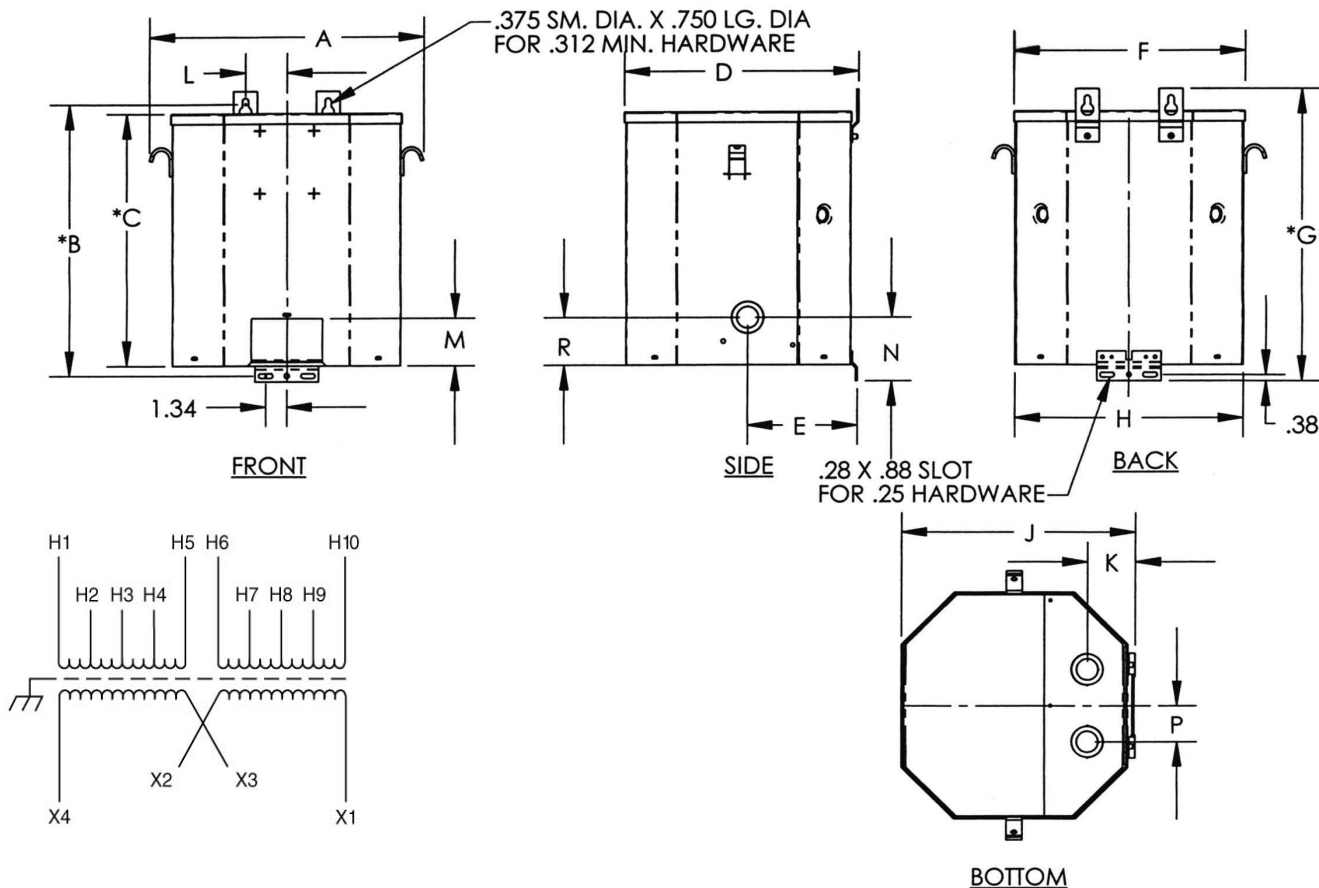


Revisions



Type No.

KVA	CATALOG NUMBER	VOLTAGE		Enclosure	WEIGHT	PHASE	FREQ.
		HIGH	LOW				
7.5	TF-2-52794-S	190/200/208/220 380/400/416/440	120/240	NEMA-3R	115 Lbs	1	50/60 Hz

TYPICAL PERFORMANCE DATA

Winding Rise	115°C	Regulation @ 100% PF	1.4%	IMPEDANCE	2.86%	Typical Efficiency	97.35%
Insulation	180°C	Windings	AL			No Load Losses	58.28W
Sound Level	40 dB					Full Load Losses	203.8W

A	B	C	D	E	F	G	H	J	K	L	M	N	P	R
13.50	14.18	12.81	10.84	4.85	11.12	15.19	11.00	10.63	2.18	1.75	2.25	3.13	1.88	3.00

Drawn: ADR

DATE: Oct 1, 2008