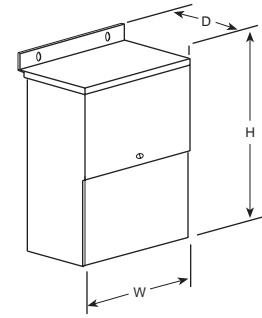


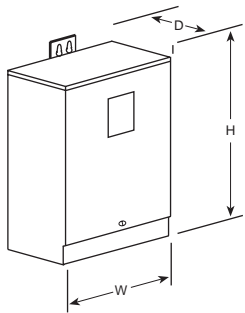
Design Figures

Sections I, II, III & IV

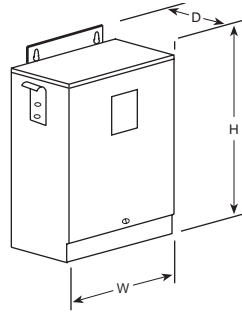
These drawings are for reference only.
Contact factory for certified drawings.



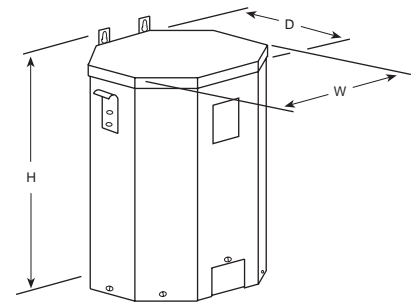
Design A



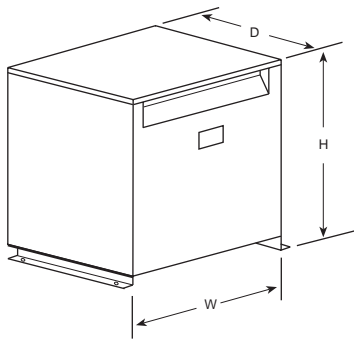
Design B



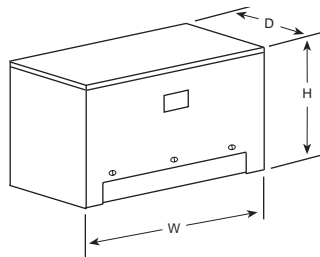
Design C



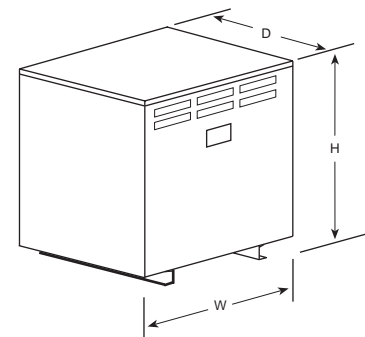
Design D



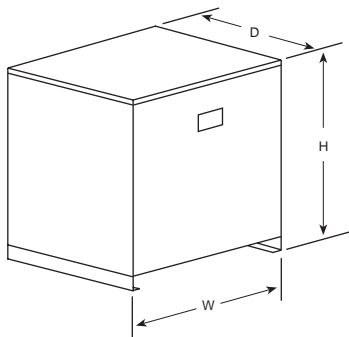
Design E



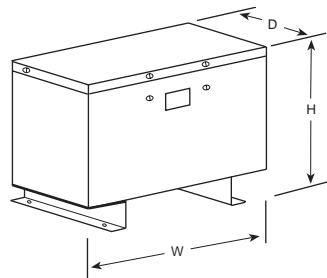
Design F



Design G



Design H



Design I