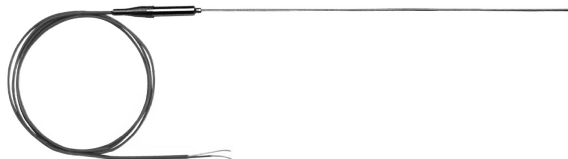


## TRANSITION JOINT PROBES AND ACCESSORIES

### MODEL TMP - TRANSITION JOINT PROBES



- CHOICE OF 304 SS, INCONEL 600 OR XL SHEATH
- STRIPPED BARE WIRE ENDS
- XL HIGH TEMPERATURE PROBE AVAILABLE
- EASILY ATTACHES TO STANDARD AND MINI STYLE CONNECTORS (SEE ACCESSORIES)
- MEETS OR EXCEEDS SLE AND EN 60584-2: TOLERANCE CLASS 1

### GENERAL DESCRIPTION

Model TMPTJ transition joint probes are rugged temperature probes that feature a spring strain relief at the “cold” end of the probe that prevents pinching of the thermocouple wire that can occur in certain applications. These versatile probes come in a variety of sheath diameters and materials. The probes are standard 12" long transitioning to 40" of wire with exposed leads.

### SPECIFICATIONS

1. **SHEATH:** Constructed of 304 stainless steel, Inconel 600, or XL (High Temperature Probe)
2. **SHEATH DIAMETER:** 1/16" or 1/8"
3. **PROBE LENGTH:** 12" Ungrounded junction.
4. **CONNECTOR BODY:** Glass Filled Nylon, rated to 260 °C.
5. **WIRE INSULATION:** Neoflon PFA
6. **LEAD LENGTH:** 40" (1 meter) with stripped ends

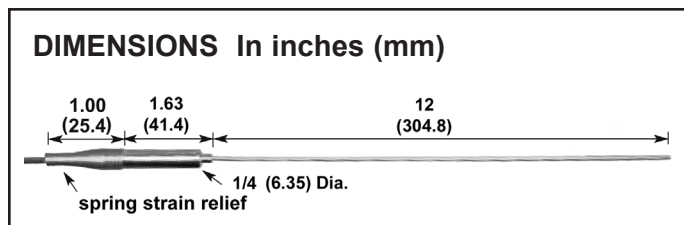
### ORDERING INFORMATION

DESCRIPTION	ANSI TYPE TC	SHEATH MATERIAL	SHEATH DIAMETER INCHES	UPPER TEMP GUIDELINES °C (°F) TC JUNCTION	PART NUMBER
TRANSITION JOINT PROBES	K	INCONEL 600	1/16	921 (1690)	TMPKTJ01
	K	INCONEL 600	1/8	1071 (1960)	TMPKTJ02
	K	304 SS	1/16	899 (1650)	TMPKTJ03
	K	304 SS	1/8	899 (1650)	TMPKTJ04
	K	XL	1/8	1038 (1900)	TMPKTJ05
	K	XL	1/16	1149 (2100)	TMPKTJ06

\* XL probes have a very low drift and are for use in high temperature applications up to 1335 °C.



Do not dispose of unit in trash - Recycle



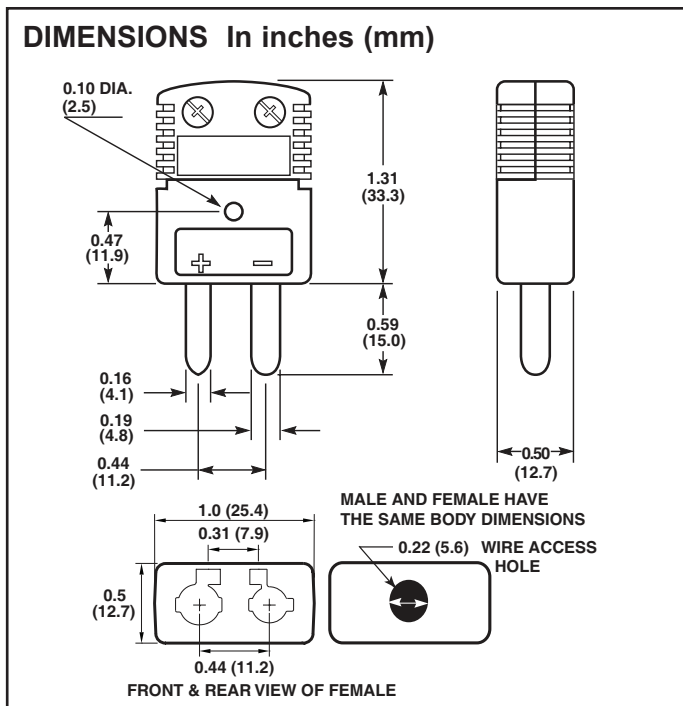
Note: Probe supplied with 1M (40") cable

# ACCESSORIES

## MODEL TMPCN - QUICK DISCONNECT STANDARD CONNECTORS

### GENERAL DESCRIPTION

Standard Connectors are for use with the Standard Quick Disconnect TC Probes. They are available in both male and female termination, and include a "write on label" for easy identification. The female standard connector is a universal connector, meaning it can be used to terminate male versions of both the standard and miniature connector.



### SPECIFICATIONS

1. **CONNECTOR BODY MATERIAL:** Glass Filled Nylon, for temperature ranges of -29 to 220° C. (-20 to 428 °F)
2. **CONNECTOR BODY COLOR:** ANSI color coded
3. **WIRE GAGE:** Accepts stranded or solid wire up to 14 AWG
4. **WIRE TERMINATION:** Combination Phillips/Slot Screws

### ORDERING INFORMATION

DESCRIPTION	TYPE	TERMINATION	PART NUMBER
STANDARD CONNECTOR	K	MALE	TMPCNS01
		FEMALE	TMPCNS02
	T	MALE	TMPCNS03
		FEMALE	TMPCNS04
	E	MALE	TMPCNS05
		FEMALE	TMPCNS06
	J	MALE	TMPCNS07
		FEMALE	TMPCNS08

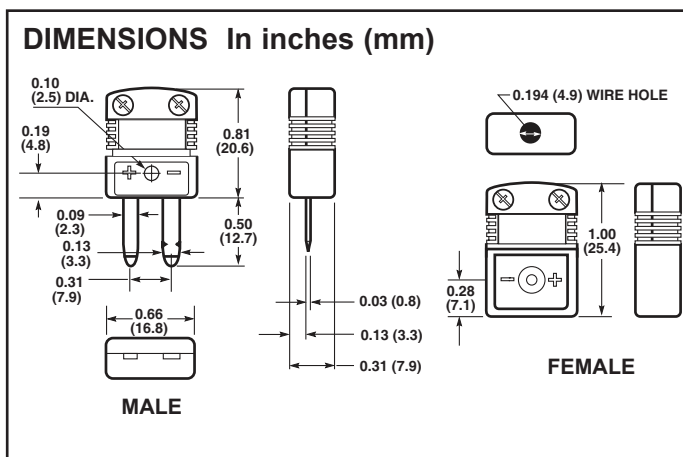


Do not dispose of unit in trash - Recycle

## MODEL TMPCN - QUICK DISCONNECT MINIATURE CONNECTORS

### GENERAL DESCRIPTION

Miniature Connectors are for use with the Miniature Quick Disconnect TC Probes. They are available in both male and female termination, and include a "write on label" for easy identification.



### SPECIFICATIONS

1. **CONNECTOR BODY MATERIAL:** Glass Filled Nylon, for temperature ranges of -29 to 220° C. (-20 to 428 °F)
2. **CONNECTOR BODY COLOR:** ANSI color coded
3. **WIRE GAGE:** Accepts stranded or solid wire up to 20 AWG
4. **WIRE TERMINATION:** Combination Phillips/Slot Screws

### ORDERING INFORMATION

DESCRIPTION	TYPE	TERMINATION	PART NUMBER
MINIATURE CONNECTOR	K	MALE	TMPCNM01
		FEMALE	TMPCNM02
	T	MALE	TMPCNM03
		FEMALE	TMPCNM04
	E	MALE	TMPCNM05
		FEMALE	TMPCNM06
	J	MALE	TMPCNM07
		FEMALE	TMPCNM08



Do not dispose of unit in trash - Recycle