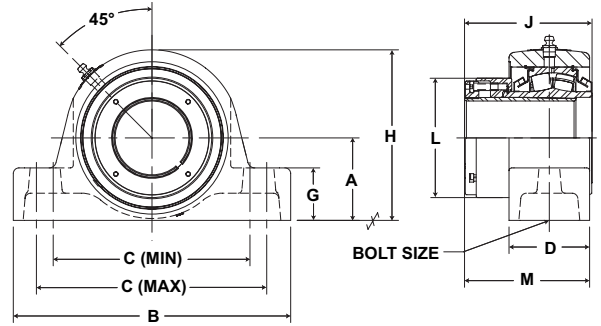




- Rolling Elements:** Spherical Roller
- Housing:** Cast Iron Two Bolt Pillow Block
- Self Alignment:** +/- 2 Degrees
- Lock:** Adapter
- Seal:** Felt
- Optional Seal:** Double Lip Contact
- Temperature:** -20° to 220° F



Med. Spherical Bearings



USRB5000A Series Two-Bolt Base Pillow Blocks - Adapter Mount

Bore Diameter	Part No.	Basic Dynamic Rating lb/N	Dimensions inch / mm										Unit Wt. lb/kg	
			A	B	C		D	G	H	J	L	M *		Bolt Size
inch					Min.	Max.								
1 1/8	USRB5000A-102	20368	1 3/4	6 5/16	4 1/2	5	2 3/16	1 1/16	3 3/4	3 11/32	2 47/64	3 11/32	3/8	6.9
1 3/16	USRB5000A-103	90597	44.5	160.3	114.3	127.0	55.6	27.0	95.3	84.9	69.5	84.9		3.12
1 1/4	USRB5000A-104													
1 7/16	USRB5000A-107	20368	1 7/8	6 7/8	4 11/16	5 5/16	2 3/16	1 3/16	3 7/8	3 11/32	2 47/64	3 11/32	1/2	6.9
1 1/2	USRB5000A-108	90597	47.6	174.6	119.1	134.9	55.6	30.2	98.4	84.9	69.5	84.9		3.12
1 11/16	USRB5000A-111	22689	2 1/8	7 3/8	5 3/16	5 13/16	2 3/16	1 5/16	4 1/4	3 29/64	2 31/32	3 3/8	1/2	8.3
1 3/4	USRB5000A-112	100921	54.0	187.3	131.8	147.6	55.6	33.3	108.0	87.7	75.4	85.7		3.77
1 15/16	USRB5000A-115	23520	2 1/4	8 3/8	5 15/16	6 9/16	2 3/16	1 3/8	4 9/16	3 1/2	3 11/64	3 13/32	5/8	10.1
2	USRB5000A-200	104617	57.2	212.7	150.8	166.7	55.6	34.9	115.9	88.9	80.6	86.5		4.58
2 3/16	USRB5000A-203	28087	2 1/2	8 7/8	6 9/16	7 1/16	2 7/16	1 5/8	5	3 7/8	3 7/16	3 27/32	5/8	12.2
		124931	63.5	225.4	166.7	179.4	61.9	41.3	127.0	98.4	87.3	97.6		5.53
2 7/16	USRB5000A-207	44691	2 3/4	9 1/4	6 13/16	7 7/16	2 11/16	1 3/4	5 11/16	4 5/16	3 63/64	4 7/32	5/8	17.3
2 1/2	USRB5000A-208	198786	69.9	235.0	173.0	188.9	68.3	44.5	144.5	109.5	101.2	107.2		7.86
2 11/16	USRB5000A-211												3/4	
2 3/4	USRB5000A-212	47447	3 1/4	10 7/16	7 13/16	8 7/16	2 13/16	2 1/4	6 7/16	4 31/64	4 25/64	4 3/8		23.8
2 15/16	USRB5000A-215	211044	82.6	265.1	198.4	214.3	71.4	57.2	163.5	113.9	111.5	111.1		10.82
3	USRB5000A-300													
3 3/16	USRB5000A-303	72640	3 3/4	13	9 1/4	10 3/4	3 3/16	2 1/4	7 1/2	5 35/64	5 15/32	5 21/64	7/8	39.1
3 7/16	USRB5000A-307	323103	95.3	330.2	235.0	273.1	81.0	57.2	190.5	140.9	138.9	135.3		17.76
3 1/2	USRB5000A-308													
3 11/16	USRB5000A-311	96050	4 1/8	14 1/4	10	11 3/4	3 9/16	2 1/2	8 7/16	5 15/16	5 13/16	5 23/32	1	50.6
3 15/16	USRB5000A-315	427230	104.8	362.0	254.0	298.5	90.5	63.5	214.3	150.8	147.6	145.3		23.01
4	USRB5000A-400													

*For expansion bearings, this dimension can increase by the corresponding value in table VIII on page I-69. One expansion unit is to be used in conjunction with one non-expansion unit for applications using an adapter lock unit. Failure to utilize one expansion and one non-expansion unit is likely to result in reduced bearing performance.