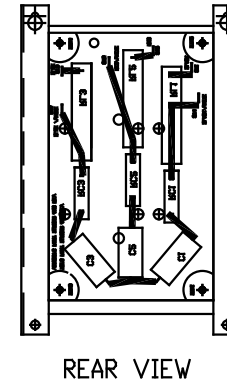
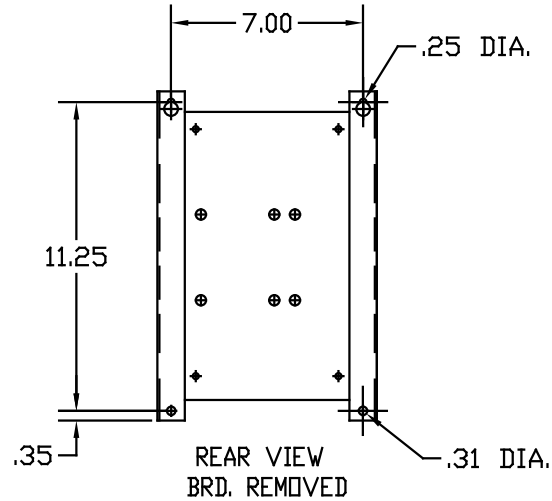
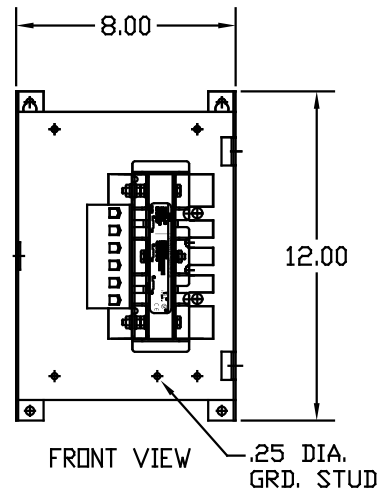
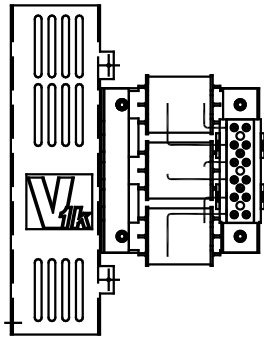


P.C. BOARD

SPECIFICATIONS:	
AMP.	55
VOLT	480
PHASE	3
HZ	60
WEIGHT, LBS.	23
ENCLOSURE	OPEN DESIGN
BASE COLOR	POLY PEEL BLACK



TERMINAL BLOCK:
 600 V.
 85 AMP
 WIRE SIZE AND TORQUE
 1 AWG THRU 4 AWG = 35 LB-IN
 6 AWG THRU 14 AWG = 30 LB-IN
 16 AWG THRU 22 AWG = 25 LB-IN

CUSTOMER IS RESPONSIBLE FOR INSTALLATION TO MEET ALL NATIONAL AND LOCAL ELECTRICAL CODES.

TOLERANCE UNLESS OTHERWISE NOTED:	
MOUNTING	+/- .06
OVERALL	+/- .12

				TOLERANCES EXCEPT AS NOTED	7878 N. 86th STREET MILWAUKEE, WI 53224
				DECIMAL	
C	ADDED TERM. BLK. SPEC	7/15/08	RJC	.XX ± .01	V1K55A00 OUTPUT FILTER 55 AMP., 480 V, OPEN
B	2493 BLOCK CHANGE	4/27/07	DSW	.XXX ± .005	
A	2484, ADD TOL. CHART			FRACTIONAL ± 1/32	
	RMVD WIRE SIZE NOTE	3/17/07	RJC	ANGULAR ± 1/2°	DRN BY RJC DATE 2/1/05 DWG. NO. 102399DG SCALE -- APPRVD. B
NO	REVISION	DATE	BY		SHT.1 OF 1