

**BALDOR® • RELIANCE** 

**Product Information Packet**

**VEBM3714T-D**

**10HP,1770RPM,3PH,60HZ,215TC,3752M,TEFC,F**

Part Detail							
Revision:	E	Status:	PRD/A	Change #:		Proprietary:	No
Type:	AC	Elec. Spec:	37WGS518	CD Diagram:	CD0005	Mfg Plant:	
Mech. Spec:	37M909	Layout:	37LYM909	Poles:	04	Created Date:	10-12-2015
Base:	N	Eff. Date:	10-24-2017	Leads:	9#14		

Specs			
Catalog Number:	VEBM3714T-D	Heater Indicator:	No Heater
Enclosure:	TEFC	Insulation Class:	F
Frame:	215TC	Inverter Code:	Inverter Ready
Frame Material:	Steel	KVA Code:	K
Output @ Frequency:	10.000 HP @ 60 HZ	Lifting Lugs:	Standard Lifting Lugs
Synchronous Speed @ Frequency:	1800 RPM @ 60 HZ	Locked Bearing Indicator:	Locked Bearing
Voltage @ Frequency:	460.0 V @ 60 HZ	Motor Lead Quantity/Wire Size:	9 @ 14 AWG
	230.0 V @ 60 HZ	Motor Lead Exit:	Ko Box
XP Class and Group:	None	Motor Lead Termination:	Flying Leads
XP Division:	Not Applicable	Motor Type:	3752M
Agency Approvals:	CE	Mounting Arrangement:	F1
	CSA	Power Factor:	85
	CSA EEV	Product Family:	General Purpose
	UR	Pulley End Bearing Type:	Ball
Auxillary Box:	No Auxillary Box	Pulley Face Code:	C-Face
Auxillary Box Lead Termination:	None	Pulley Shaft Indicator:	Standard
Base Indicator:	No Mounting	Rodent Screen:	None
Bearing Grease Type:	Polyrex EM (-20F +300F)	Shaft Extension Location:	Pulley End

<b>Blower:</b>	None	<b>Shaft Ground Indicator:</b>	No Shaft Grounding
<b>Current @ Voltage:</b>	25.400 A @ 208.0 V	<b>Shaft Rotation:</b>	Reversible
	24.000 A @ 230.0 V	<b>Shaft Slinger Indicator:</b>	No Slinger
	12.000 A @ 460.0 V	<b>Speed Code:</b>	Single Speed
<b>Design Code:</b>	A	<b>Motor Standards:</b>	NEMA
<b>Drip Cover:</b>	No Drip Cover	<b>Starting Method:</b>	Direct on line
<b>Duty Rating:</b>	CONT	<b>Thermal Device - Bearing:</b>	NONE (OLD)
<b>Electrically Isolated Bearing:</b>	Not Electrically Isolated	<b>Thermal Device - Winding:</b>	None
<b>Feedback Device:</b>	NO FEEDBACK	<b>Vibration Sensor Indicator:</b>	No Vibration Sensor
<b>Front Face Code:</b>	Fan Housing Cover For Brake	<b>Winding Thermal 1:</b>	None
<b>Front Shaft Indicator:</b>	None	<b>Winding Thermal 2:</b>	None

Nameplate NP2934L									
CAT.NO.	VEBM3714T-D								
SPEC.	37M909S518G1								
HP	10								
VOLTS	230/460								
AMP	24/12								
RPM	1770								
FRAME	215TC			HZ	60		PH	3	
SER.F.	1.15		CODE	K	DES	A	CL	F	
NEMA-NOM-EFF	91.7		PF	85					
RATING	40C AMB-CONT								
CC	010A			USABLE AT 208V			25.4		
DE	6307			ODE	6206				
ENCL	TEFC		SN						
	IP44								

Parts List		
Part Number	Description	Quantity
SA309277	SA 37M909S518G1	1.000 EA
RA296627	RA 37M909S518G1	1.000 EA
HW3200A01	3/8-16X3/4 I-BLT WELDED F/S	1.000 EA
37CB3006A12	37 CB 1.38 DIA @ 6:00, .88 DIA @ 12:00	1.000 EA
37GS1000SP	GASKET, CONDUIT BOX STD., .06 THICK LEXI	1.000 EA
51XW2520A12	.25-20 X .75, TAPTITE II, HEX WSHR SLTD	2.000 EA
WD4500A77	CORD CONN, .50 NPT,	1.000 EA
11XW1032G06	10-32 X .38, TAPTITE II, HEX WSHR SLTD U	1.000 EA
07EP1901A07	FREP FOR 07FH1002A09 ASS'Y	1.000 EA
HW4500A01	1641B(ALEMITE)400 UNIV, GREASE FITT	1.000 EA
HW5100A06	W2420-025 WVY WSHR (WB)	1.000 EA
37PE3300A01	PUEP ASSEMBLY FOR ROUTING	1.000 EA
HW4500A01	1641B(ALEMITE)400 UNIV, GREASE FITT	1.000 EA
10XN2520A30	HEX HD CAP SCREW-STD THD-.25 X 20 THD PE	4.000 EA
HW1001A25	LOCKWASHER 1/4, ZINC PLT .493 OD, .255 I	4.000 EA
XY3118A12	5/16-18 HEX NUT DIRECTIONAL SERRATION	4.000 EA
BR2004E01	BRK HUB,1.12 DIA JRNL W/.25 KEY (032416)	1.000 EA
10XN3816K64	3/8-16X4 HX HD CAP SCREW, GRADE 5	4.000 EA
HW1001A38	LOCKWASHER 3/8, ZINC PLT .688 OD, .382 I	4.000 EA
WD4500A77	CORD CONN, .50 NPT,	1.000 EA
WD4108B06	T&B RB 121, 3/4 X 1/2 REDUCING BUSHING	1.000 EA
WD4608A01	.50 FLEX CONDUIT LIQ-TITE (VINYL ONLY)	1.000 FT
WD4006A01	WIRE JOINT,T&B RB-4 OR RB-44	1.000 EA
HA6A33A01	ADAPTER 182-4T FOR D-SERIES BRK (024448)	1.000 EA

Parts List (continued)		
Part Number	Description	Quantity
51XB1214A20	12-14X1.25 HXWSSLD SERTYB	1.000 EA
07FH1002A09	FAN COVER, MACH FOR 07EP1901A07	1.000 EA
WD4100A02	DP-1000 HEYCO PLUG OR 62MP1000 MICRO PL	1.000 EA
10XN3118A52	5/16-18 X 3-1/4 HEX HEAD CAP SCR,GR.5,Z/	4.000 EA
HW1001A31	LOCKWASHER 5/16, ZINC PLT.591 OD, .319 I	4.000 EA
HA1103A13	#4 X 4 SCREEN FOR FAN CVR 07FH1002 (MR21	1.000 EA
13XT0832A07	8-32X7/16 TYP 23 PAN HD SLT DX	4.000 EA
37CB4516	LIPPED LID FOR 37 FRAME NEC KOBX	1.000 EA
37GS1008	37 GS FOR CB LID - LEXIDE	1.000 EA
51XW0832A07	8-32 X .44, TAPTITE II, HEX WSHR SLTD SE	4.000 EA
HW2501F21	KEY, 5/16 SQ X 2.375	1.000 EA
HA7000A02	KEY RETAINER RING, 1 1/8 DIA, 1 3/8 DIA	1.000 EA
85XU0407S04	4X1/4 U DRIVE PIN STAINLESS	2.000 EA
LB1115N	LABEL,LIFTING DEVICE (ON ROLLS)	1.000 EA
LB1419	CONNECTION LABEL	1.000 EA
MJ1000A02	GREASE, POLYREX EM EXXON (USe 4824-15A)	0.050 LB
37FN3002A01SP	EXFN, PLASTIC, 9.00 OD, 1.155 ID	1.000 EA
MG1025N19	MUNSELL 8.5BG 3.57/2.0, GLOSS 30, B/G,	0.028 GA
HA3104A25	THRUBOLT .31-18 X 14.75	4.000 EA
46BK0700B01	DBSC-V-35-MA-230/460 VAC	1.000 EA
LB1119N	WARNING LABEL	1.000 EA
LC0005	CONN.DIA.,TY M,9-LD,DUAL VOLT,REVERSING	1.000 EA
MN416A01	TAG-INSTAL-MAINT no wire (1200/bx) 5/18	1.000 EA
NP2934L	ALUM SUPER-E UL CSA-EEV CE CC PREM	1.000 EA

37PA1039	PALLET PACK GROUP, BLANK PK1148	1.000 EA
----------	---------------------------------	----------

**AC Induction Motor Performance Data**

Record # 62607 - Typical performance - not guaranteed values

<b>Winding:</b> 37WGS518-R015	<b>Type:</b> 3752M	<b>Enclosure:</b> TEFC
-------------------------------	--------------------	------------------------

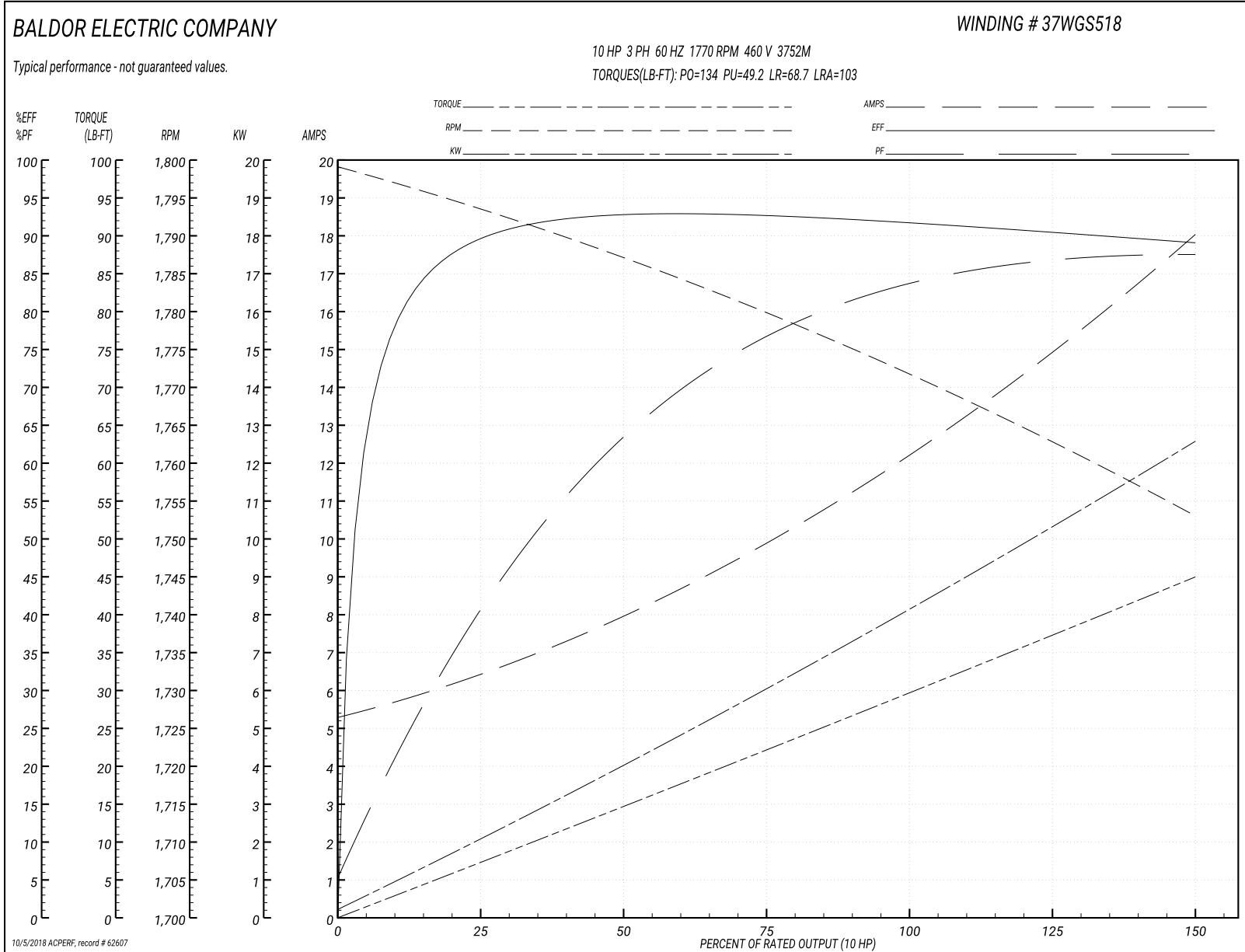
Nameplate Data				460 V, 60 Hz: High Voltage Connection	
Rated Output (HP)	10			Full Load Torque	29.45 LB-FT
Volts	230/460			Start Configuration	direct on line
Full Load Amps	24/12			Breakdown Torque	134 LB-FT
R.P.M.	1770			Pull-up Torque	49.2 LB-FT
Hz	60	Phase	3	Locked-rotor Torque	68.7 LB-FT
NEMA Design Code	A	KVA Code	K	Starting Current	103 A
Service Factor (S.F.)	1.15			No-load Current	5.49 A
NEMA Nom. Eff.	91.7	Power Factor	85	Line-line Res. @ 25°C	0.937 Ω
Rating - Duty	40C AMB-CONT			Temp. Rise @ Rated Load	63°C
S.F. Amps				Temp. Rise @ S.F. Load	77°C
				Locked-rotor Power Factor	35.5
				Rotor inertia	1.28 LB-FT <sup>2</sup>

Load Characteristics 460 V, 60 Hz, 10 HP

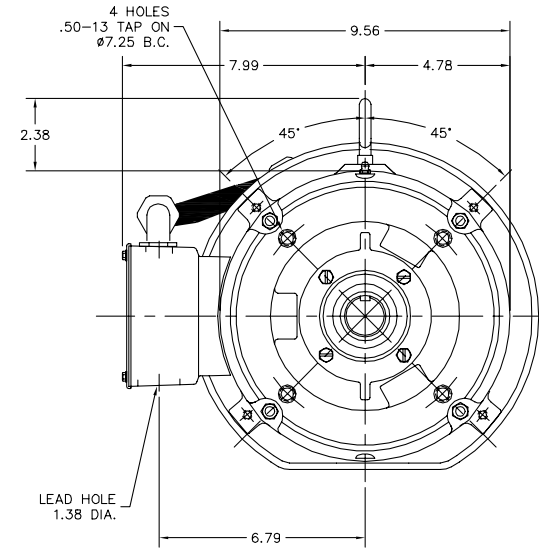
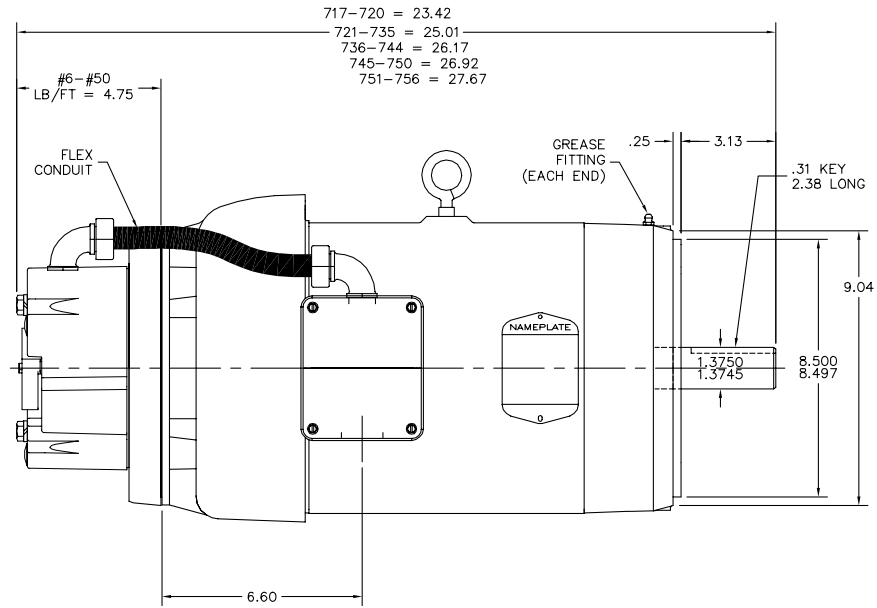
% of Rated Load	25	50	75	100	125	150	S.F.
Power Factor	42	64	76	82	86	88	84
Efficiency	88.6	92.4	92.7	91.8	90.8	88.9	91.2
Speed	1794	1787	1780	1772	1763	1753	1767
Line amperes	6.14	7.8	9.9	12.3	15	17.9	13.9



Performance Graph at 460V, 60Hz, 10.0HP Typical performance - Not guaranteed values



37LYM909



37LYM909

CUSTOMER IS RESPONSIBLE FOR DETERMINING THAT BALDOR'S PRODUCT WILL PERFORM SUITABLY IN THE INTENDED APPLICATION.

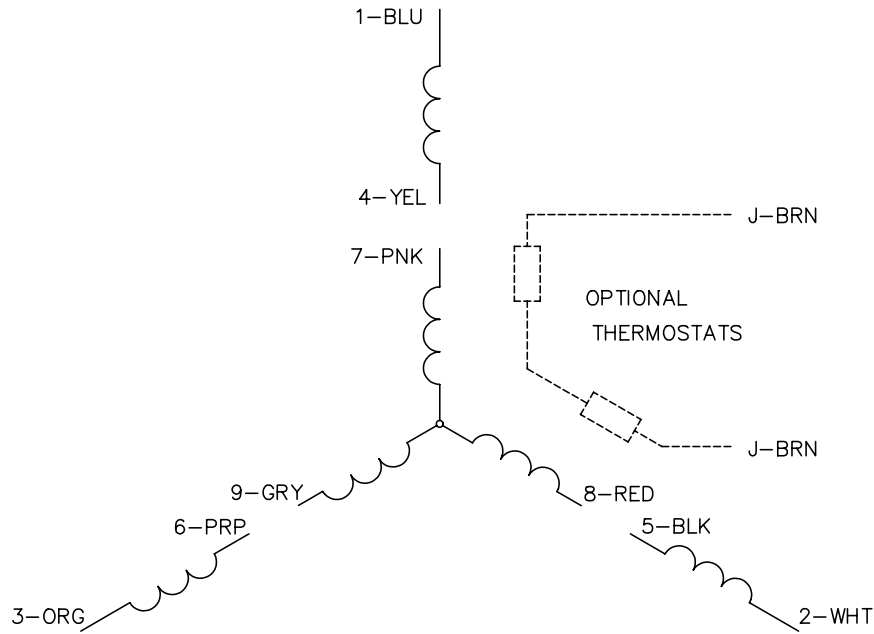
REV. DESC: NEW	VERSION: 00	TDR: 00000787216
REV. LTR: -	REVISD: 03:03:54 02/22/2013	BY: ENFRAJ0
FILE: \AAA\00198\525		
MTL: -		

**BALDOR**

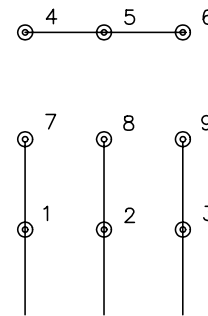
VER 213-5TC TEFC 37M, C-FACE FH, DODGE 'D' BRAKE, EPACT

SH 1 of 1

CD0005

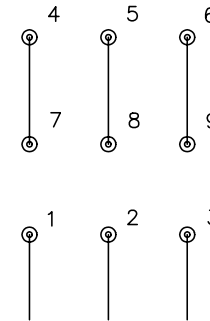


LOW VOLTAGE  
(2Y)



LINE

HIGH VOLTAGE  
(1Y)



LINE

NOTES:

1. INTERCHANGE ANY TWO LINE LEADS TO REVERSE ROTATION.
2. OPTIONAL THERMOSTATS ARE PROVIDED WHEN SPECIFIED.
3. ACTUAL NUMBER OF INTERNAL PARALLEL CIRCUITS MAY BE A MULTIPLE OF THOSE SHOWN ABOVE.
4. LEAD COLORS ARE OPTIONAL. LEADS MUST ALWAYS BE NUMBERED AS SHOWN.

REV. DESC: REVISE TO SHOW OPTIONAL COLORS			
REV. LTR: E	BY: JLP	REVISED: 01/19/99 10:15	TDR: 0171435
90000		FILE: AAA00005140	MDL: -
		MTL: -	

**BALDOR ELECTRIC Co.**

3PH, DV, 9 LEADS

CD0005