

**BALDOR® • RELIANCE** 

**Product Information Packet**

**VECP3586T-4**

**2HP,3450RPM,3PH,60HZ,145TC,0532M,TEFC,F1**

Part Detail							
Revision:	S	Status:	PRD/A	Change #:		Proprietary:	No
Type:	AC	Elec. Spec:	05WGW090	CD Diagram:	CD0006	Mfg Plant:	
Mech. Spec:	05F006	Layout:	05LYF006	Poles:	02	Created Date:	02-20-2011
Base:	N	Eff. Date:	10-04-2018	Leads:	3#18		

Specs			
Catalog Number:	VECP3586T-4	Insulation Class:	F
Enclosure:	TEFC	Inverter Code:	Inverter Ready
Frame:	145TC	KVA Code:	N
Frame Material:	Iron	Lifting Lugs:	No Lifting Lugs
Output @ Frequency:	2.000 HP @ 60 HZ	Locked Bearing Indicator:	Locked Bearing
Synchronous Speed @ Frequency:	3600 RPM @ 60 HZ	Motor Lead Quantity/Wire Size:	3 @ 18 AWG
Voltage @ Frequency:	460.0 V @ 60 HZ	Motor Lead Exit:	Ko Box
XP Class and Group:	CLI GP A,B,C,D	Motor Lead Termination:	Flying Leads
XP Division:	Division II	Motor Type:	0532M
Agency Approvals:	CSA EEV	Mounting Arrangement:	F1
	UR	Power Factor:	85
	CSA	Product Family:	Chemical Processing (Not DC)
	CCSA US	Pulley End Bearing Type:	Ball
Auxillary Box:	No Auxillary Box	Pulley Face Code:	C-Face
Auxillary Box Lead Termination:	None	Pulley Shaft Indicator:	Standard
Base Indicator:	No Mounting	Rodent Screen:	None
Bearing Grease Type:	Polyrex EM (-20F +300F)	Shaft Extension Location:	Pulley End
Blower:	None	Shaft Ground Indicator:	No Shaft Grounding

<b>Constant Torque Speed Range:</b>	6	<b>Shaft Rotation:</b>	Reversible
<b>Current @ Voltage:</b>	2.500 A @ 460.0 V	<b>Shaft Slinger Indicator:</b>	Shaft Slinger
<b>Design Code:</b>	B	<b>Speed Code:</b>	Single Speed
<b>Drip Cover:</b>	Drip Cover	<b>Motor Standards:</b>	NEMA
<b>Duty Rating:</b>	CONT	<b>Starting Method:</b>	Direct on line
<b>Electrically Isolated Bearing:</b>	Not Electrically Isolated	<b>Thermal Device - Bearing:</b>	NONE (OLD)
<b>Feedback Device:</b>	NO FEEDBACK	<b>Thermal Device - Winding:</b>	None
<b>Front Face Code:</b>	Standard	<b>Vibration Sensor Indicator:</b>	No Vibration Sensor
<b>Front Shaft Indicator:</b>	None	<b>Winding Thermal 1:</b>	None
<b>Heater Indicator:</b>	No Heater	<b>Winding Thermal 2:</b>	None
		<b>XP Temp Code:</b>	T4

<b>Nameplate NP3258E</b>										
<b>CAT.NO.</b>	VECP3586T-4									
<b>SPEC.</b>	05F006W090G1									
<b>HP</b>	2	TE								
<b>VOLTS</b>	460									
<b>AMP</b>	2.5									
<b>RPM</b>	3450									
<b>FRAME</b>	145TC				<b>HZ</b>	60		<b>PH</b>	3	
<b>SER.F.</b>	1.15			<b>CODE</b>	N		<b>DES</b>	B		
<b>RATING</b>	40C AMB-CONT									
<b>SN</b>										
<b>DE</b>	6205				<b>ODE</b>	6205				
<b>NEMA-NOM-EFF</b>	86.5				<b>PF</b>	85				
<b>G.MIN.EFF</b>	84.0				<b>CC</b>	010A				
<b>T. CODE</b>	T4				<b>T=</b>	135				
								<b>CL</b>	F	

<b>Nameplate NP3261E</b>			
<b>SPEC.</b>	05F006W090G1		
<b>D.E. BRG.</b>	25BC02XP30X		
<b>O.D.E. BRG.</b>	25BC02XP30X		
<b>GREASE</b>	POLYREX EM		
<b>RPM MAX</b>	5400	<b>MAX. KVAR</b>	0.23
<b>BLANK</b>			
<b>INV. TYPE</b>	PWM		
<b>T=</b>	135		
<b>C HP FR</b>	60		
<b>CT HZ FROM</b>	6		
<b>VT HZ FROM</b>	3		
<b>C HP TO</b>	90		
<b>CT HZ TO</b>	60		
<b>VT HZ TO</b>	60		
<b>HTR-VOLTS</b>			
<b>HTR-WATTS</b>			
<b>HTR-AMPS</b>			
<b>MAX. SPACE HEATER TEMP.</b>			

Parts List		
Part Number	Description	Quantity
SA217869	SA 05F006W090G1	1.000 EA
RA205048	RA 05F006W090G1	1.000 EA
06CB1000A02G	CONDUIT BOX, MACH GRAY	1.000 EA
RM1016	LEAD SEPARATOR GASKET - 305/306 C.P.MOTO	1.000 EA
51XW2520A12	SCREW, HEX SER SLT HD, ZN, 1/4-20 X .75	2.000 EA
11XW1032G06	10-32 X .38, TAPTITE II, HEX WSHR SLTD U	1.000 EA
HW3001B01	BRASS CUP WASHER, FOR #10 SCREW	1.000 EA
10XN2520S06	1/4 20X3/8 HX HD CAP S.S.	2.000 EA
WD1000B16	T&B CX70TN TERMINAL	1.000 EA
35EP1102B03G	FREP TEFC 205 BRG,GRSR,RLF, .125 NPT DRAI	1.000 EA
HW4500A19	1/4-28X1/4 SLOTTED PLUG F/S	1.000 EA
HW4500A17	317400 ALEMITE GREASE RELIEF	1.000 EA
HA4054	SHORT T-DRAIN FITTING, .125" N.P.T.	1.000 EA
HW5100A05	WVY WSHR F/205 & 304 BRGS	1.000 EA
35EP1329A16G	PUEP ENCL 143-5TC 205 BRG,GRSR,RLF,NPT D	1.000 EA
HW4500A19	1/4-28X1/4 SLOTTED PLUG F/S	1.000 EA
HW4500A17	317400 ALEMITE GREASE RELIEF	1.000 EA
HA4054	SHORT T-DRAIN FITTING, .125" N.P.T.	1.000 EA
51XN1032A20	10-32 X 1 1/4 HX WS SL SR	2.000 EA
06CB1502A01G	LIPPED CONDUIT BOX LID, MACH GRAY EPOXY	1.000 EA
HA3100A28	THRUBOLT 10-32 X 8.187	4.000 EA
51XB1214A16	12-14X1.00 HXWSSLD SERTYB	1.000 EA
35FH1000A04G	FAN COVER 35FH1000 - (GRAY)	1.000 EA
10XN2520A18	1/4-20 X 1-1/8 HEX CAP SCREW.	3.000 EA

Parts List (continued)		
Part Number	Description	Quantity
HW1001A25	LOCKWASHER 1/4, ZINC PLT .493 OD, .255 I	3.000 EA
WD4100A03	DE-750 HEYCO PLUG 62MP0750 MICRO PLASTIC	1.000 EA
35FH4500A01	DRIP COVER, STAMPED X - W/PRIMED	1.000 EA
HA2001A13	35-10103 SPACER WELKER	3.000 EA
51XN1032A20	10-32 X 1 1/4 HX WS SL SR	3.000 EA
06GS1003	GASKET, KOBX LID, 1/8" THICK BLACK NEOPR	1.000 EA
10XN2520A12	O1/4-20X 3/4 HEX HEAD CAP	2.000 EA
HW1001A25	LOCKWASHER 1/4, ZINC PLT .493 OD, .255 I	2.000 EA
HW4600B32SP	V-RING SLINGER 1.000 X 1.540 X .24 VITON	1.000 EA
HA1005A03SP	SLINGER, OD 1.750, ID .938, 205 BRG	1.000 EA
HW2501D13	KEY, 3/16 SQ X 1.375	1.000 EA
HA7000A01	KEY RETAINER 7/8" DIA SHAFT	1.000 EA
MJ5001A27	32220KN GRAY SEALER *MIN BUY 4 QTS=1GAL	0.001 QT
85XU0407S04	4X1/4 U DRIVE PIN STAINLESS	2.000 EA
MJ1000A02	GREASE, POLYREX EM EXXON (USe 4824-15A)	0.050 LB
34FN3002A01SP	EXTERNAL FAN, PLASTIC, .637/.639 HUB W/	1.000 EA
MG1025N19	WILKOFASST, 778.50, RELIANCE BLUE-GREEN	0.022 GA
MG1500Y02	WILKOPON PRIMER YELLOW	0.022 GA
WD1000D21	TRM,T&B #B71M,RING,18-14,.25,NON-INSL	9.000 EA
LB1119N	WARNING LABEL	1.000 EA
LC0006	CONNECTION LABEL	1.000 EA
LB1449	DIV-2/NEC WARNING LABEL	1.000 EA
NP3258E	SS CP SUPER-E DIV-2 UL CSA-C US EEV CC	1.000 EA
NP3261E	SS CP SUPER-E AUX DATA INFORMATION	1.000 EA

Product Information Packet: VECP3586T-4 - 2HP,3450RPM,3PH,60HZ,145TC,0532M,TEFC,F1

85XU0407S04	4X1/4 U DRIVE PIN STAINLESS	2.000 EA
36PA1000	PKG GRP, PRINT PK1016A06	1.000 EA
PK3083T	STYROFOAM PACKING CRADLE	1.000 EA
MN416A01	TAG-INSTAL-MAINT no wire (1200/bx) 5/18	1.000 EA
PK3088	MICROFOAM, 8"X"8 PERF. SHEETS 5,400/RL	1.000 EA



**AC Induction Motor Performance Data**

Record # 47133 - Typical performance - not guaranteed values

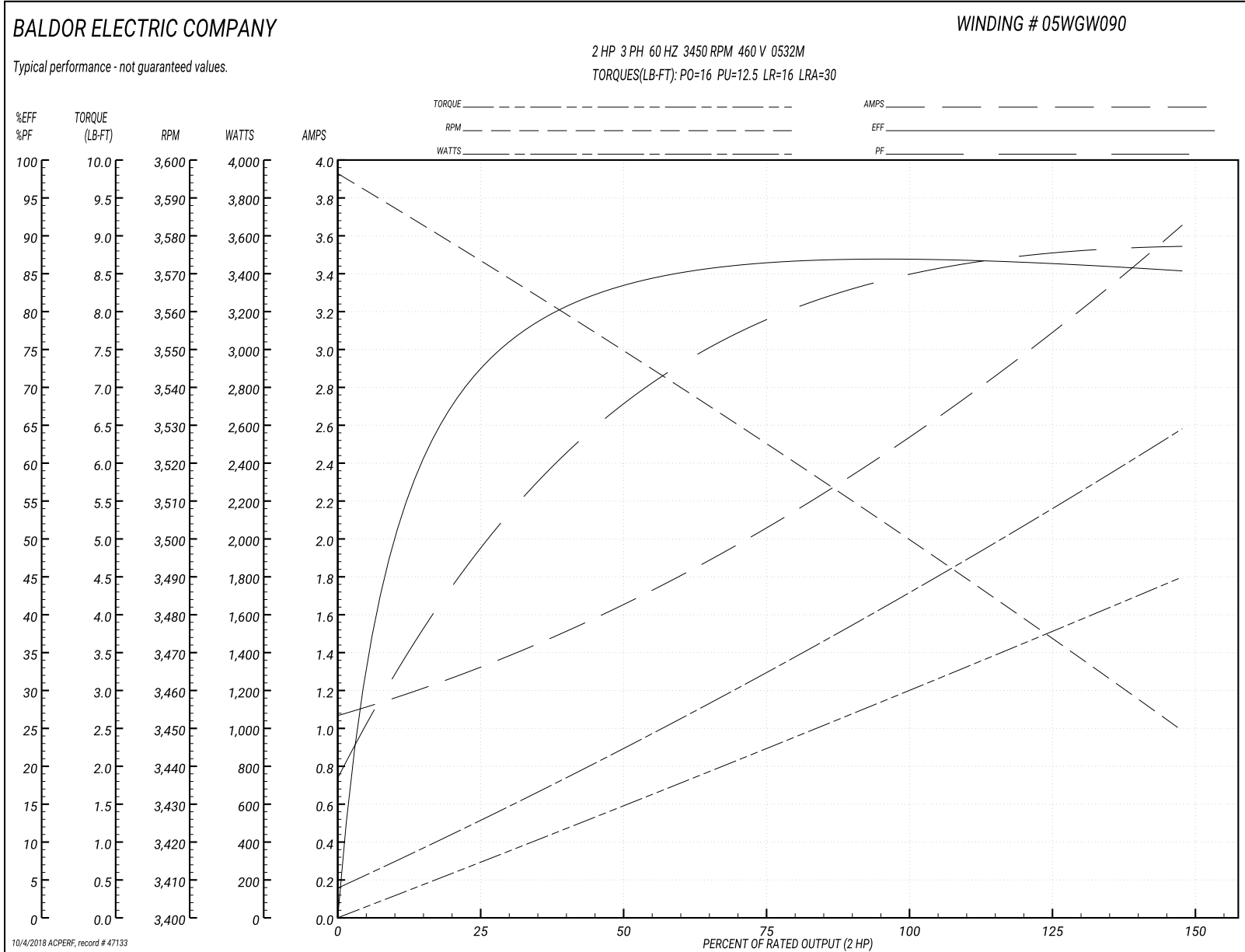
<b>Winding:</b> 05WGW090-R001	<b>Type:</b> 0532M	<b>Enclosure:</b> TEFC
-------------------------------	--------------------	------------------------

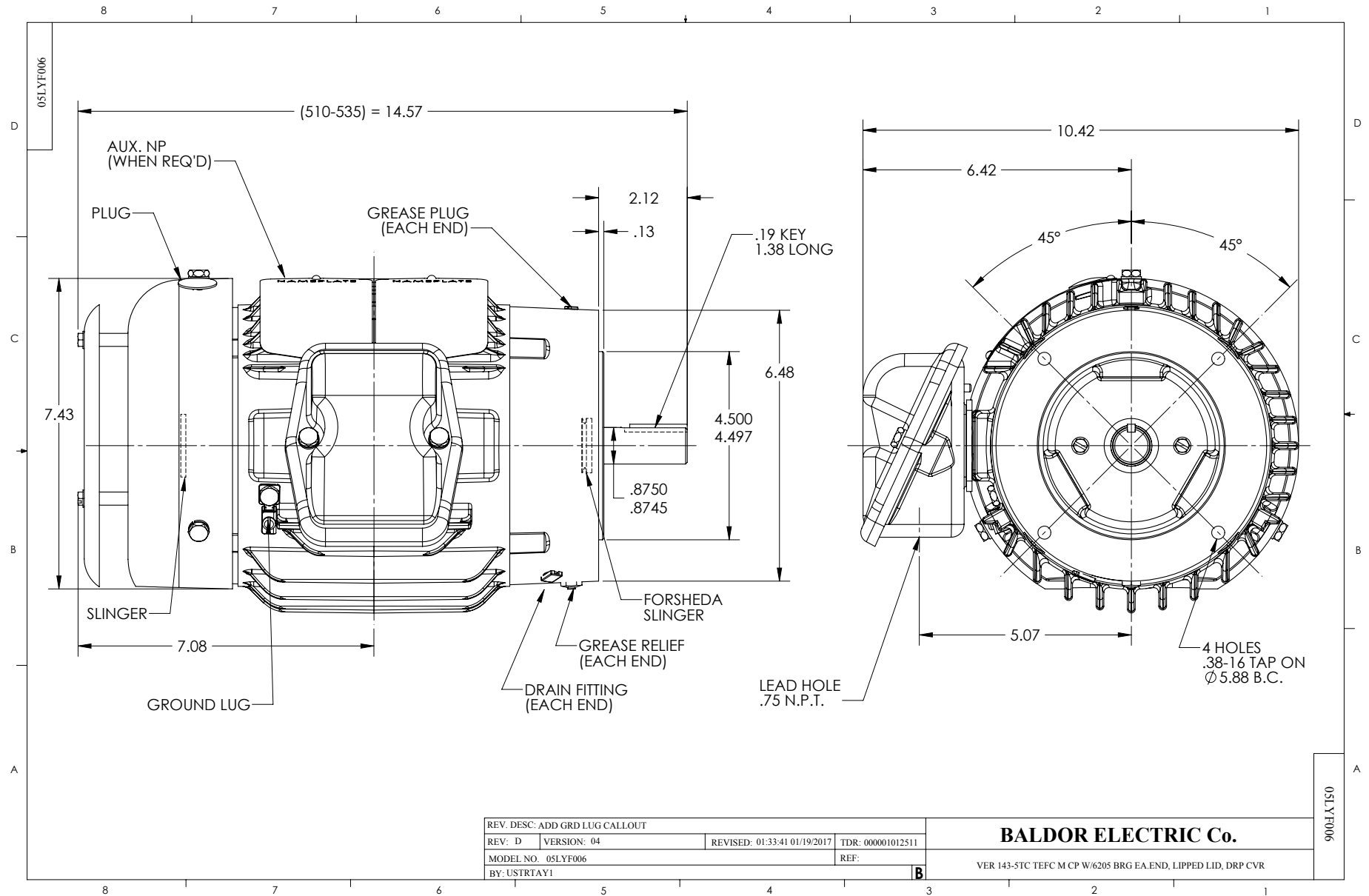
Nameplate Data				460 V, 60 Hz: Single Voltage Motor	
Rated Output (HP)	2			Full Load Torque	3 LB-FT
Volts	460			Start Configuration	direct on line
Full Load Amps	2.5			Breakdown Torque	16 LB-FT
R.P.M.	3450			Pull-up Torque	12.5 LB-FT
Hz	60	Phase	3	Locked-rotor Torque	16 LB-FT
NEMA Design Code	B	KVA Code	N	Starting Current	30 A
Service Factor (S.F.)	1.15			No-load Current	1.1 A
NEMA Nom. Eff.	86.5	Power Factor	85	Line-line Res. @ 25°C	5.4 Ω
Rating - Duty	40C AMB-CONT			Temp. Rise @ Rated Load	31°C
S.F. Amps				Temp. Rise @ S.F. Load	36°C
				Rotor inertia	0.0885 LB-FT <sup>2</sup>

Load Characteristics 460 V, 60 Hz, 2 HP

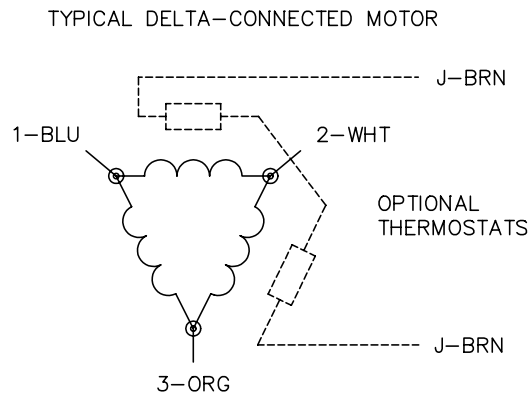
% of Rated Load	25	50	75	100	125	150	S.F.
Power Factor	50	70	80	85	88	89	87
Efficiency	75.2	83.8	86.2	86.5	86.4	85.5	86.5
Speed	3571	3548	3525	3501	3476	3448	3486
Line amperes	1.28	1.65	2.09	2.55	3.08	3.64	2.9

Performance Graph at 460V, 60Hz, 2.0HP Typical performance - Not guaranteed values





CD0006



NOTES:

1. THREE LEAD MOTOR MAY BE EITHER WYE CONNECTED OR DELTA CONNECTED.
2. INTERCHANGE ANY TWO LINE LEADS TO REVERSE ROTATION.
3. OPTIONAL THERMOSTATS ARE PROVIDED WHEN SPECIFIED.
4. ACTUAL NUMBER OF INTERNAL PARALLEL CIRCUITS MAY VARY.
5. LEAD COLORS ARE OPTIONAL. LEADS MUST BE NUMBERED AS SHOWN.

REV. DESC: REVISE TO SHOW OPTIONAL COLORS			
REV. LTR: D	BY: JLP	REVISED: 01/21/99 4:02	TDR: 0171435
9000D		FILE: AAA00005141	MDL: -
		MTL: -	

**BALDOR ELECTRIC Co.**

3PH, SV, 3 LEADS, WYE OR DELTA CONNECTED

CD0006