

BALDOR® • RELIANCE 

Product Information Packet

VECP82394T-4

15HP,3510RPM,3PH,60HZ,254TC,0934M,TEFC,F

Part Detail							
Revision:	X	Status:	PRD/A	Change #:		Proprietary:	No
Type:	AC	Elec. Spec:	09WGY948	CD Diagram:	CD0006	Mfg Plant:	
Mech. Spec:	09K208	Layout:	09LYK208	Poles:	02	Created Date:	07-26-2013
Base:	N	Eff. Date:	09-25-2018	Leads:	3#12		

Specs			
Catalog Number:	VECP82394T-4	Insulation Class:	F
Enclosure:	TEFC	Inverter Code:	Inverter Duty
Frame:	254TC	KVA Code:	G
Frame Material:	Iron	Lifting Lugs:	Standard Lifting Lugs
Output @ Frequency:	15.000 HP @ 60 HZ	Locked Bearing Indicator:	Locked Bearing
Synchronous Speed @ Frequency:	3600 RPM @ 60 HZ	Motor Lead Quantity/Wire Size:	3 @ 12 AWG
Voltage @ Frequency:	460.0 V @ 60 HZ	Motor Lead Exit:	Ko Box
XP Class and Group:	CLI GP A,B,C,D	Motor Lead Termination:	Ring Terminals
XP Division:	Division II	Motor Type:	0934M
Agency Approvals:	CSA EEV	Mounting Arrangement:	F1
	UR	Power Factor:	89
	CSA	Product Family:	Chem Process S/P 32-8 IEEE 841
	CCSA US	Pulley End Bearing Type:	Ball
Auxillary Box:	No Auxillary Box	Pulley Face Code:	C-Face
Auxillary Box Lead Termination:	None	Pulley Shaft Indicator:	Standard
Base Indicator:	No Mounting	Rodent Screen:	None
Bearing Grease Type:	Polyrex EM (-20F +300F)	Shaft Extension Location:	Pulley End
Blower:	None	Shaft Ground Indicator:	No Shaft Grounding

Constant Torque Speed Range:	6	Shaft Rotation:	Reversible
Current @ Voltage:	17.000 A @ 460.0 V	Shaft Slinger Indicator:	No Slinger
Design Code:	B	Speed Code:	Single Speed
Drip Cover:	No Drip Cover	Motor Standards:	NEMA
Duty Rating:	CONT	Starting Method:	Direct on line
Electrically Isolated Bearing:	Not Electrically Isolated	Thermal Device - Bearing:	NONE (OLD)
Feedback Device:	NO FEEDBACK	Thermal Device - Winding:	None
Front Face Code:	Standard	Vibration Sensor Indicator:	No Vibration Sensor
Front Shaft Indicator:	None	Winding Thermal 1:	None
Heater Indicator:	No Heater	Winding Thermal 2:	None
		XP Temp Code:	T3C

Nameplate NP3190												
STK.NO.	VECP82394T-4		P/N			ENCLOSURE	TEFC					
SPEC.	09K208Y948		CC	010A	FRAME	254TC		S/N				
HP	15		CLASS	F	HZ	60		ODE BRG	6309	DE BRG	6309	
RPM	3520	RPM MAX	5400		PH	3	DES	B		D.E. BRG.	45BC03X30X	
VOLT	460		KVA-CODE	G		O.D.E. BRG.	45BC03X30X					
AMP	17		MOTOR WEIGHT	304		GREASE	POLYREX EM					
RATING	40C AMB-CONT		MAX. KVAR	1.6		BLANK						
NEMA-NOM-EFF	91	# OF ROTOR BARS	28		SER.F.	1.15		IP				
G.MIN.EFF	89.5	# OF STATOR SLOTS	36		PF	89		INV.TYPE	PWM			
TEMP CODE	T3C		INVERTER-TEMP-CODE	180								
TEMP =	160		C HP FR	60	C HP TO	90						
CT HZ FROM	6	CT HZ TO	60									
HTR-VOLTS			HTR-AMPS			HTR-WATTS			MAX. SPACE HEATER TEMP.			
								VT HZ FROM	0	VT HZ TO	60	

Parts List		
Part Number	Description	Quantity
SA266740	SA 09K208Y948	1.000 EA
RA253426	RA 09K208Y948	1.000 EA
37FN3002C02	EXFN, PLASTIC, 6.00 OD, 1.503 ID	1.000 EA
10XN3118K08	5/16-18 X .50 GRADE #5, STL, ZINC PLATE	1.000 EA
HW1001A31	LOCKWASHER 5/16, ZINC PLT.591 OD, .319 I	1.000 EA
09EP1118A02GP6	FREP MACH, 309 BRG. EPOXY PRIMER	1.000 EA
HW1002A63	WASHER, 5/8 HI-COLLAR SPRLCKWASHER	1.000 EA
09CB1002A12P	KOBX W/1.25 NPT LEAD HOLE & 2.38 MTG HOL	1.000 EA
09GS1010	GASKET, DWG, LEADWIRE SEPERATOR	1.000 EA
10XN2520K12	1/4-20 X.75 GRD 5	4.000 EA
HW1001A25	LOCKWASHER 1/4, ZINC PLT .493 OD, .255 I	4.000 EA
WD1000B16	T&B CX70TN TERMINAL	1.000 EA
10XN2520K06	1/4-20 X 3/8" HX HD SCREWGRADE 5, ZINC P	1.000 EA
HW1001A25	LOCKWASHER 1/4, ZINC PLT .493 OD, .255 I	1.000 EA
HA3400A39	STUD- 3/8-16 X 6.44 OAL HEX	4.000 EA
HW1001A38	LOCKWASHER 3/8, ZINC PLT .688 OD, .382 I	4.000 EA
12CB1503P	CONDUIT BOX LID, CAST W/EPOXY PRIMER	1.000 EA
12GS1002	GASKET, CONDUIT BOX LID, NEOP	1.000 EA
HW1001A31	LOCKWASHER 5/16, ZINC PLT.591 OD, .319 I	2.000 EA
HW4500A20	1/8NPT SL PIPE PLUG	1.000 EA
HA4017A08	.125X3.50 GREASER EXTEN.	1.000 EA
HA4017A10	1/8X1.25 GREASE EXT (F/S)	1.000 EA
HW4019A01	PIPE COUPLING 1/8 NPT,STEEL,ZINC COATING	1.000 EA
HW4601A61	INPRO SEAL #1698-A-17120-0, VBXX 309 BRG	1.000 EA

Parts List (continued)		
Part Number	Description	Quantity
HW5100A11	W3917-042 WVY WSHR (WB)	1.000 EA
10XN2520K36	1/4-20 X 2.25" HX HD SCRWGRADE 5, ZINC P	4.000 EA
09EP1318A01P	ENDPLATE, MACH EPOXY PRIMER	1.000 EA
10XN3816K28	3/8-16 X 1.75 HEX HD CAP SCREW, GRADE 5	4.000 EA
HW1001A38	LOCKWASHER 3/8, ZINC PLT .688 OD, .382 I	4.000 EA
HW4500A20	1/8NPT SL PIPE PLUG	1.000 EA
HW4601A61	INPRO SEAL #1698-A-17120-0, VBXX 309 BRG	1.000 EA
10XN2520K36	1/4-20 X 2.25" HX HD SCRWGRADE 5, ZINC P	4.000 EA
XY3816A12	3/8-16 FINISHED NUT	4.000 EA
HW1001A38	LOCKWASHER 3/8, ZINC PLT .688 OD, .382 I	4.000 EA
MJ5004A59	ADHESIVE LOCTITE #401 SURFACE INSENSITIV	0.010 EA
HW2501G25	KEY, 3/8 SQ X 2.875	1.000 EA
MJ5001A14	DYNAPRO SEALANT, CP MTR VC#2508050 (603	0.023 EA
MJ5002A01	SILICON RUBBER SEALANT, 732CL 10.3 OZ TU	0.025 EA
LB1115N	LABEL,LIFTING DEVICE (ON ROLLS)	1.000 EA
MN416A01	TAG-INSTAL-MAINT no wire (1200/bx) 5/18	1.000 EA
WD1000B49	T&B C73,RING TERMINAL 10-12 AWG 3/8 STUD	3.000 EA
WD1000B25	GND LUG, BURNDY L125HP OR T&B L125HP-BB	1.000 EA
HW4500A21	1618BALEMITE FITTING 825 UNIVERSAL	1.000 EA
HA4051A00	PLASTIC CAP FOR GREASE FITTING	1.000 EA
HW4500A17	317400 ALEMITE GREASE RELIEF	1.000 EA
HA4002A03	#304 S.S. DRAIN FITTING, .125 NPT (.44 H	1.000 EA
MJ1000A02	GREASE, POLYREX EM EXXON (USe 4824-15A)	0.080 LB
HW4500A03	GREASE FITTING, .125 NPT 1610(ALEMITE) 8	1.000 EA

HA4051A00	PLASTIC CAP FOR GREASE FITTING	1.000 EA
HW4500A17	317400 ALEMITE GREASE RELIEF	1.000 EA
HA4002A03	#304 S.S. DRAIN FITTING, .125 NPT (.44 H	1.000 EA
MJ5001A27	32220KN GRAY SEALER *MIN BUY 4 QTS=1GAL	0.031 QT
HW2500A25	WOODRUFF KEY USA #1008 #BLOW CARBON STEE	1.000 EA
51XB1214A20	12-14X1.25 HXWSSLD SERTYB	1.000 EA
09FH1000GP6	FAN COVER, CAST W/EPOXY PRIMER & PAINT	1.000 EA
10XN3118K16	5/16-18 X 1' GRADE #5, STL, ZINC PLATE	2.000 EA
MG1025N19	WILKOFASST, 778.50, RELIANCE BLUE-GREEN	0.050 GA
85XU0407S04	4X1/4 U DRIVE PIN STAINLESS	4.000 EA
LB1449	DIV-2/NEC WARNING LABEL	1.000 EA
LB1119N	WARNING LABEL	1.000 EA
LC0006	CONNECTION LABEL	1.000 EA
NP3190	SS IEEE841 INV DIV-2 UL CSA-C US EEV	1.000 EA
40PA1017	PACKAGING GROUP, 09 VERT LARGE FLANGE	1.000 EA

AC Induction Motor Performance Data

Record # 49591 - Typical performance - not guaranteed values

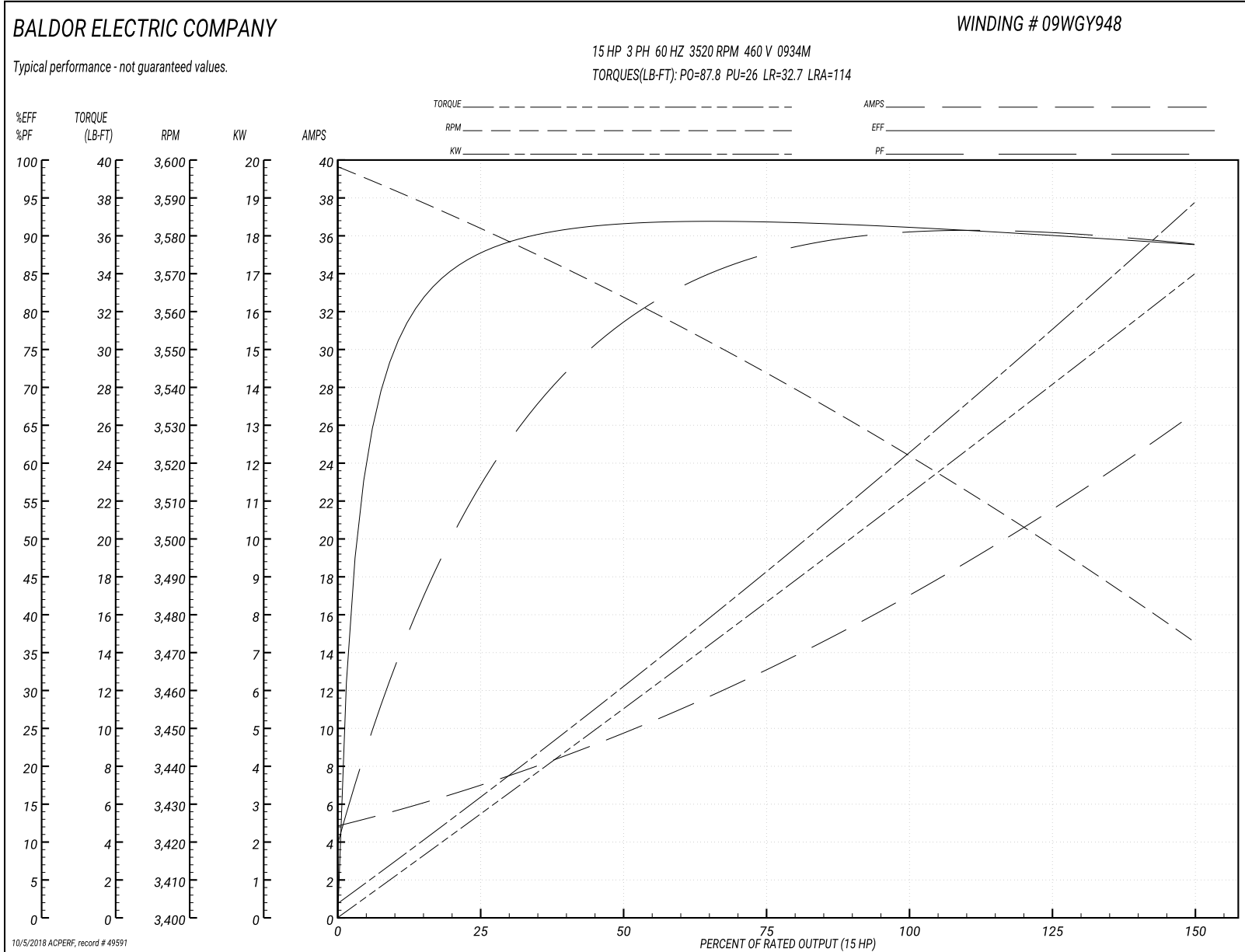
Winding: 09WGY948-R035	Type: 0934M	Enclosure: TEFC
-------------------------------	--------------------	------------------------

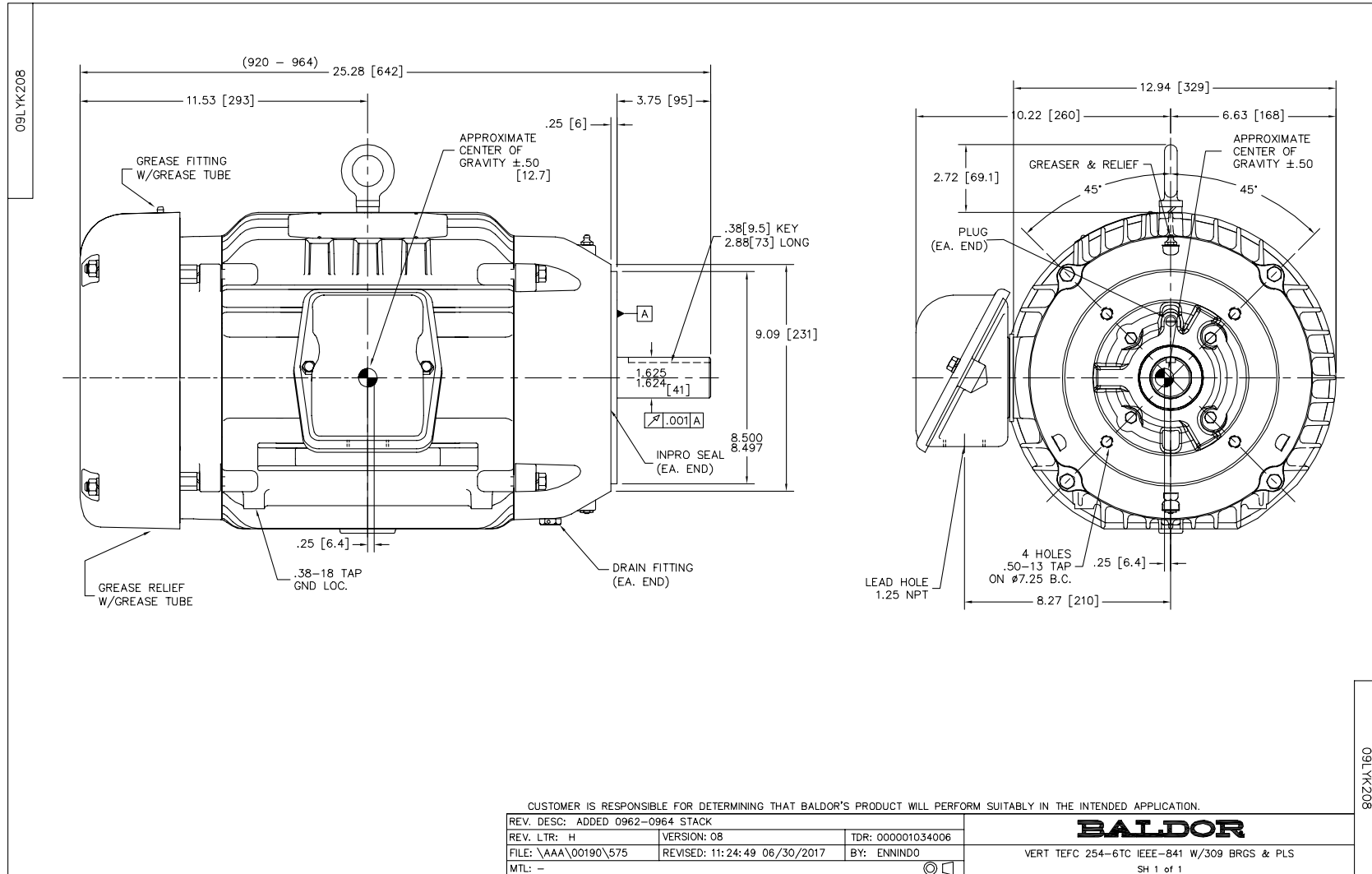
Nameplate Data				460 V, 60 Hz: Single Voltage Motor	
Rated Output (HP)	15			Full Load Torque	22.4 LB-FT
Volts	460			Start Configuration	direct on line
Full Load Amps	17			Breakdown Torque	87.8 LB-FT
R.P.M.	3520			Pull-up Torque	26 LB-FT
Hz	60	Phase	3	Locked-rotor Torque	32.7 LB-FT
NEMA Design Code	B	KVA Code	G	Starting Current	114 A
Service Factor (S.F.)	1.15			No-load Current	5.1 A
NEMA Nom. Eff.	91	Power Factor	89	Line-line Res. @ 25°C	0.622 Ω
Rating - Duty	40C AMB-CONT			Temp. Rise @ Rated Load	54°C
S.F. Amps				Temp. Rise @ S.F. Load	67°C
				Locked-rotor Power Factor	28.4
				Rotor inertia	0.868 LB-FT ²

Load Characteristics 460 V, 60 Hz, 15 HP

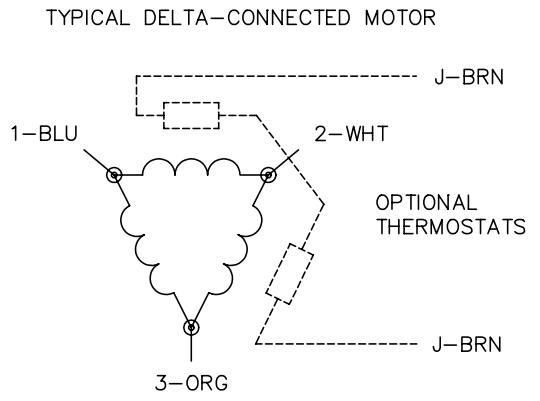
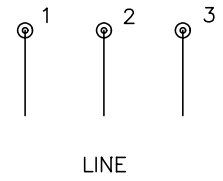
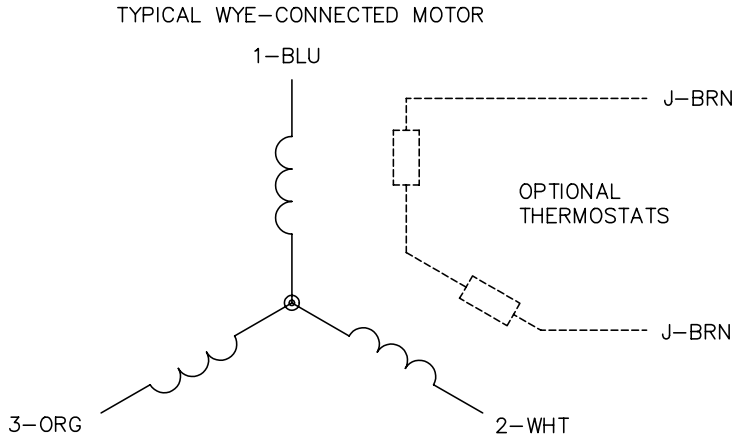
% of Rated Load	25	50	75	100	125	150	S.F.
Power Factor	61	80	88	89	90	90	90
Efficiency	87.4	91.1	91.7	91.3	90.1	88.7	90.5
Speed	3581	3563	3544	3522	3499	3472	3508
Line amperes	6.66	9.71	13.1	17.3	21.7	26.5	19.9

Performance Graph at 460V, 60Hz, 15.0HP Typical performance - Not guaranteed values





CD0006



- NOTES:
1. THREE LEAD MOTOR MAY BE EITHER WYE CONNECTED OR DELTA CONNECTED.
 2. INTERCHANGE ANY TWO LINE LEADS TO REVERSE ROTATION.
 3. OPTIONAL THERMOSTATS ARE PROVIDED WHEN SPECIFIED.
 4. ACTUAL NUMBER OF INTERNAL PARALLEL CIRCUITS MAY VARY.
 5. LEAD COLORS ARE OPTIONAL. LEADS MUST BE NUMBERED AS SHOWN.

REV. DESC: REVISE TO SHOW OPTIONAL COLORS			
REV. LTR: D	BY: JLP	REVISED: 01/21/99 4:02	TDR: 0171435
9000D		FILE: AAA00005141	MDL: -
		MTL: -	

BALDOR ELECTRIC Co.

3PH, SV, 3 LEADS, WYE OR DELTA CONNECTED

CD0006

Marketing maintained PDF of MN416:

<http://www.baldor.com/support/Literature/Load.ashx/MN416?ManNumber=MN416>