

BALDOR® • RELIANCE 

Product Information Packet

VEM3584T

1.5HP, 1765RPM, 3PH, 60HZ, 145TC, 0526M, TEFC

Part Detail							
Revision:	G	Status:	PRD/A	Change #:		Proprietary:	No
Type:	AC	Elec. Spec:	05WGX163	CD Diagram:	CD0005	Mfg Plant:	
Mech. Spec:	05C053	Layout:	05LYC053	Poles:	04	Created Date:	06-01-2011
Base:	N	Eff. Date:	07-19-2017	Leads:	9#18		

Specs			
Catalog Number:	VEM3584T	Heater Indicator:	No Heater
Enclosure:	TEFC	Insulation Class:	F
Frame:	145TC	Inverter Code:	Inverter Ready
Frame Material:	Iron	KVA Code:	M
Output @ Frequency:	1.500 HP @ 60 HZ	Lifting Lugs:	No Lifting Lugs
Synchronous Speed @ Frequency:	1800 RPM @ 60 HZ	Locked Bearing Indicator:	Locked Bearing
Voltage @ Frequency:	460.0 V @ 60 HZ	Motor Lead Quantity/Wire Size:	9 @ 18 AWG
	230.0 V @ 60 HZ	Motor Lead Exit:	Ko Box
XP Class and Group:	None	Motor Lead Termination:	Flying Leads
XP Division:	Not Applicable	Motor Type:	0526M
Agency Approvals:	UR	Mounting Arrangement:	F1
	CSA EEV	Power Factor:	71
	CSA	Product Family:	General Purpose
Auxillary Box:	No Auxillary Box	Pulley End Bearing Type:	Ball
Auxillary Box Lead Termination:	None	Pulley Face Code:	C-Face
Base Indicator:	No Mounting	Pulley Shaft Indicator:	Standard
Bearing Grease Type:	Polyrex EM (-20F +300F)	Rodent Screen:	None
Blower:	None	Shaft Extension Location:	Pulley End

Current @ Voltage:	2.300 A @ 460.0 V	Shaft Ground Indicator:	No Shaft Grounding
	4.600 A @ 208.0 V	Shaft Rotation:	Reversible
	4.600 A @ 230.0 V	Shaft Slinger Indicator:	No Slinger
Design Code:	B	Speed Code:	Single Speed
Drip Cover:	No Drip Cover	Motor Standards:	NEMA
Duty Rating:	CONT	Starting Method:	Direct on line
Electrically Isolated Bearing:	Not Electrically Isolated	Thermal Device - Bearing:	NONE (OLD)
Feedback Device:	NO FEEDBACK	Thermal Device - Winding:	None
Front Face Code:	Standard	Vibration Sensor Indicator:	No Vibration Sensor
Front Shaft Indicator:	None	Winding Thermal 1:	None
		Winding Thermal 2:	None

Nameplate NP3441LUA										
CAT.NO.	VEM3584T									
SPEC	05C053X163G1									
HP	1.5									
VOLTS	230/460									
AMPS	4.6/2.3									
RPM	1765									
FRAME	145TC				HZ	60			PH	3
SF	1.15		CODE	M	DES	B		CLASS	F	
NEMA NOM. EFF	86.5		PF	71						
RATING	40C AMB-CONT									
CC	010A			USABLE AT 208V						4.6
ENCL	TEFC		SER							
DE	6205			ODE	6203					
VPWM INVERTER READY										
CT6-60H(10:1)VT3-60H(20:1										
	50Hz 1.5HP 190/380V 5.2/2.6A									
	SF1.0									

Parts List		
Part Number	Description	Quantity
SA224427	SA 05C053X163G1	1.000 EA
RA211538	RA 05C053X163G1	1.000 EA
34FN3002B01	EXTERNAL FAN, PLASTIC, .637/.639 HUB W/	1.000 EA
06CB3000	BALDOR CONDUIT BOX CAST	1.000 EA
06GS1000	GASKET,CONDUIT BOX	1.000 EA
51XW2520A12	SCREW, HEX SER SLT HD, ZN, 1/4-20 X .75	2.000 EA
51XW2520A12	.25-20 X .75, TAPTITE II, HEX WSHR SLTD	2.000 EA
11XW1032G06	10-32 X .38, TAPTITE II, HEX WSHR SLTD U	1.000 EA
HW3001B01	BRASS CUP WASHER, FOR #10 SCREW	1.000 EA
35EP1100A02	FR ENDPLATE, TEFC W/GREASER	1.000 EA
HW4500A01	1641B(ALEMITE)400 UNIV, GREASE FITT	1.000 EA
HW5100A03	WAVY WASHER (W1543-017)	1.000 EA
35EP1329A01	PU EP ENCL 143-5TC 205 BRG W/GRSR & STD	1.000 EA
HW4500A01	1641B(ALEMITE)400 UNIV, GREASE FITT	1.000 EA
51XN1032A20	10-32 X 1 1/4 HX WS SL SR	2.000 EA
HA3100A28	THRUBOLT 10-32 X 8.187	4.000 EA
51XB1214A16	12-14X1.00 HXWSSLD SERTYB	1.000 EA
35FH4005A02	IEC FH W/GREASER - W/PRIMER	1.000 EA
51XW1032A06	10-32 X .38, TAPTITE II, HEX WSHR SLTD S	3.000 EA
06CB3500	BALDOR CONDUIT BOX LID	1.000 EA
06GS1001	BALDOR CONDUIT BOX GASKET	1.000 EA
HW2501D13	KEY, 3/16 SQ X 1.375	1.000 EA
HA7000A01	KEY RETAINER 7/8" DIA SHAFT	1.000 EA
85XU0407S04	4X1/4 U DRIVE PIN STAINLESS	2.000 EA

Parts List (continued)		
Part Number	Description	Quantity
MJ1000A02	GREASE, POLYREX EM EXXON (USe 4824-15A)	0.050 LB
MG1000Y03	MUNSELL 2.53Y 6.70/ 4.60, GLOSS 20,	0.022 GA
LC0005E01	CONN.DIA./WARNING LABEL (LC0005/LB1119N)	1.000 EA
NP3441LUA	ALUM SUPER-E VPWM INV READY UL CSA-EEV C	1.000 EA
36PA1000	PKG GRP, PRINT PK1016A06	1.000 EA
PK3082	STYROFOAM CRADLE	1.000 EA
MN416A01	TAG-INSTAL-MAINT no wire (1200/bx) 5/18	1.000 EA

AC Induction Motor Performance Data

Record # 53061 - Typical performance - not guaranteed values

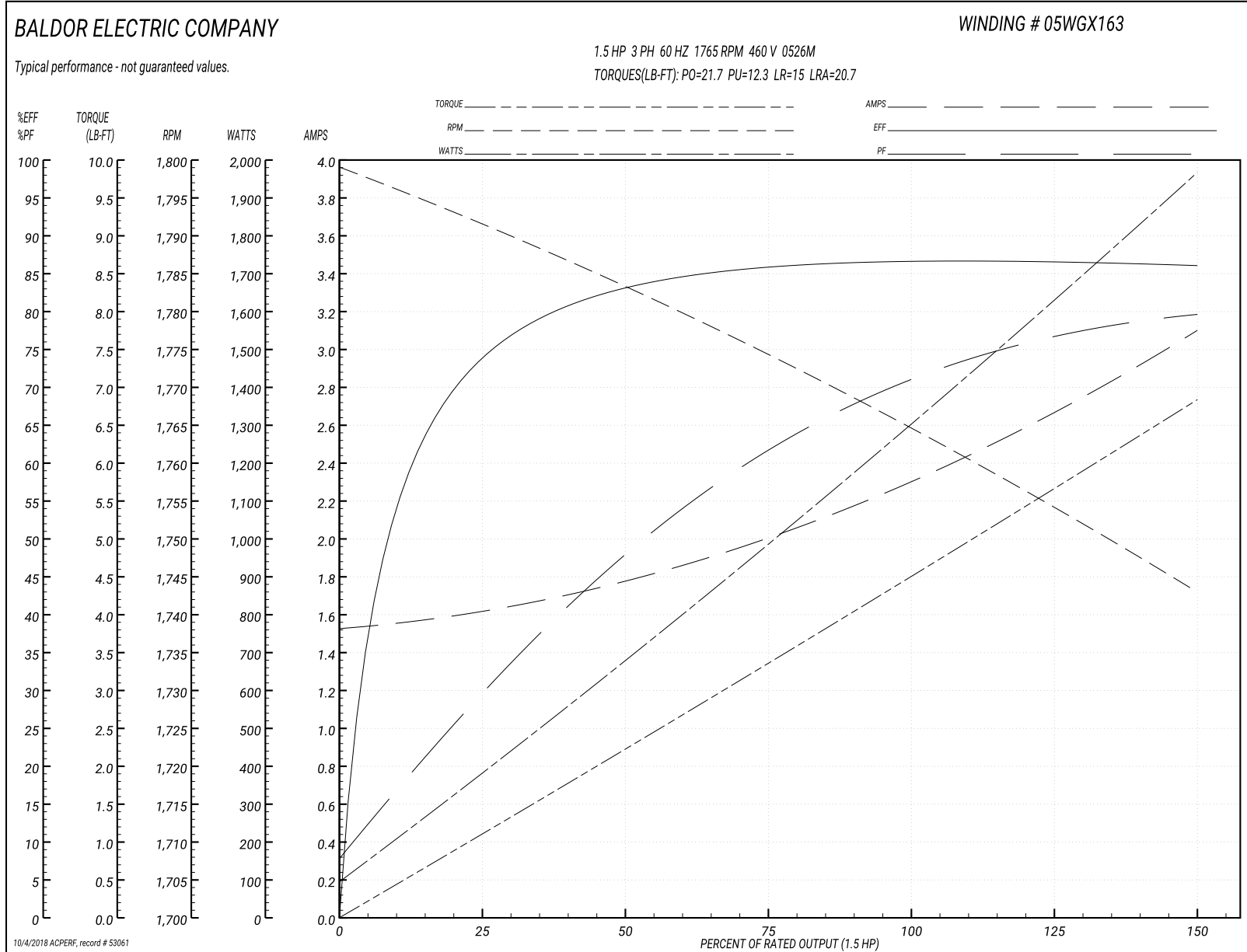
Winding: 05WGX163-R014	Type: 0526M	Enclosure: TEFC
-------------------------------	--------------------	------------------------

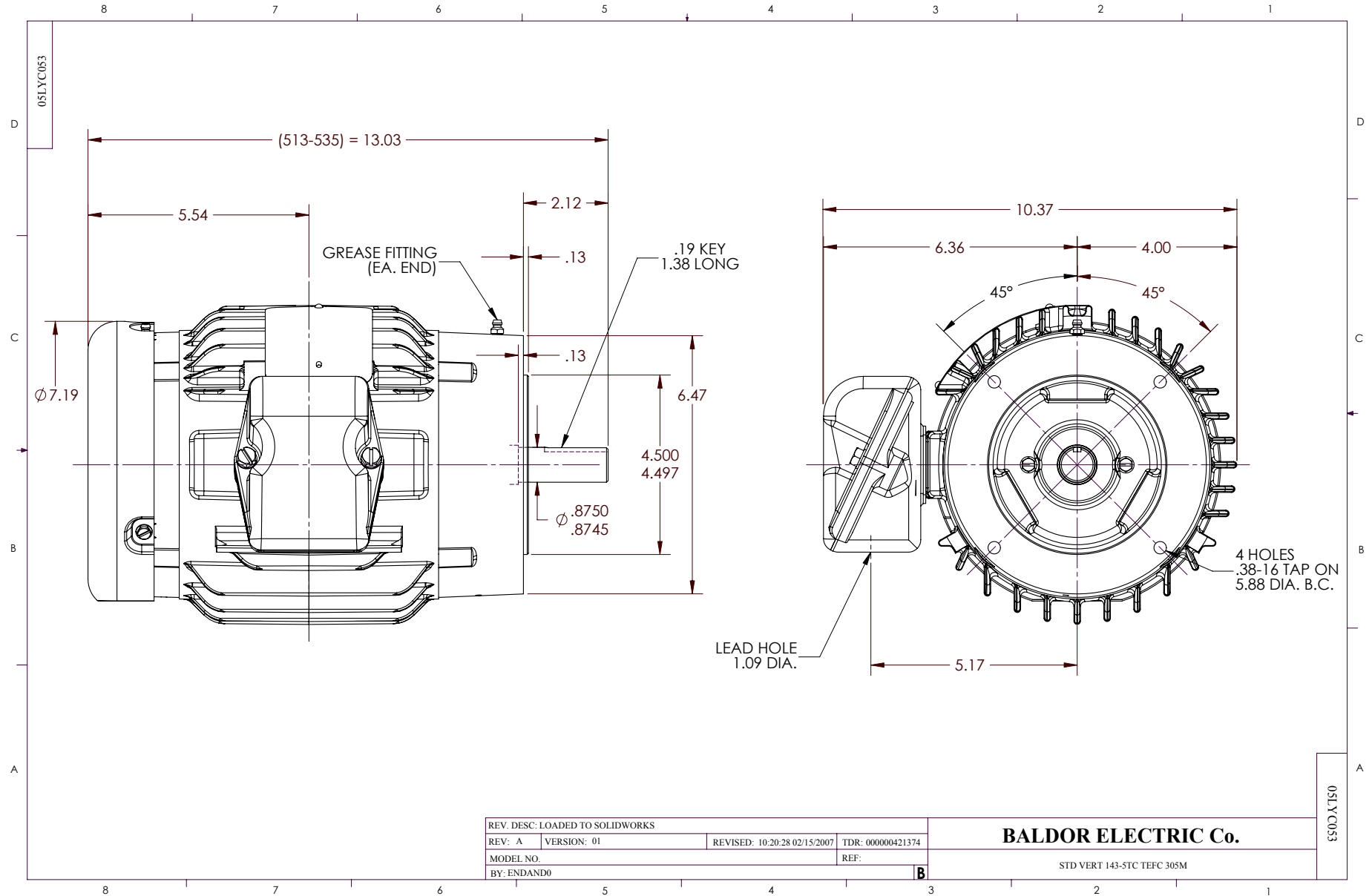
Nameplate Data				460 V, 60 Hz: High Voltage Connection	
Rated Output (HP)	1.5			Full Load Torque	4.54 LB-FT
Volts	230/460			Start Configuration	direct on line
Full Load Amps	4.6/2.3			Breakdown Torque	21.7 LB-FT
R.P.M.	1765			Pull-up Torque	12.3 LB-FT
Hz	60	Phase	3	Locked-rotor Torque	15 LB-FT
NEMA Design Code	B	KVA Code	M	Starting Current	20.7 A
Service Factor (S.F.)	1.15			No-load Current	1.54 A
NEMA Nom. Eff.	86.5	Power Factor	71	Line-line Res. @ 25°C	9.0571 Ω
Rating - Duty	40C AMB-CONT			Temp. Rise @ Rated Load	34°C
S.F. Amps				Temp. Rise @ S.F. Load	40°C

Load Characteristics 460 V, 60 Hz, 1.5 HP

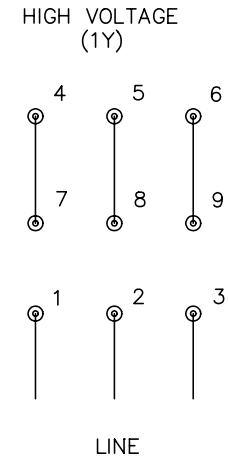
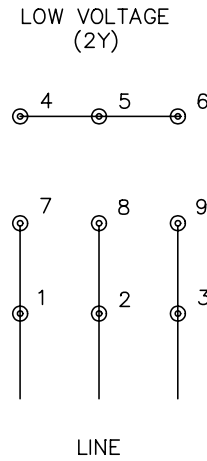
% of Rated Load	25	50	75	100	125	150	S.F.
Power Factor	31	49	62	71	77	80	75
Efficiency	75.4	83.8	86.4	87	86.9	86.1	86.9
Speed	1791.5	1782.7	1774	1764.1	1753.9	1743	1758
Line amperes	1.61	1.77	2.03	2.32	2.69	3.09	2.54

Performance Graph at 460V, 60Hz, 1.5HP Typical performance - Not guaranteed values





CD0005



NOTES:

1. INTERCHANGE ANY TWO LINE LEADS TO REVERSE ROTATION.
2. OPTIONAL THERMOSTATS ARE PROVIDED WHEN SPECIFIED.
3. ACTUAL NUMBER OF INTERNAL PARALLEL CIRCUITS MAY BE A MULTIPLE OF THOSE SHOWN ABOVE.
4. LEAD COLORS ARE OPTIONAL. LEADS MUST ALWAYS BE NUMBERED AS SHOWN.

REV. DESC: REVISE TO SHOW OPTIONAL COLORS			
REV. LTR: E	BY: JLP	REVISED: 01/19/99 10:15	TDR: 0171435
900000		FILE: AAA00005140	MDL: -
		MTL: -	

BALDOR ELECTRIC Co.

3PH, DV, 9 LEADS

CD0005