

**BALDOR® • RELIANCE** 

**Product Information Packet**

**VEM3664T**

**2HP, 1165RPM, 3PH, 60HZ, 184TC, 0642M, TEFC, F1**

Part Detail							
Revision:	B	Status:	PRD/A	Change #:		Proprietary:	No
Type:	AC	Elec. Spec:	06WGW970	CD Diagram:	CD0005	Mfg Plant:	
Mech. Spec:	06C103	Layout:	06LYC103	Poles:	06	Created Date:	04-22-2015
Base:	N	Eff. Date:	07-19-2017	Leads:	9#16		

Specs			
Catalog Number:	VEM3664T	Heater Indicator:	No Heater
Enclosure:	TEFC	Insulation Class:	F
Frame:	184TC	Inverter Code:	Inverter Ready
Frame Material:	Iron	KVA Code:	K
Output @ Frequency:	2.000 HP @ 60 HZ	Lifting Lugs:	Standard Lifting Lugs
Synchronous Speed @ Frequency:	1200 RPM @ 60 HZ	Locked Bearing Indicator:	Locked Bearing
Voltage @ Frequency:	460.0 V @ 60 HZ	Motor Lead Quantity/Wire Size:	9 @ 16 AWG
	230.0 V @ 60 HZ	Motor Lead Exit:	Ko Box
XP Class and Group:	None	Motor Lead Termination:	Flying Leads
XP Division:	Not Applicable	Motor Type:	0642M
Agency Approvals:	UR	Mounting Arrangement:	F1
	CSA EEV	Power Factor:	68
	CSA	Product Family:	General Purpose
Auxillary Box:	No Auxillary Box	Pulley End Bearing Type:	Ball
Auxillary Box Lead Termination:	None	Pulley Face Code:	C-Face
Base Indicator:	No Mounting	Pulley Shaft Indicator:	Standard
Bearing Grease Type:	Polyrex EM (-20F +300F)	Rodent Screen:	None
Blower:	None	Shaft Extension Location:	Pulley End

<b>Current @ Voltage:</b>	3.150 A @ 460.0 V	<b>Shaft Ground Indicator:</b>	No Shaft Grounding
	6.300 A @ 230.0 V	<b>Shaft Rotation:</b>	Reversible
	6.600 A @ 208.0 V	<b>Shaft Slinger Indicator:</b>	No Slinger
<b>Design Code:</b>	B	<b>Speed Code:</b>	Single Speed
<b>Drip Cover:</b>	No Drip Cover	<b>Motor Standards:</b>	NEMA
<b>Duty Rating:</b>	CONT	<b>Starting Method:</b>	Direct on line
<b>Electrically Isolated Bearing:</b>	Not Electrically Isolated	<b>Thermal Device - Bearing:</b>	NONE (OLD)
<b>Feedback Device:</b>	NO FEEDBACK	<b>Thermal Device - Winding:</b>	None
<b>Front Face Code:</b>	Standard	<b>Vibration Sensor Indicator:</b>	No Vibration Sensor
<b>Front Shaft Indicator:</b>	None	<b>Winding Thermal 1:</b>	None
		<b>Winding Thermal 2:</b>	None

Nameplate NP3441LUA	
CAT.NO.	VEM3664T
SPEC	06C103W970G1
HP	2
VOLTS	230/460
AMPS	6.3/3.15
RPM	1165
FRAME	184TC
	HZ 60
	PH 3
SF	1.15
	CODE K
	DES B
	CLASS F
NEMA NOM. EFF	88.5
	PF 68
RATING	40C AMB-CONT
CC	010A
	USABLE AT 208V 6.6
ENCL	TEFC
	SER
DE	6206
	ODE 6205
VPWM INVERTER READY	
CT6-60H(10:1)VT3-60H(20:1)	
	50Hz 2HP 190/380V 7.4/3.7A
	SF1.0

Parts List		
Part Number	Description	Quantity
SA299815	SA 06C103W970G1	1.000 EA
RA286847	RA 06C103W970G1	1.000 EA
36FN3000B01	EXFN, PLASTIC, 6.00 OD, .912 ID	1.000 EA
HW3201A05	3/8-16 EYEBOLT	1.000 EA
06CB3000	BALDOR CONDUIT BOX CAST	1.000 EA
06GS1000	GASKET,CONDUIT BOX	1.000 EA
51XW2520A12	SCREW, HEX SER SLT HD, ZN, 1/4-20 X .75	2.000 EA
11XW1032G06	10-32 X .38, TAPTITE II, HEX WSHR SLTD U	1.000 EA
HW3001B01	BRASS CUP WASHER, FOR #10 SCREW	1.000 EA
36EP1101A01	FR ENDPLATE, MACH	1.000 EA
HW4500A01	1641B(ALEMITE)400 UNIV, GREASE FITT	1.000 EA
HW5100A05	WVY WSHR F/205 & 304 BRGS	1.000 EA
36PE1300A01	PU ENDPLATE, MACH	1.000 EA
HW4500A01	1641B(ALEMITE)400 UNIV, GREASE FITT	1.000 EA
10XN2520A26	1/4-20X 1 5/8 HEX HD	4.000 EA
HA3101A34	THRUBOLT- 1/4-20 X 10.375	4.000 EA
36FH4009A03SP	IEC FH , W/ PRIMER	1.000 EA
51XW1032A06	10-32 X .38, TAPTITE II, HEX WSHR SLTD S	3.000 EA
06CB3500	BALDOR CONDUIT BOX LID	1.000 EA
06GS1001	BALDOR CONDUIT BOX GASKET	1.000 EA
51XW2520A12	.25-20 X .75, TAPTITE II, HEX WSHR SLTD	2.000 EA
HW2501E16	KEY, 1/4 SQ X 1.750	1.000 EA
HA7000A02	KEY RETAINER RING, 1 1/8 DIA, 1 3/8 DIA	1.000 EA
LB1115N	LABEL,LIFTING DEVICE (ON ROLLS)	1.000 EA

<b>Parts List (continued)</b>		
<b>Part Number</b>	<b>Description</b>	<b>Quantity</b>
85XU0407S04	4X1/4 U DRIVE PIN STAINLESS	2.000 EA
MJ1000A02	GREASE, POLYREX EM EXXON (USe 4824-15A)	0.050 LB
51XB1214A16	12-14X1.00 HXWSSLD SERTYB	1.000 EA
MG1000Y03	MUNSELL 2.53Y 6.70/ 4.60, GLOSS 20,	0.028 GA
LC0005E01	CONN.DIA./WARNING LABEL (LC0005/LB1119N)	1.000 EA
NP3441LUA	ALUM SUPER-E VPWM INV READY UL CSA-EEV C	1.000 EA
36PA1001	PKG GRP, PRINT PK1017A06	1.000 EA
MN416A01	TAG-INSTAL-MAINT no wire (1200/bx) 5/18	1.000 EA

**AC Induction Motor Performance Data**

Record # 53064 - Typical performance - not guaranteed values

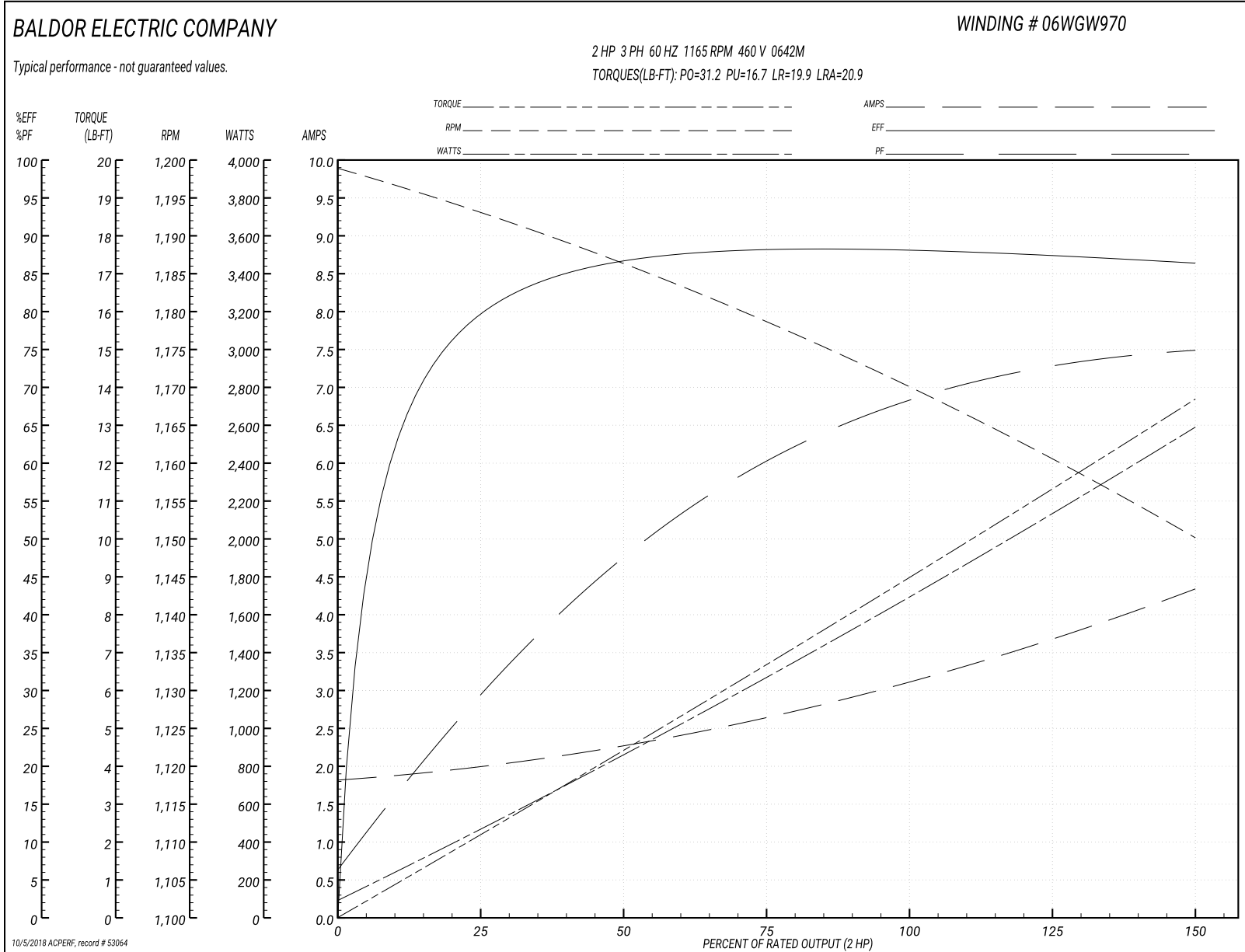
<b>Winding:</b> 06WGW970-R023	<b>Type:</b> 0642M	<b>Enclosure:</b> TEFC
-------------------------------	--------------------	------------------------

Nameplate Data				460 V, 60 Hz: High Voltage Connection	
Rated Output (HP)	2			Full Load Torque	9.05 LB-FT
Volts	230/460			Start Configuration	direct on line
Full Load Amps	6.3/3.15			Breakdown Torque	31.2 LB-FT
R.P.M.	1165			Pull-up Torque	16.7 LB-FT
Hz	60	Phase	3	Locked-rotor Torque	19.9 LB-FT
NEMA Design Code	B	KVA Code	K	Starting Current	20.9 A
Service Factor (S.F.)	1.15			No-load Current	1.84 A
NEMA Nom. Eff.	88.5	Power Factor	68	Line-line Res. @ 25°C	5.42 Ω
Rating - Duty	40C AMB-CONT			Temp. Rise @ Rated Load	27°C
S.F. Amps				Temp. Rise @ S.F. Load	33°C
				Rotor inertia	0.394 LB-FT <sup>2</sup>

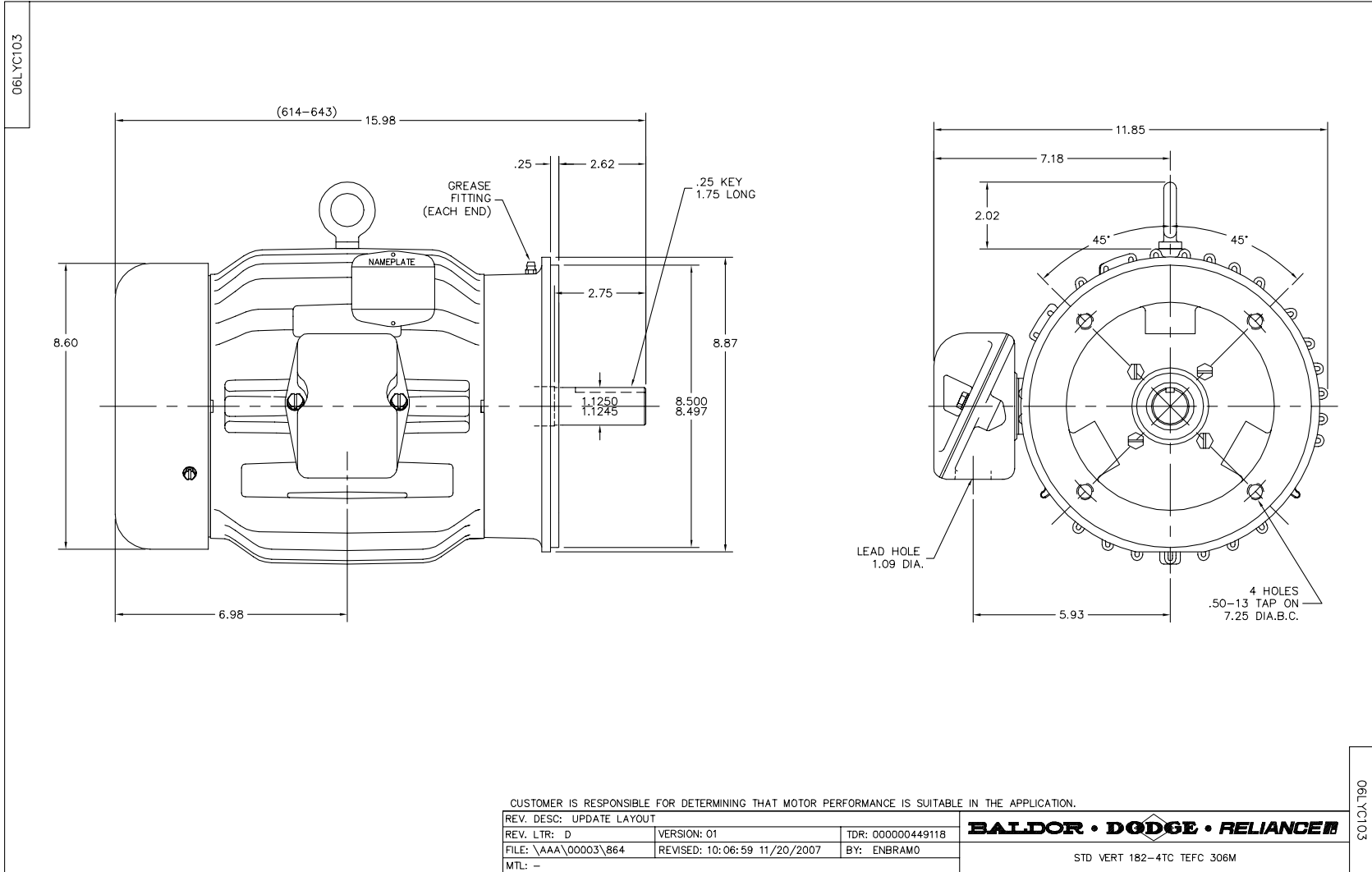
Load Characteristics 460 V, 60 Hz, 2 HP

% of Rated Load	25	50	75	100	125	150	S.F.
Power Factor	31	48	60	68	73	75	71
Efficiency	80.5	86.9	88.5	88.6	87.9	86.6	88.2
Speed	1193.1	1186	1178.3	1170	1160.8	1150	1164
Line amperes	1.97	2.26	2.67	3.14	3.68	4.33	3.46

Performance Graph at 460V, 60Hz, 2.0HP Typical performance - Not guaranteed values







CD0005



LOW VOLTAGE  
(2Y)



LINE

HIGH VOLTAGE  
(1Y)



LINE

NOTES:

1. INTERCHANGE ANY TWO LINE LEADS TO REVERSE ROTATION.
2. OPTIONAL THERMOSTATS ARE PROVIDED WHEN SPECIFIED.
3. ACTUAL NUMBER OF INTERNAL PARALLEL CIRCUITS MAY BE A MULTIPLE OF THOSE SHOWN ABOVE.
4. LEAD COLORS ARE OPTIONAL. LEADS MUST ALWAYS BE NUMBERED AS SHOWN.

REV. DESC: REVISE TO SHOW OPTIONAL COLORS

REV. LTR: E BY: JLP

REVISED: 01/19/99 10:15

TDR: 0171435

90000

FILE: AAA00005140

MDL: -

MTL: -

**BALDOR ELECTRIC Co.**

3PH, DV, 9 LEADS

CD0005