

**BALDOR® • RELIANCE** 

**Product Information Packet**

**VEM7073T**

**7.5//5HP,3450//2890RPM,3PH,60//50HZ,184T**

Part Detail							
Revision:	A	Status:	PRD/A	Change #:		Proprietary:	No
Type:	AC	Elec. Spec:	36WGS428	CD Diagram:	CD0005	Mfg Plant:	
Mech. Spec:	36N022	Layout:	36LYN022	Poles:	02	Created Date:	09-30-2015
Base:	N	Eff. Date:	09-01-2016	Leads:	9#16		

Specs			
Catalog Number:	VEM7073T	Front Shaft Indicator:	None
Enclosure:	XPFC	Heater Indicator:	No Heater
Frame:	184TC	Insulation Class:	B
Frame Material:	Steel	Inverter Code:	Not Inverter
Output @ Frequency:	5.000 HP @ 50 HZ	KVA Code:	L
	7.500 HP @ 60 HZ	Lifting Lugs:	No Lifting Lugs
Synchronous Speed @ Frequency:	3600 RPM @ 60 HZ	Locked Bearing Indicator:	Locked Bearing
Voltage @ Frequency:	230.0 V @ 60 HZ	Motor Lead Quantity/Wire Size:	9 @ 16 AWG
	190.0 V @ 50 HZ	Motor Lead Exit:	Ko Box
	460.0 V @ 60 HZ	Motor Lead Termination:	Flying Leads
	380.0 V @ 50 HZ	Motor Type:	3646M
XP Class and Group:	CLI GP D	Mounting Arrangement:	F1
XP Division:	Division I	Power Factor:	93
Agency Approvals:	CSA	Product Family:	General Purpose
	CSA EEV	Pulley End Bearing Type:	Ball
	UR	Pulley Face Code:	C-Face
Auxillary Box:	No Auxillary Box	Pulley Shaft Indicator:	Standard
Auxillary Box Lead Termination:	None	Rodent Screen:	None

<b>Base Indicator:</b>	No Mounting	<b>RoHS Status:</b>	ROHS COMPLIANT
<b>Bearing Grease Type:</b>	Polyrex EM (-20F +300F)	<b>Shaft Extension Location:</b>	Pulley End
<b>Blower:</b>	None	<b>Shaft Ground Indicator:</b>	No Shaft Grounding
<b>Current @ Voltage:</b>	8.400 A @ 460.0 V	<b>Shaft Rotation:</b>	Reversible
	6.900 A @ 380.0 V	<b>Shaft Slinger Indicator:</b>	No Slinger
	18.500 A @ 208.0 V	<b>Speed Code:</b>	Single Speed
	16.800 A @ 230.0 V	<b>Motor Standards:</b>	NEMA
	13.800 A @ 190.0 V	<b>Starting Method:</b>	Direct on line
<b>Design Code:</b>	A	<b>Thermal Device - Bearing:</b>	NONE (OLD)
<b>Drip Cover:</b>	No Drip Cover	<b>Thermal Device - Winding:</b>	Normally Closed Thermostat
<b>Duty Rating:</b>	CONT	<b>Vibration Sensor Indicator:</b>	No Vibration Sensor
<b>Electrically Isolated Bearing:</b>	Not Electrically Isolated	<b>Winding Thermal 1:</b>	None
<b>Feedback Device:</b>	NO FEEDBACK	<b>Winding Thermal 2:</b>	None
<b>Front Face Code:</b>	Standard	<b>XP Temp Code:</b>	T2C

Nameplate NP0015XPSLEV	
NO.	[ ] CC 010A
SER.	[ ]
SPEC.	36N022S428G1
CAT.NO.	VEM7073T
HP	7.5//5 T. CODE T2C
VOLTS	230/460//190/380
AMPS	16.8/8.4//13.8/6.9
RPM	3450//2890
HZ	60//50 PH 3 CL B
SER.F.	1.00 DES A CODE L
RATING	40C AMB-CONT
FRAME	184TC NEMA-NOM-EFF 89.5
USABLE AT 208V	18.5 PF 93
BLANK	[ ]

Parts List		
Part Number	Description	Quantity
SA308544	SA 36N022S428G1	1.000 EA
RA295876	RA 36N022S428G1	1.000 EA
35CB3001A02SP	EXPL PROOF CONDUIT BOX, 3/4"PIPE TAP LEA	1.000 EA
11XW1032G06	10-32 X .38, TAPTITE II, HEX WSHR SLTD U	1.000 EA
HW3001B01	BRASS CUP WASHER, FOR #10 SCREW	1.000 EA
36EP3700A01	FR ENDPLATE, MACH	1.000 EA
HW4500A19	1/4-28X1/4 SLOTTED PLUG F/S	2.000 EA
HW5100A05	WVY WSHR F/205 & 304 BRGS	1.000 EA
36EP1703A01	PU ENDPLATE, MACH	1.000 EA
51XN1032A20	10-32 X 1 1/4 HX WS SL SR	2.000 EA
HW4001A01	1/4 HX SOC PIPE PLG (F/S) ALLOY STEEL W/	2.000 EA
60XN1032A07	10-32 X .4375 TRUSS HEAD, TORX SERRATED	2.000 EA
36FH4009A02	FAN COVER FOR VM7042T,PRIMER	1.000 EA
51XW1032A06	10-32 X .38, TAPTITE II, HEX WSHR SLTD S	3.000 EA
35CB3500A01SP	CONDUIT BOX LID, MACH	1.000 EA
51XN2520A16	SCREW, HEX WS SLT, ZN, 1/4-20 X 1.00	4.000 EA
HW2501E16	KEY, 1/4 SQ X 1.750	1.000 EA
HA7000A02	KEY RETAINER RING, 1 1/8 DIA, 1 3/8 DIA	1.000 EA
85XU0407S04	4X1/4 U DRIVE PIN STAINLESS	6.000 EA
NP0018F	ALUM UL XP CONDUIT BOX NAMEPLATE	1.000 EA
MJ1000A02	GREASE, POLYREX EM EXXON (USe 4824-15A)	0.050 LB
35FN3002A04SP	EXFN, PLASTIC, 6.376 OD, .906 ID W/KEY	1.000 EA
51XB1214A16	12-14X1.00 HXWSSLD SERTYB	1.000 EA
MG1025G29	WILKOFAS, 789.229, DARK CHARCOAL GRAY	0.022 GA

<b>Parts List (continued)</b>		
<b>Part Number</b>	<b>Description</b>	<b>Quantity</b>
HA3105A09	THRUBOLT 3/8-16 X 12.000	4.000 EA
LB1119N	WARNING LABEL	1.000 EA
LC0145B01	CONNECTION LABEL	1.000 EA
NP0015XPSLEV	SS XP UL CSA-EEV CC CL-I GP-D	1.000 EA
G0PA1000	PKG GRP, PRINT PK1026A06	1.000 EA
PK3082	STYROFOAM CRADLE	1.000 EA
MN416A01	TAG-INSTAL-MAINT no wire (1200/bx) 5/18	1.000 EA

**AC Induction Motor Performance Data**

Record # 68106 - Typical performance - not guaranteed values

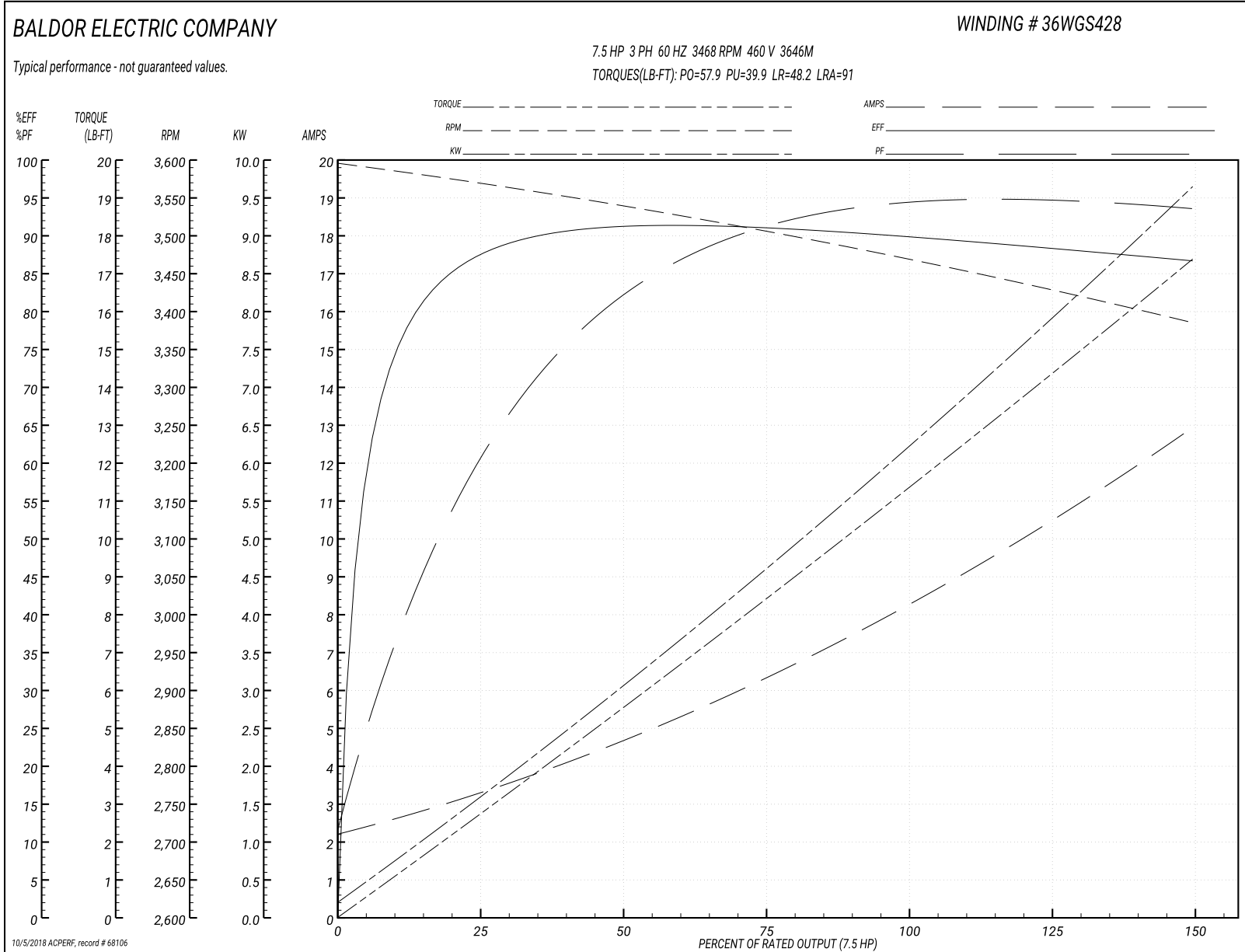
<b>Winding:</b> 36WGS428-R021	<b>Type:</b> 3646M	<b>Enclosure:</b> XPFC
-------------------------------	--------------------	------------------------

Nameplate Data				460 V, 60 Hz: High Voltage Connection	
Rated Output (HP)	7.5//5			Full Load Torque	11.4 LB-FT
Volts	230/460//190/380			Start Configuration	direct on line
Full Load Amps	16.8/8.4//13.8/6.9			Breakdown Torque	57.9 LB-FT
R.P.M.	3450//2890			Pull-up Torque	39.9 LB-FT
Hz	60//50	Phase	3	Locked-rotor Torque	48.2 LB-FT
NEMA Design Code	A	KVA Code	L	Starting Current	91 A
Service Factor (S.F.)	1			No-load Current	2.33 A
NEMA Nom. Eff.	89.5	Power Factor	93	Line-line Res. @ 25°C	1.45 Ω
Rating - Duty	40C AMB-CONT			Temp. Rise @ Rated Load	74°C
				Locked-rotor Power Factor	44.6
				Rotor inertia	0.205 LB-FT <sup>2</sup>

Load Characteristics 460 V, 60 Hz, 7.5 HP

% of Rated Load	25	50	75	100	125	150
Power Factor	64	85	90	93	94	94
Efficiency	86.8	90.5	90.9	90	88.7	86.4
Speed	3571	3539	3505	3468	3429	3385
Line amperes	3.14	4.59	6.43	8.43	10.5	12.9

Performance Graph at 460V, 60Hz, 7.5HP Typical performance - Not guaranteed values





**AC Induction Motor Performance Data**

Record # 68107 - Typical performance - not guaranteed values

<b>Winding:</b> 36WGS428-R021	<b>Type:</b> 3646M	<b>Enclosure:</b> XPFC
-------------------------------	--------------------	------------------------

Nameplate Data				380 V, 50 Hz: High Voltage Connection	
Rated Output (HP)	7.5//5			Full Load Torque	9.11 LB-FT
Volts	230/460//190/380			Start Configuration	direct on line
Full Load Amps	16.8/8.4//13.8/6.9			Breakdown Torque	54.55 LB-FT
R.P.M.	3450//2890			Pull-up Torque	42.54 LB-FT
Hz	60//50	Phase	3	Locked-rotor Torque	51.39 LB-FT
NEMA Design Code	A	KVA Code	L	Starting Current	86.55 A
Service Factor (S.F.)	1			No-load Current	2.29 A
NEMA Nom. Eff.	89.5	Power Factor	93	Line-line Res. @ 25°C	1.45 Ω
Rating - Duty	40C AMB-CONT			Temp. Rise @ Rated Load	55°C
				Locked-rotor Power Factor	50.9
				Rotor inertia	0.205 LB-FT <sup>2</sup>

Load Characteristics 380 V, 50 Hz, 5 HP

% of Rated Load	25	50	75	100	125	150
Power Factor	58	81	88	92	94	94
Efficiency	85.5	89.9	90.5	89.7	88.5	86.4
Speed	2976	2950	2922	2892	2861	2826
Line amperes	2.85	3.94	5.35	6.92	8.55	10.43

Performance Graph at 380V, 50Hz, 5.0HP Typical performance - Not guaranteed values

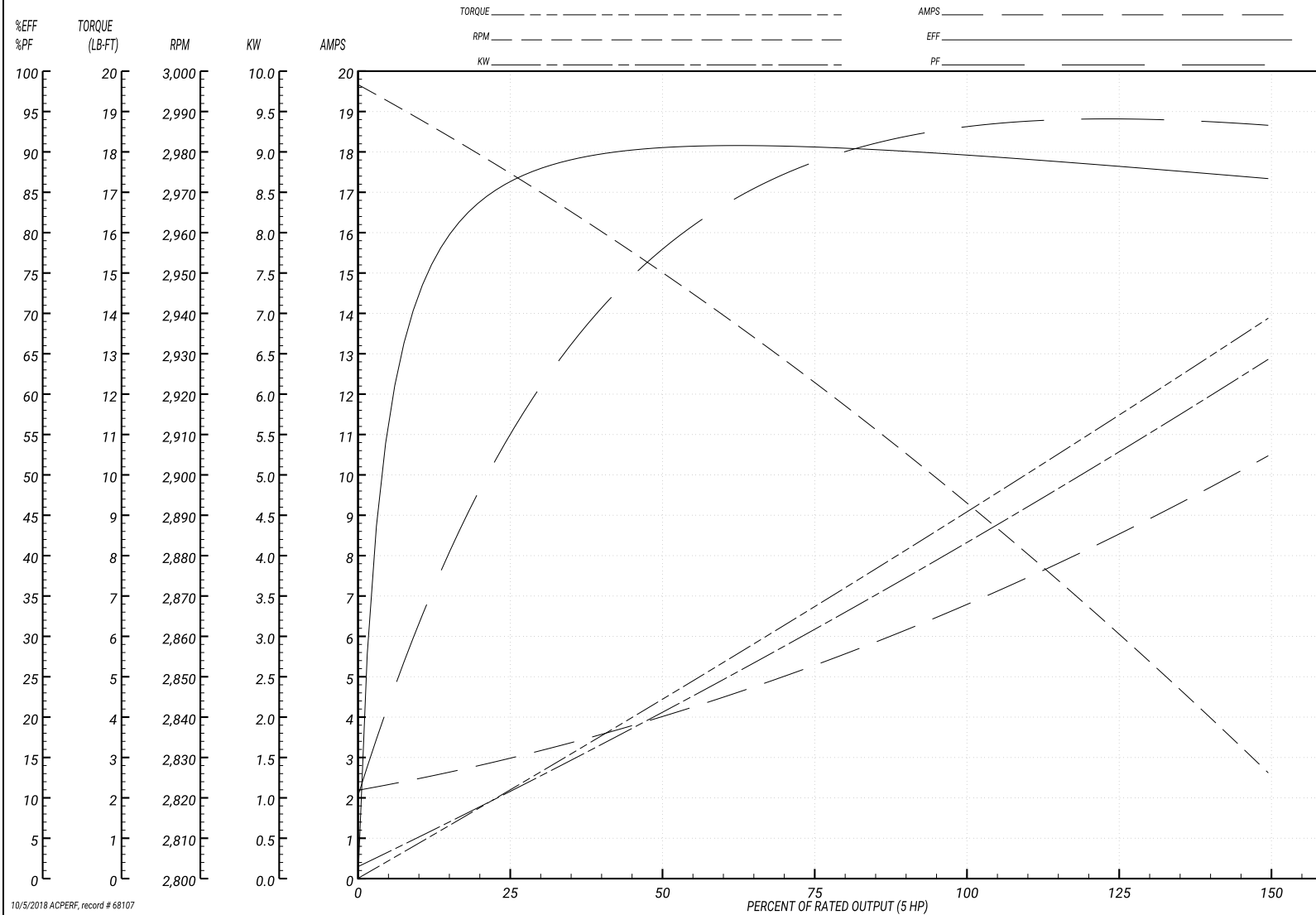
**BALDOR ELECTRIC COMPANY**

WINDING # 36WGS428

Typical performance - not guaranteed values.

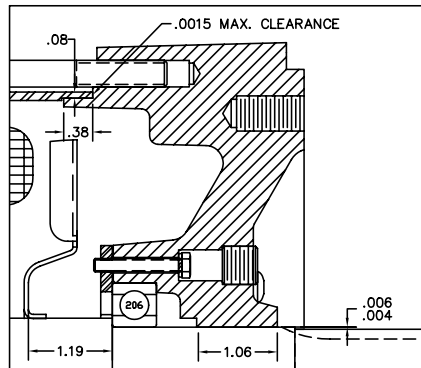
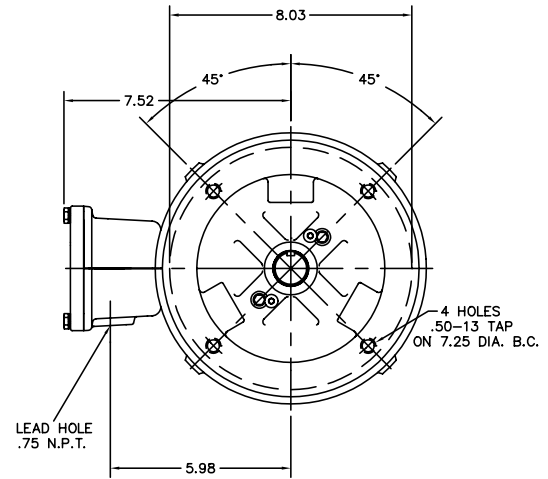
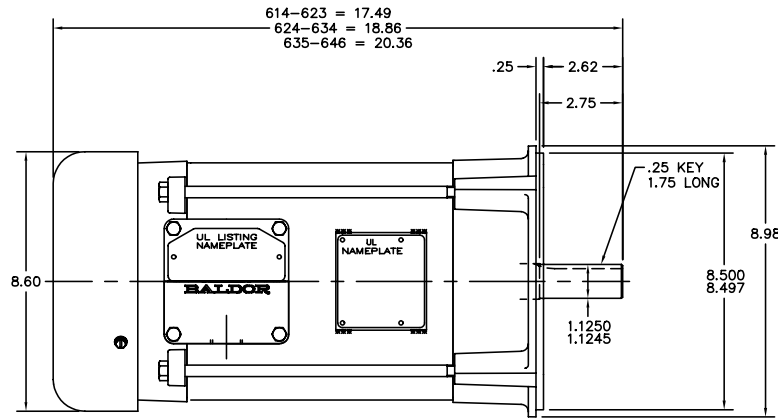
5 HP 3 PH 50 HZ 2892 RPM 380 V 3646M

TORQUES(LB-FT): PO=54.55 PU=42.54 LR=51.39 LRA=86.55



10/5/2018 ACPERF, record # 68107

36L YN022



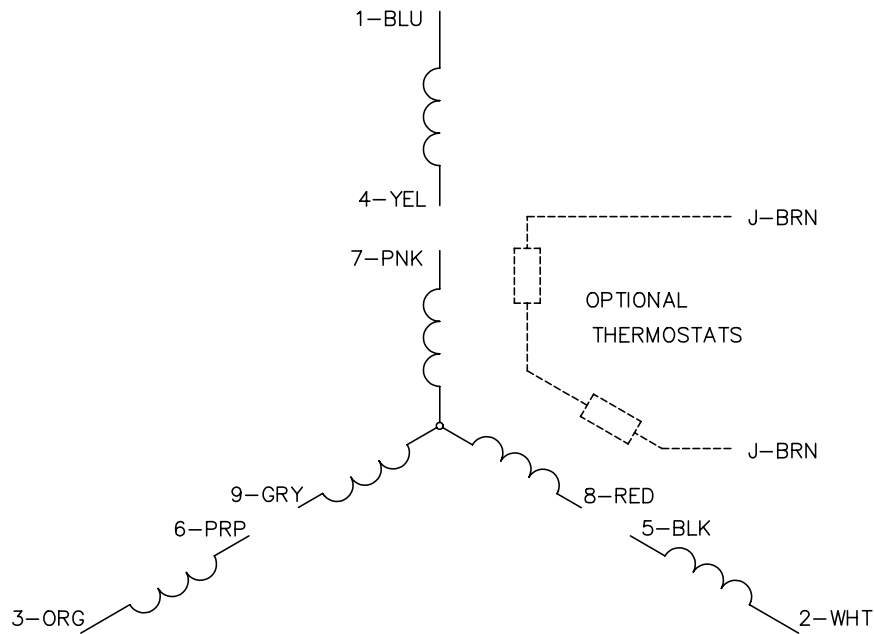
PULLEY END DETAIL

UL CLASS I - GROUP D

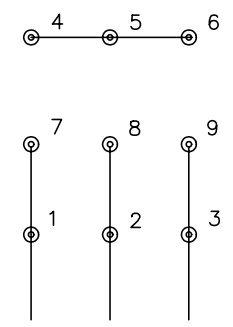
CUST. NAME	CUST. P.O.	CERTIFIED BY	MODEL	INSUL	AMB	
H.P.	MTG	TYPE	R.P.M.	VOLTS	ENCL PHASE FREQ FRAME	
REV. DESC: CHG'D FH TO 36FH4009A02			<b>BALDOR ELECTRIC Co.</b>			
REV. LTR: H	BY: JED	REVISED: 06/03/99 2:07				TDR: 0183318
FILE: AAA00004735	MDL: -					
MTL: -			STD VERT 182-4TC XPFC 36M CL I-GP D			

36L YN022

CD0005

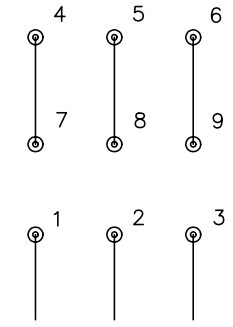


LOW VOLTAGE  
(2Y)



LINE

HIGH VOLTAGE  
(1Y)



LINE

NOTES:

1. INTERCHANGE ANY TWO LINE LEADS TO REVERSE ROTATION.
2. OPTIONAL THERMOSTATS ARE PROVIDED WHEN SPECIFIED.
3. ACTUAL NUMBER OF INTERNAL PARALLEL CIRCUITS MAY BE A MULTIPLE OF THOSE SHOWN ABOVE.
4. LEAD COLORS ARE OPTIONAL. LEADS MUST ALWAYS BE NUMBERED AS SHOWN.

REV. DESC: REVISE TO SHOW OPTIONAL COLORS			
REV. LTR: E	BY: JLP	REVISED: 01/19/99 10:15	TDR: 0171435
900000		FILE: AAA00005140	MDL: -
		MTL: -	

**BALDOR ELECTRIC Co.**

3PH, DV, 9 LEADS

CD0005