

BALDOR® • RELIANCE 

Product Information Packet

VEWDM3554

1.5HP,1755RPM,3PH,60HZ,56C,3534M,TENV,F1

| Part Detail | | | | | | | |
|-------------|--------|-------------|------------|-------------|--------|---------------|------------|
| Revision: | T | Status: | PRD/A | Change #: | | Proprietary: | No |
| Type: | AC | Elec. Spec: | 35WGM613 | CD Diagram: | CD0005 | Mfg Plant: | |
| Mech. Spec: | 35S603 | Layout: | 35LYS603 | Poles: | 04 | Created Date: | 08-11-2010 |
| Base: | N | Eff. Date: | 07-17-2018 | Leads: | 9#18 | | |

| Specs | | | |
|---------------------------------|-------------------------|--------------------------------|-----------------|
| Catalog Number: | VEWDM3554 | Insulation Class: | F |
| Enclosure: | TENV | Inverter Code: | Inverter Ready |
| Frame: | 56C | KVA Code: | K |
| Frame Material: | Steel | Lifting Lugs: | No Lifting Lugs |
| Output @ Frequency: | 1.500 HP @ 60 HZ | Locked Bearing Indicator: | Locked Bearing |
| Synchronous Speed @ Frequency: | 1800 RPM @ 60 HZ | Motor Lead Quantity/Wire Size: | 9 @ 18 AWG |
| Voltage @ Frequency: | 460.0 V @ 60 HZ | Motor Lead Exit: | Ko Box |
| | 230.0 V @ 60 HZ | Motor Lead Termination: | Flying Leads |
| XP Class and Group: | None | Motor Type: | 3534M |
| XP Division: | Not Applicable | Mounting Arrangement: | F1 |
| Agency Approvals: | UR | Power Factor: | 76 |
| | CSA EEV | Product Family: | Wash Down |
| | CSA | Pulley End Bearing Type: | Sealed Bearing |
| Auxillary Box: | No Auxillary Box | Pulley Face Code: | C-Face |
| Auxillary Box Lead Termination: | None | Pulley Shaft Indicator: | Standard |
| Base Indicator: | No Mounting | Rodent Screen: | None |
| Bearing Grease Type: | Polyrex EM (-20F +300F) | RoHS Status: | ROHS COMPLIANT |
| Blower: | None | Shaft Extension Location: | Pulley End |

| | | | |
|---------------------------------------|---------------------------|------------------------------------|---------------------|
| Current @ Voltage: | 2.100 A @ 460.0 V | Shaft Ground Indicator: | No Shaft Grounding |
| | 4.200 A @ 230.0 V | Shaft Rotation: | Reversible |
| | 4.400 A @ 208.0 V | Shaft Slinger Indicator: | Shaft Slinger |
| Design Code: | B | Speed Code: | Single Speed |
| Drip Cover: | No Drip Cover | Motor Standards: | NEMA |
| Duty Rating: | CONT | Starting Method: | Direct on line |
| Electrically Isolated Bearing: | Not Electrically Isolated | Thermal Device - Bearing: | NONE (OLD) |
| Feedback Device: | NO FEEDBACK | Thermal Device - Winding: | None |
| Front Face Code: | Standard | Vibration Sensor Indicator: | No Vibration Sensor |
| Front Shaft Indicator: | None | Winding Thermal 1: | None |
| Heater Indicator: | No Heater | Winding Thermal 2: | None |

| Nameplate NP1669L | | | | | | | | | | |
|-------------------|--------------|--|------|----|----------------|------|-----|-------|----|---|
| CAT.NO. | VEWDM3554 | | | | | | | | | |
| SPEC. | 35S603M613G1 | | | | | | | | | |
| HP | 1.5 | | | | | | | | | |
| VOLTS | 230/460 | | | | | | | | | |
| AMP | 4.2/2.1 | | | | | | | | | |
| RPM | 1755 | | | | | | | | | |
| FRAME | 56C | | | | HZ | 60 | | | PH | 3 |
| SER.F. | 1.15 | | CODE | K | DES | B | | CLASS | F | |
| NEMA-NOM-EFF | 86.5 | | PF | 76 | | | | | | |
| RATING | 40C AMB-CONT | | | | | | | | | |
| CC | 010A | | | | USABLE AT 208V | | 4.4 | | | |
| DE | 6205 | | | | ODE | 6203 | | | | |
| ENCL | TENV | | SN | | | | | | | |
| BLANK | | | | | | | | | | |

| Parts List | | |
|--------------|--|----------|
| Part Number | Description | Quantity |
| SA201407 | SA 35S603M613G1 | 1.000 EA |
| RA188705 | RA 35S603M613G1 | 1.000 EA |
| NS2512A01 | INSULATOR, CONDUIT BOX X | 1.000 EA |
| 35CB3008A01W | 35 CB .50 NPT @ 6, MACH WHITE EPOXY | 1.000 EA |
| 35GS1040 | 35 MOLDED GASKET W/LIP, LEAD SEAL, | 1.000 EA |
| 51XB1016A08 | 10-16X 1/2HXWSSLD SERTYB | 2.000 EA |
| 11XW1032G06 | 10-32 X .38, TAPTITE II, HEX WSHR SLTD U | 1.000 EA |
| 35EP3122D00W | MASTER ODE,203 BRG,.125NPT DRNS(WHITE) | 1.000 EA |
| HW4072A01 | BLACK DRAIN PLUG FOR .125 NPT | 3.000 EA |
| HW5100A03 | WAVY WASHER (W1543-017) | 1.000 EA |
| 35EP3307E00W | MASTER DE,205 BRG,1.623SH,.125NPT DRNS,C | 1.000 EA |
| HW4072A01 | BLACK DRAIN PLUG FOR .125 NPT | 3.000 EA |
| HW4600B49 | SEAL 0.938 X 1.624 X 0.250 SINGLE LIP DB | 1.000 EA |
| 12XN1032S20 | 10-32 X 1-1/4 HEX M.S. , STAINLESS STEEL | 2.000 EA |
| 35CB4522 | 35 LIPPED CB LID PRIMED | 1.000 EA |
| 35GS1030A02 | 35 GS FOR CB LID - WHITE NEOPRENE | 1.000 EA |
| 59XW0832S07 | TAPTITE II,HEX WSHR UNSLTD SER,410 S.S., | 4.000 EA |
| HW4600B32SP | V-RING SLINGER 1.000 X 1.540 X .24 VITON | 1.000 EA |
| HW2502D13 | SS KEY, 3/16 SQ X 1.375 | 1.000 EA |
| HA7000A04 | KEY RETAINER 0.625 DIA SHAFTS | 1.000 EA |
| MJ5001A27 | 32220KN GRAY SEALER *MIN BUY 4 QTS=1GAL | 0.001 QT |
| LB1164 | LABEL,WARNING AND DRAIN | 1.000 EA |
| 85XU0407S04 | 4X1/4 U DRIVE PIN STAINLESS | 2.000 EA |
| HA5027A02 | HA4054 T-DRAIN X2 BAGGED WITH LABEL | 1.000 EA |

| Parts List (continued) | | |
|-------------------------------|---|-----------------|
| Part Number | Description | Quantity |
| MJ1000A02 | GREASE, POLYREX EM EXXON (USe 4824-15A) | 0.050 LB |
| MG1025Z02 | ACTIVATOR WILKOFAS 060.02HF | 0.010 GA |
| MG1025W01 | WILKOFAS 781.01, SIGNAL WHITE #9003 | 0.017 GA |
| HA3100S15 | THRUBOLT - 10-32 X 9.375 | 4.000 EA |
| LC0005 | CONN.DIA.,TY M,9-LD,DUAL VOLT,REVERSING | 1.000 EA |
| NP1669L | SS WD SUPER-E UL CSA-EEV PREM REV MTG | 1.000 EA |
| 35PA1066 | PKG GRP, PRINT PK1008A06 | 1.000 EA |
| PK3082 | STYROFOAM CRADLE | 1.000 EA |
| MN416A01 | TAG-INSTAL-MAINT no wire (1200/bx) 5/18 | 1.000 EA |
| PE-0000002 | ZRTG PE ASSEMBLY | 1.000 EA |
| FE-0000001 | ZRTG FE ASSEMBLY | 1.000 EA |

AC Induction Motor Performance Data

Record # 52498 - Typical performance - not guaranteed values

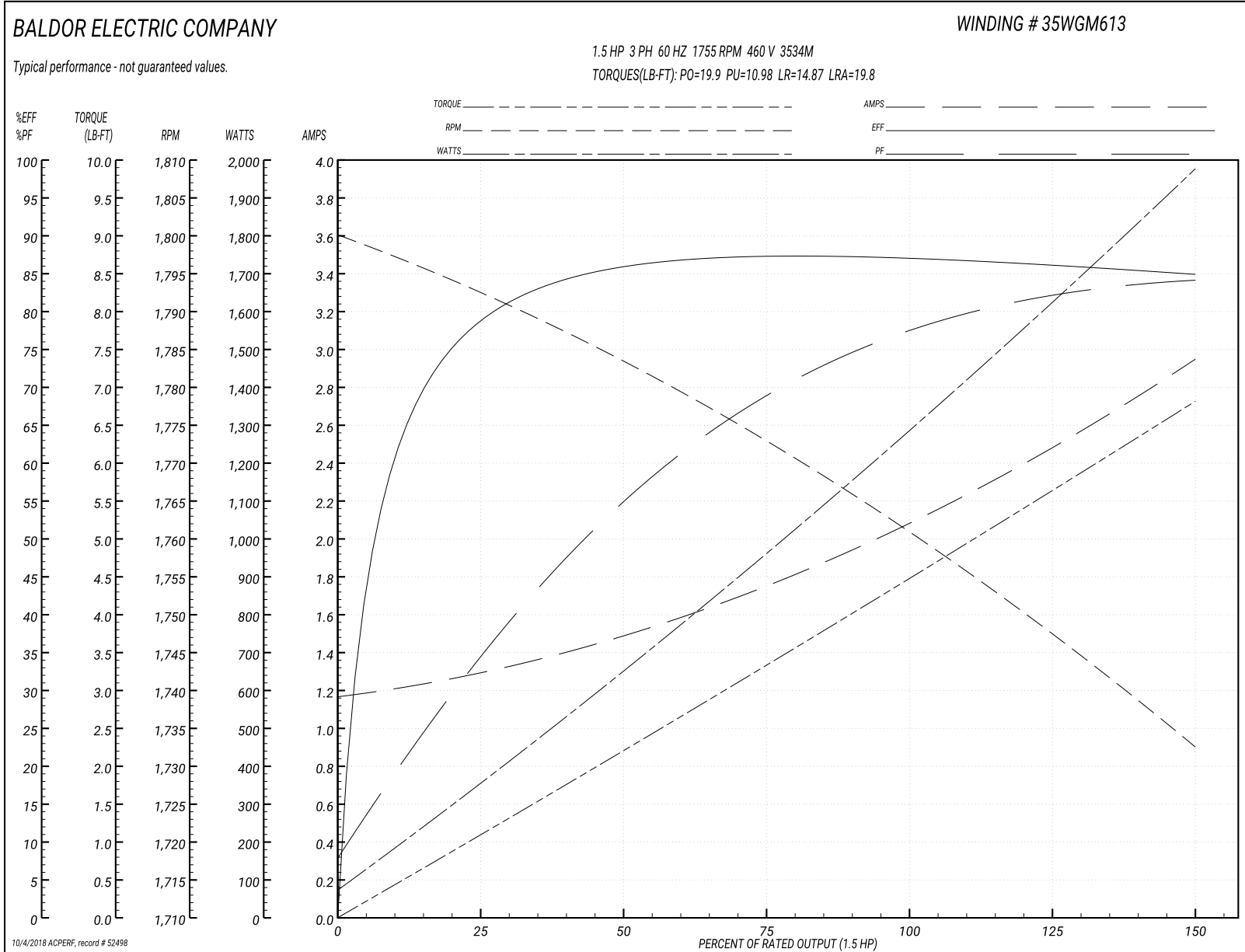
| | | |
|-------------------------------|--------------------|------------------------|
| Winding: 35WGM613-R012 | Type: 3534M | Enclosure: TENV |
|-------------------------------|--------------------|------------------------|

| Nameplate Data | | | | 460 V, 60 Hz: High Voltage Connection | |
|-----------------------|--------------|--------------|----|--|--------------------------|
| Rated Output (HP) | 1.5 | | | Full Load Torque | 4.49 LB-FT |
| Volts | 230/460 | | | Start Configuration | direct on line |
| Full Load Amps | 4.2/2.1 | | | Breakdown Torque | 19.9 LB-FT |
| R.P.M. | 1755 | | | Pull-up Torque | 10.98 LB-FT |
| Hz | 60 | Phase | 3 | Locked-rotor Torque | 14.87 LB-FT |
| NEMA Design Code | B | KVA Code | K | Starting Current | 19.8 A |
| Service Factor (S.F.) | 1.15 | | | No-load Current | 1.18 A |
| NEMA Nom. Eff. | 86.5 | Power Factor | 76 | Line-line Res. @ 25°C | 8.98 Ω |
| Rating - Duty | 40C AMB-CONT | | | Temp. Rise @ Rated Load | 88°C |
| S.F. Amps | | | | Temp. Rise @ S.F. Load | 104°C |
| | | | | Locked-rotor Power Factor | 48.1 |
| | | | | Rotor inertia | 0.201 LB-FT ² |

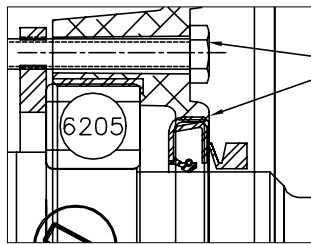
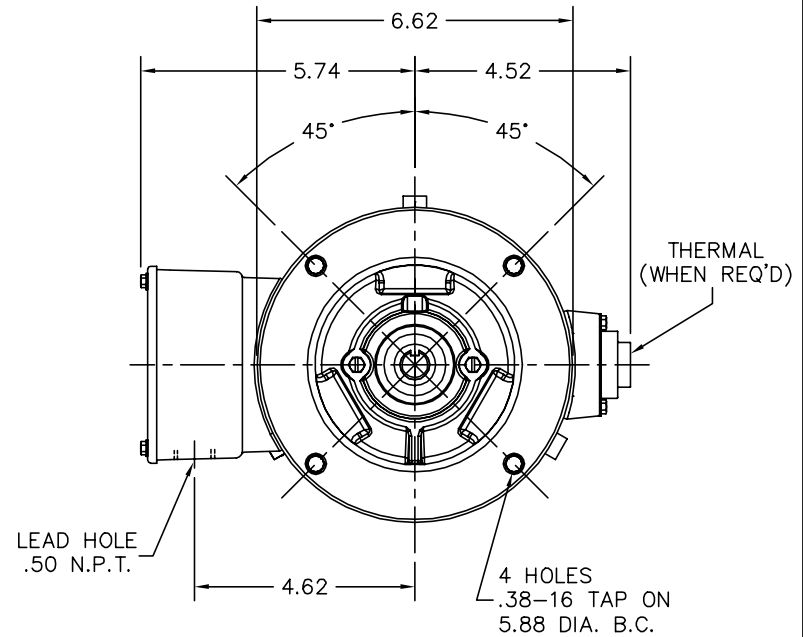
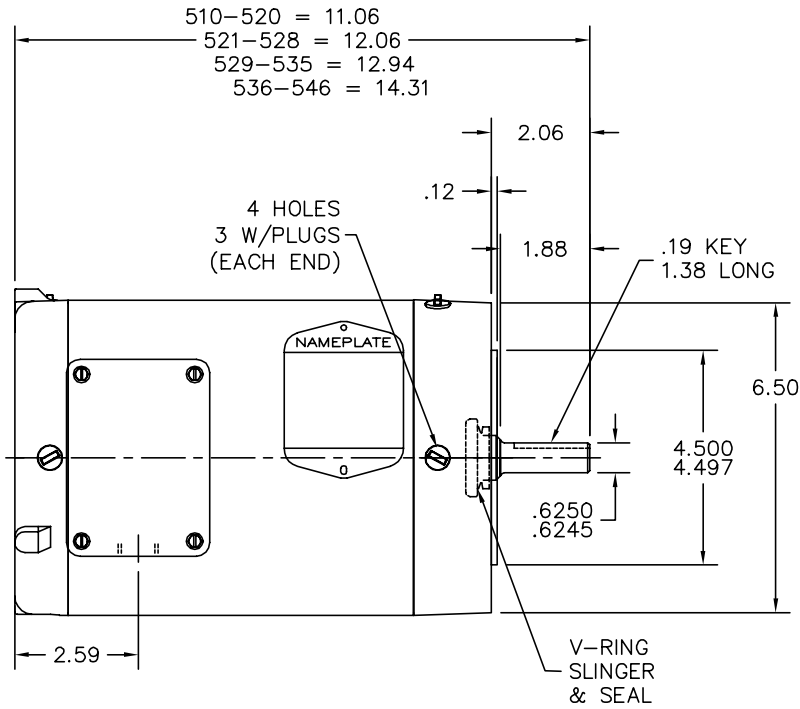
Load Characteristics 460 V, 60 Hz, 1.5 HP

| % of Rated Load | 25 | 50 | 75 | 100 | 125 | 150 | S.F. |
|-----------------|------|------|------|------|------|------|------|
| Power Factor | 36 | 56 | 69 | 77 | 82 | 85 | 79 |
| Efficiency | 78.6 | 85.5 | 87.4 | 87.1 | 86.3 | 84.8 | 88.5 |
| Speed | 1794 | 1784 | 1772 | 1760 | 1747 | 1733 | 1757 |
| Line amperes | 1.28 | 1.48 | 1.76 | 2.1 | 2.5 | 2.94 | 2.3 |

Performance Graph at 460V, 60Hz, 1.5HP Typical performance - Not guaranteed values



35LYS603



PULLEY END DETAIL

APPLY COAT OF SEALER UNDER SCREW HEADS AND TO SEAL HOUSING BEFORE PRESSING IN SEAL

CUSTOMER IS RESPONSIBLE FOR DETERMINING THAT BALDOR'S PRODUCT WILL PERFORM SUITABLY IN THE INTENDED APPLICATION.

| | | |
|---------------------------------------|------------------------------|-------------------|
| REV. DESC: UPDATE ENDPLATES AND NOTES | | |
| REV. LTR: F | VERSION: 06 | TDR: 000001078000 |
| FILE: \AAA\00092\985 | REVISED: 02:58:10 07/12/2018 | BY: USJOBUR22 |
| MTL: - | ⊙ ⊐ | |

BALDOR - RELIANCE®

STD VERT 56C TENV 35M WD (S/P #9)

SH 1 of 1

35LYS603

CD0005

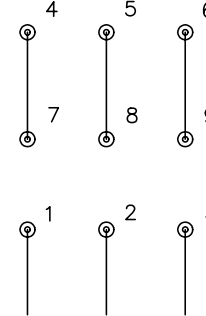


LOW VOLTAGE
(2Y)



LINE

HIGH VOLTAGE
(1Y)



LINE

NOTES:

1. INTERCHANGE ANY TWO LINE LEADS TO REVERSE ROTATION.
2. OPTIONAL THERMOSTATS ARE PROVIDED WHEN SPECIFIED.
3. ACTUAL NUMBER OF INTERNAL PARALLEL CIRCUITS MAY BE A MULTIPLE OF THOSE SHOWN ABOVE.
4. LEAD COLORS ARE OPTIONAL. LEADS MUST ALWAYS BE NUMBERED AS SHOWN.

| | | | |
|---|---------|-------------------------|--------------|
| REV. DESC: REVISE TO SHOW OPTIONAL COLORS | | | |
| REV. LTR: E | BY: JLP | REVISED: 01/19/99 10:15 | TDR: 0171435 |
| 900000 | | FILE: AAA00005140 | MDL: - |
| | | MTL: - | |

BALDOR ELECTRIC Co.

3PH, DV, 9 LEADS

CD0005