

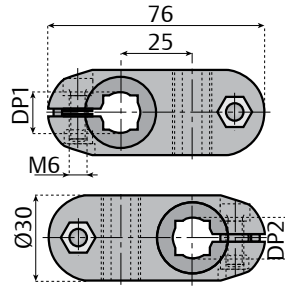
Chains & sprockets	Wear strips	Side guide brackets & accessories	Levelers
Modular belts & sprockets	Chain & belt return systems	Frame & structure supports	Bearings
Curves & tracks	Side guide solutions	Miscellaneous products	Related information



**5 3 6 1 5 a**

## Standard cross blocks

[www.SystemPlastSmartGuide.com](http://www.SystemPlastSmartGuide.com)



For other type of cross block, go to:

**5 3 6 1 0 a**  
**5 3 6 2 0 a**



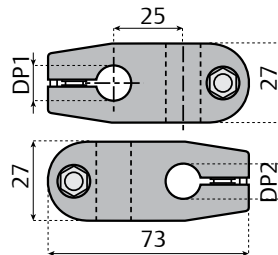
Click here for related information.

**Features:** cross blocks, in a variety of bore configurations, including square bore combinations, are manufactured from reinforced polyamide.  
**Use:** connects two round or square rods at 90°.  
**Material:** reinforced polyamide with stainless steel fasteners.  
**Supply:** assembled.

### Heavy duty



**Features:** cross blocks, in a variety of bore configurations, including square bore combinations, are manufactured from reinforced acetal.  
**Use:** connects two round or square rods at 90°.  
**Material:** acetal resin with stainless steel fasteners.  
**Supply:** assembled.

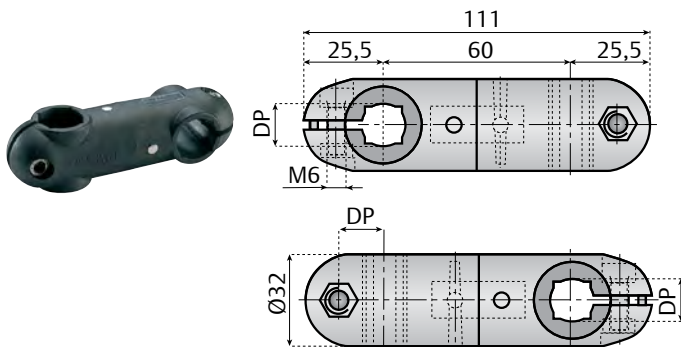


DP 2	DP 1					
	●14/■12	●15	●16/■14	●18	●20/■16	
Item description						n° 50
●14/■12	CC-25-14M-14M	-	-	-	-	
●15	-	CC-25-15M-15M	-	-	-	
●16/■14	CC-25-14M-16M	CC-25-15M-16M	CC-25-16M-16M	-	-	
●18	CC-25-14M-18M	CC-25-15M-18M	CC-25-16M-18M	CC-25-18M-18M	-	
●20/■16	CC-25-14M-20M	-	CC-25-16M-20M	CC-25-18M-20M	CC-25-20M-20M	

Item description	DP 1	DP 2	
VG-620-12M-12M	12	12	n°10
VG-620-12M-16M	12	16	
VG-620-14M-14M	14	14	
VG-620-15M-15M	15	15	
VG-620-16M-16M	16	16	
VG-620-18M-18M	18	18	

## Extra long cross or parallel blocks

**Features:** cross blocks, in a variety of bore configurations, including square bore combinations.  
**Material:** reinforced polyamide with stainless steel bolts. Internal connecting joint and pins in nickel plated brass.  
**Supply:** assembled.



**Use:** it connects two round or square rods at 90°.



These clamps can also be assembled for 2 parallel rods.



Item description	DP		
	●	■	
VG-60-14M-14M	14	12	n° 100
VG-60-18M-18M	18	-	
VG-60-20M-20M	20	16	