

Chains & sprockets	Wear strips	Side guide brackets & accessories	Levelers
Modular belts & sprockets	Chain & belt return systems	Frame & structure supports	Bearings
Curves & tracks	Side guide solutions	Miscellaneous products	Related information

54030a

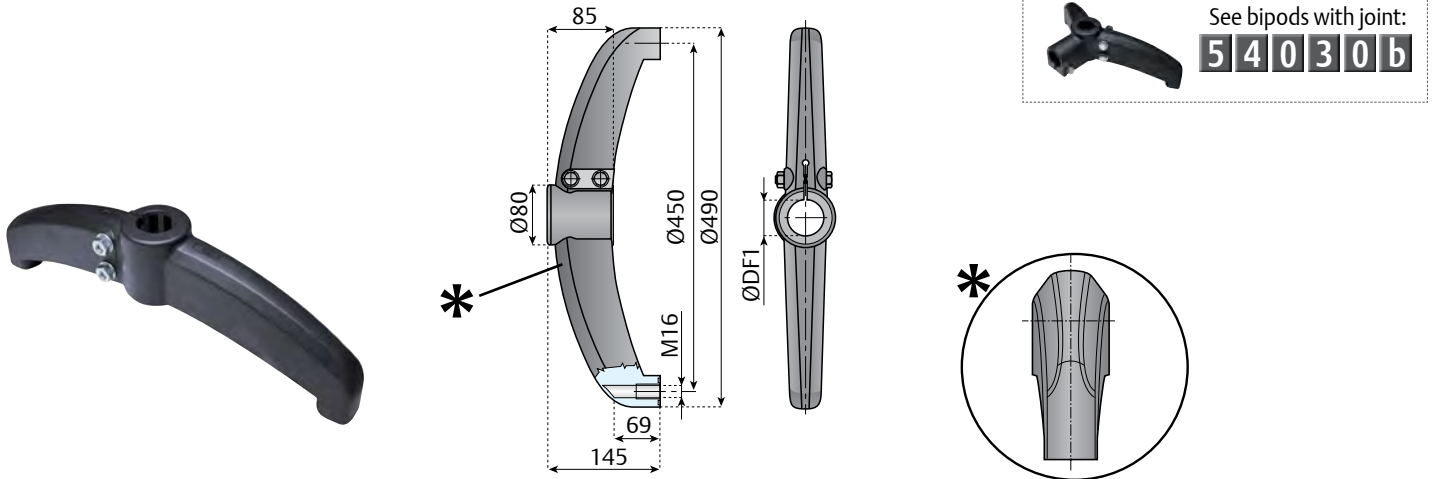
Support bases

www.SystemPlastSmartGuide.com

Features: Increased stability. Self cleaning design for all support bases in this page
Material: Reinforced polyamide threaded bushings and spacers in nickel plated brass.

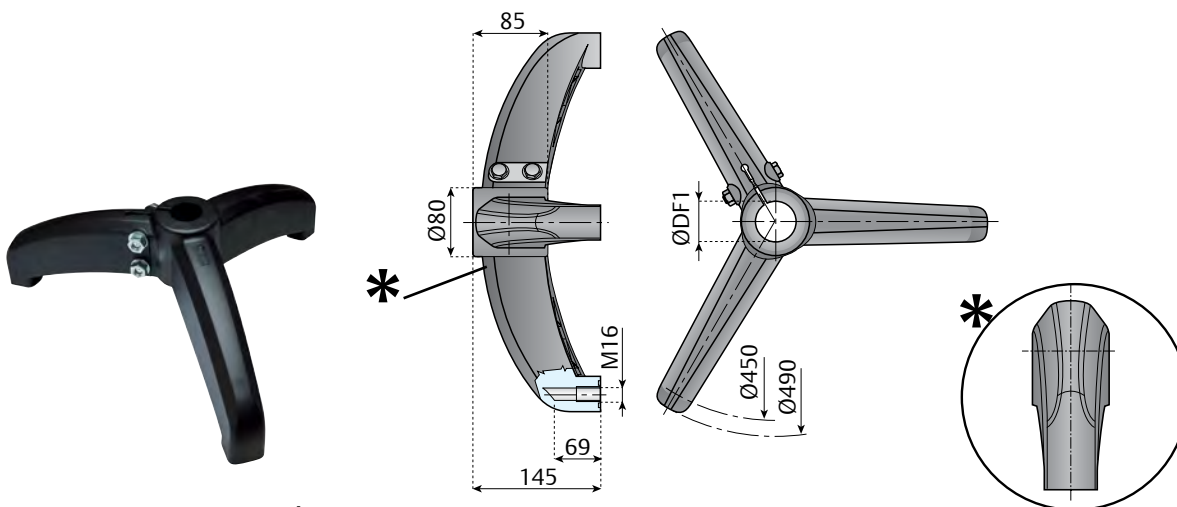


Click here for related information.



Bipods

Zn: Zinc Plated Steel	Tube Ø - DF1					
SS AISI 304: Stainless steel	42,4 (1 1/4")	48,3 (1 1/2")	50,9 -	60,3 (2")		
PA-FG Black	Fasteners	Item description				n° 15
	Zn	VG-BP-R125-G	VG-BP-R150-G	VG-BP-R200T-G	VG-BP-R200-G	
SS AISI 304		VG-BP-R125-S	VG-BP-R150-S	VG-BP-R200T-S	VG-BP-R200-S	



Tripods

Zn: Zinc Plated Steel	Tube Ø - DF1					
SS AISI 304: Stainless steel	42,4 (1 1/4")	48,3 (1 1/2")	50,9 -	60,3 (2")		
PA-FG Black	Fasteners	Item description				n° 15
	Zn	VG-TP-R125-G	VG-TP-R150-G	VG-TP-R200T-G	VG-TP-R200-G	
SS AISI 304		VG-TP-R125-S	VG-TP-R150-S	VG-TP-R200T-S	VG-TP-R200-S	