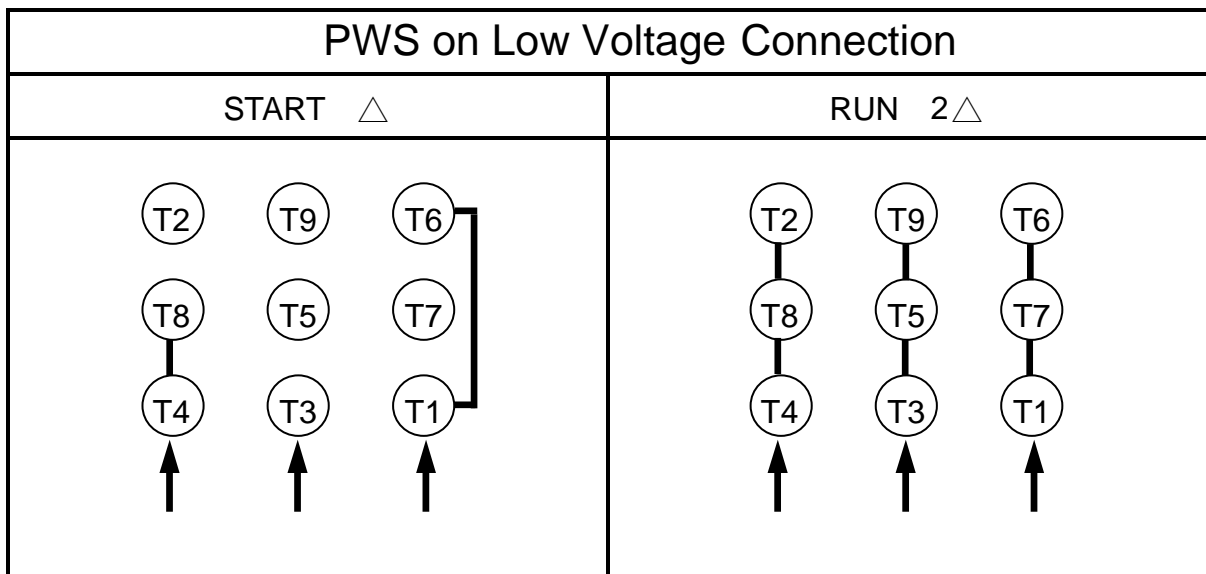
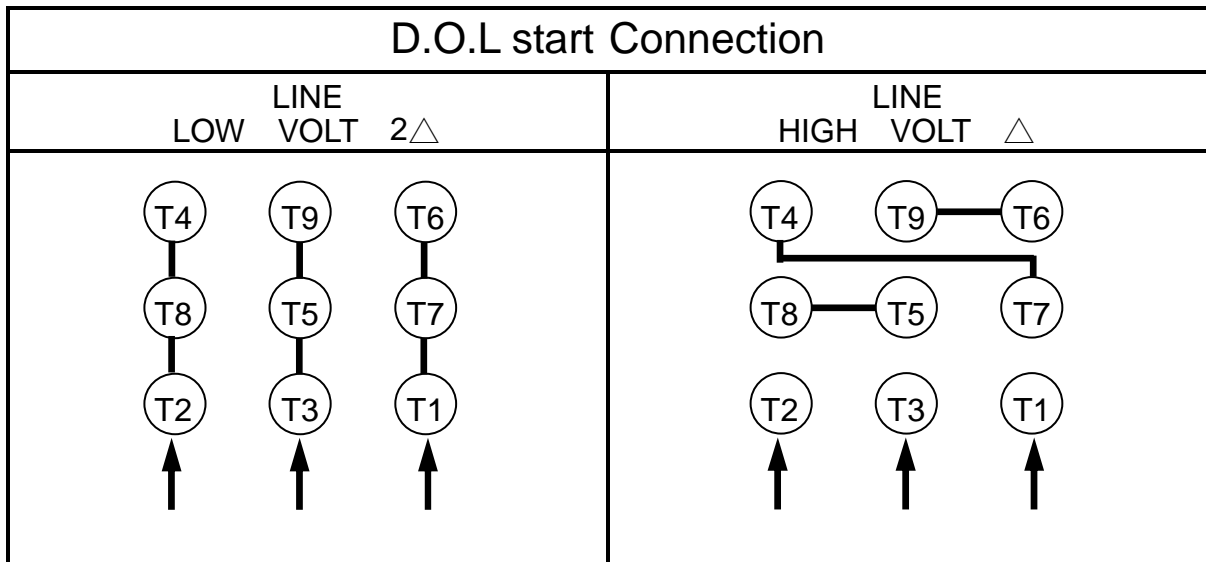


SCHEMATIC – 2 Δ / Δ CONNECTION



APPD.	M.C.Tsai	May,05,'09	TECO Electric & Machinery Co., Ltd.	DWG NO :	DAC-1703
CHKD.	C.L.Huang	May,05,'09			
DWN.	J.C.Lan	May,04,'09			