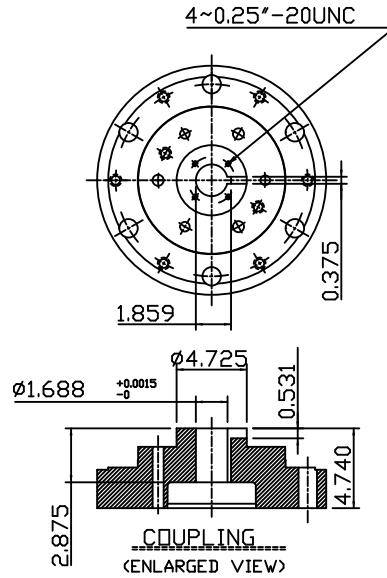
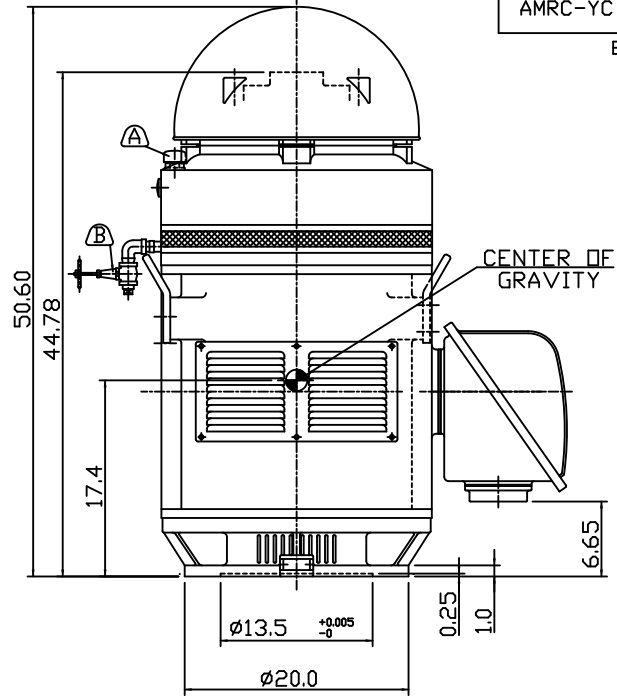
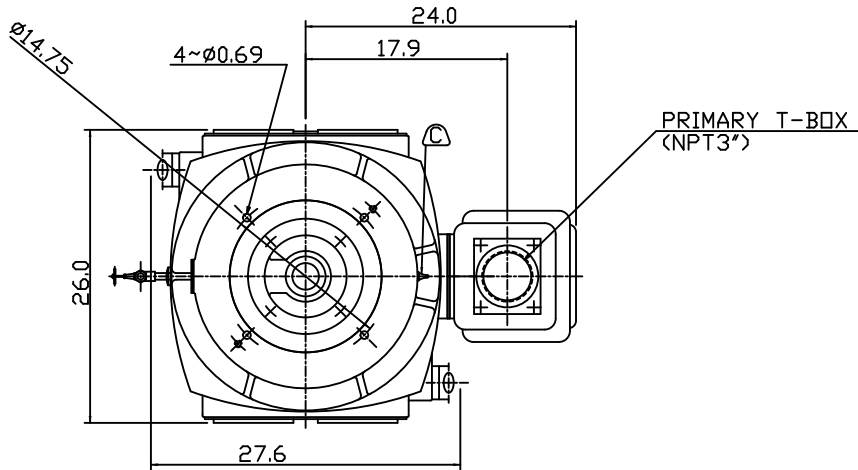


TYPE	OUTPUT		POLE	TIME RATING	VOLTAGE V	Hz	SYN.SPEED R.P.M
	HP.	kW.					
AMRC-YC	250	187	4	CONT	460	60	1800

ENCLOSED VENTILATED VERTICAL HOLLOW SHAFT TYPE, SQUIRREL CAGE ROTOR  
NEMA WEATHER PROTECTED TYPE I



- NOTE:
1. DIMENSIONS IN INCHES.
  2. FRAME NO.445TP20.
  3. F CLASS INSULATION.
  4. FOR DIRECT FLEXIBLE COUPLING.
  5. BEARING SIZE:  
UPPER BEARING: 7326B [UNINSULATED]  
LOWER BEARING: 6318C3 [UNINSULATED]
  6. LUBRICATION:  
UPPER BEARING USE OIL.  
OIL VISCOSITY: ISO VG68[300 SSU/100°F]  
OIL QUANTITY: 6.6GAL.  
LOWER BEARING USE ESSO POLYREX EM GREASE.
  7. THRUST CAPACITY:  
MAX. ALLOWABLE CONT. DOWNTHRUST: 13400 LBS.  
BEARING LIFE: B10/8800 HRS.
  8. ROTATION: COUNTER-CLOCKWISE(VIEWED FROM TOP).
  9. WITH NON-REVERSE RATCHET MECHANISM.
  10. WITH GIB KEY: 0.375x0.375x2.875, 1PCS
  11. NATURAL REED FREQUENCY: 47HZ.  
ABOVE CALCULATION IS CONSIDERING MOTOR AND FOR REFERENCE ONLY.  
THE WHOLE PUMPING SYSTEM ANALYSIS SHALL BE PERFORMED BY THE PUMP MANUFACTURER.
  12. MOTOR APPROX. WEIGHT: 1940LBS.



- (A) OIL FILLER [UPPER BEARING]  
(B) OIL DRAIN [UPPER BEARING]  
(C) GREASE INLET NIPPLE [LOWER BEARING]

DATE	MARCH 6, 2012	OUTLINE DIMENSIONS
CAT. #:	VHP2504	

DWN.	S.WANG	FEB-25-2009
CHKD.	S.WANG	FEB-25-2009
APPD.	C.WANG	FEB-26-2009

TEC Westinghouse

DWG NO. REV:00  
3B040T894