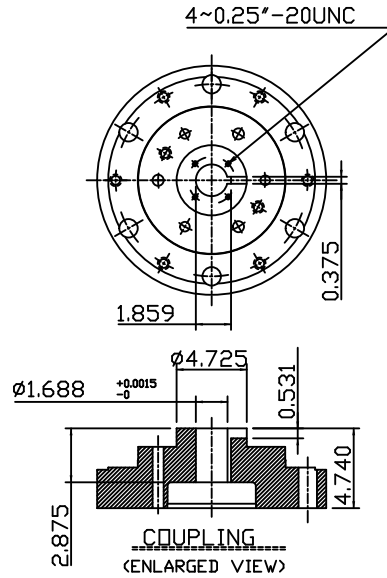
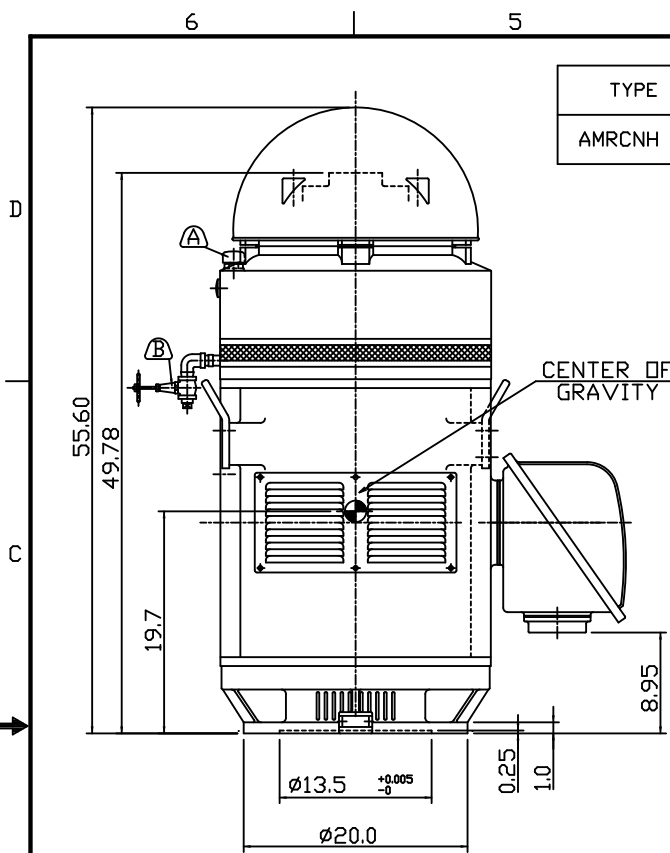


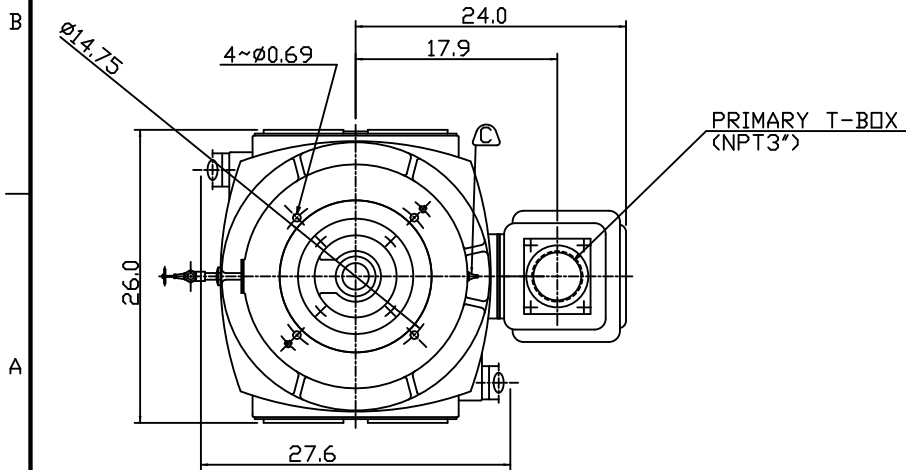
TYPE	OUTPUT		POLE	TIME RATING	VOLTAGE V	Hz	SYN.SPEED R.P.M
	HP.	kW.					
AMRCNH	350	261.1	4	CONT	380	50	1800

ENCLOSED VENTILATED VERTICAL HOLLOW SHAFT TYPE, SQUIRREL CAGE ROTOR  
NEMA WEATHER PROTECTED TYPE I



NOTE:

1. DIMENSIONS IN INCHES.
2. FRAME NO.447TP.
3. F CLASS INSULATION.
4. FOR DIRECT FLEXIBLE COUPLING.
5. BEARING SIZE:  
UPPER BEARING: 7326B [UNINSULATED]  
LOWER BEARING: 6318C3 [UNINSULATED]
6. LUBRICATION:  
UPPER BEARING USE OIL.  
OIL VISCOSITY: ISO VG68[300 SSU/100°F]  
OIL QUANTITY: 8.6GAL.  
LOWER BEARING USE ESSO POLYREX EM GREASE.
7. THRUST CAPACITY:  
MAX. ALLOWABLE CONT. DOWNTHRUST: 13300 LBS.  
BEARING LIFE: B10/8800 HRS.
8. ROTATION: COUNTER-CLOCKWISE(VIEWED FROM TOP).
9. WITH NON-REVERSE RATCHET MECHANISM.
10. WITH GIB KEY:0.375x0.375x2.875,1PCS
11. NATURAL REED FREQUENCY: 45HZ.  
ABOVE CALCULATION IS CONSIDERING MOTOR AND FOR REFERENCE ONLY.  
THE WHOLE PUMPING SYSTEM ANALYSIS SHALL BE PERFORMED BY THE PUMP MANUFACTURER.
12. MOTOR APPROX. WEIGHT: 2900LBS.



- (A) OIL FILLER [UPPER BEARING]
- (B) OIL DRAIN [UPPER BEARING]
- (C) GREASE INLET NIPPLE [LOWER BEARING]

DATE MARCH 6, 2012	OUTLINE DIMENSIONS	
CAT. #: VHP3504-50	3-PHASE INDUCTION MOTOR	
DWN. S.WANG FEB-25-2009	TEC Westinghouse	DWG NO. REV:00
CHKD. S.WANG FEB-25-2009		3B040T897
APPD. C.WANG FEB-26-2009		