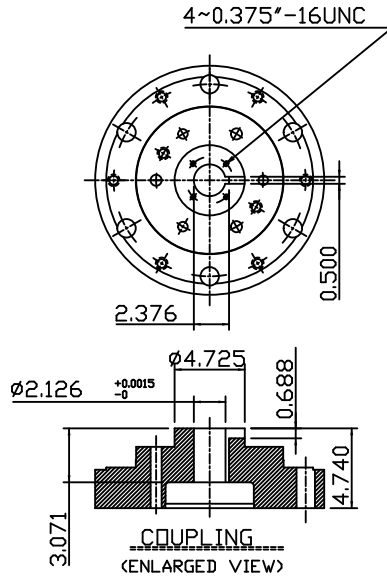
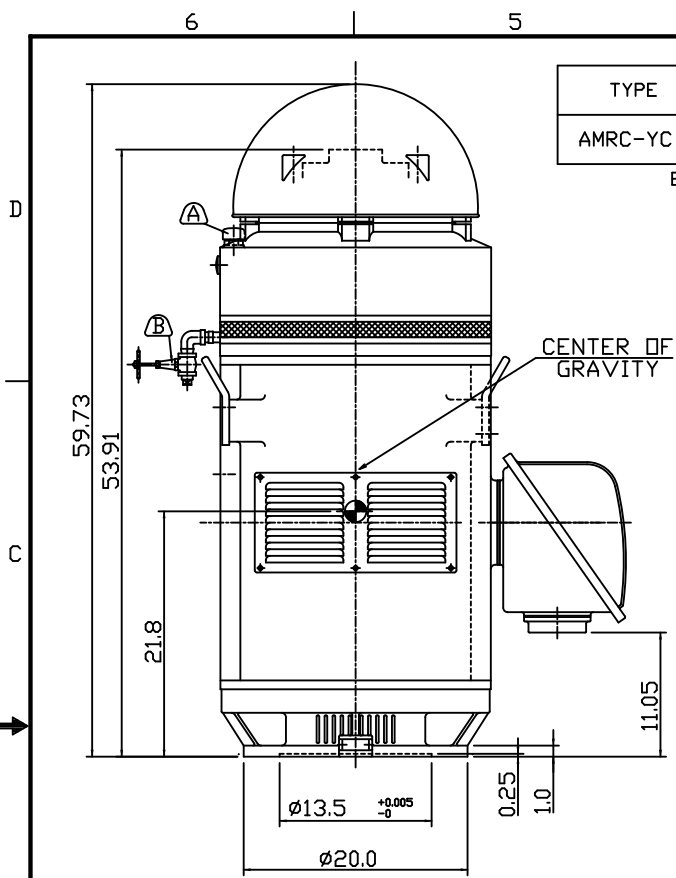
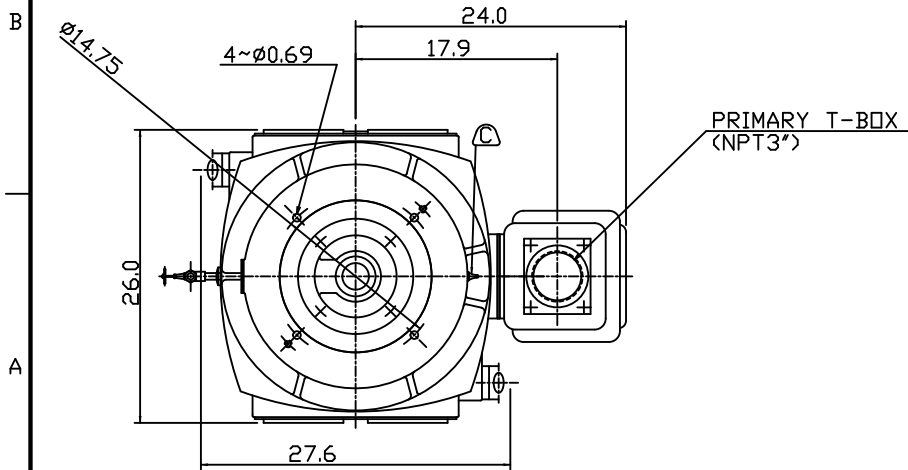


TYPE	OUTPUT		POLE	TIME RATING	VOLTAGE V	Hz	SYN.SPEED R.P.M
	HP.	kW.					
AMRC-YC	400	299	4	CONT	460	60	1800

ENCLOSED VENTILATED VERTICAL HOLLOW SHAFT TYPE, SQUIRREL CAGE ROTOR  
NEMA WEATHER PROTECTED TYPE I



- NOTE:
- DIMENSIONS IN INCHES.
  - FRAME NO.449TP.
  - F CLASS INSULATION.
  - FOR DIRECT FLEXIBLE COUPLING.
  - BEARING SIZE:  
UPPER BEARING: 7326B [UNINSULATED]  
LOWER BEARING: 6318C3 [UNINSULATED]
  - LUBRICATION:  
UPPER BEARING USE OIL.  
OIL VISCOSITY: ISO VG68[300 SSU/100°F]  
OIL QUANTITY: 8.6GAL.  
LOWER BEARING USE ESSO POLYREX EM GREASE.
  - THRUST CAPACITY:  
MAX. ALLOWABLE CONT. DOWNTHRUST: 13200 LBS.  
BEARING LIFE: B10/8800 HRS.
  - ROTATION: COUNTER-CLOCKWISE(VIEWED FROM TOP).
  - WITH NON-REVERSE RATCHET MECHANISM.
  - WITH GIB KEY:0.500x0.500x3.071,1PCS
  - NATURAL REED FREQUENCY: 40HZ.  
ABOVE CALCULATION IS CONSIDERING MOTOR AND FOR REFERENCE ONLY.  
THE WHOLE PUMPING SYSTEM ANALYSIS SHALL BE PERFORMED BY THE PUMP MANUFACTURER.
  - MOTOR APPROX. WEIGHT: 3320LBS.



- (A) OIL FILLER [UPPER BEARING]  
(B) OIL DRAIN [UPPER BEARING]  
(C) GREASE INLET NIPPLE [LOWER BEARING]

DATE MARCH 6, 2012	OUTLINE DIMENSIONS	
CAT. #: VHP4004	3-PHASE INDUCTION MOTOR	
DWN. S.WANG FEB.25.2009	TEC Westinghouse	DWG NO. REV:00
CHKD. S.WANG FEB.25.2009		3B040T898
APPD. C.WANG FEB.26.2009		