

BALDOR® • RELIANCE 

Product Information Packet

VL1303A

.5HP,3450RPM,1PH,60HZ,56C,3420L,OPEN,F1

Part Detail							
Revision:	R	Status:	PRD/A	Change #:		Proprietary:	No
Type:	AC	Elec. Spec:	34WG2413	CD Diagram:	CD0052	Mfg Plant:	
Mech. Spec:	34F493	Layout:	34LYF493	Poles:	02	Created Date:	
Base:	N	Eff. Date:	08-27-2018	Leads:	6#18,1#16 #1TH		

Specs			
Catalog Number:	VL1303A	Inverter Code:	Not Inverter
Enclosure:	OPEN	KVA Code:	L
Frame:	56C	Lifting Lugs:	No Lifting Lugs
Frame Material:	Steel	Locked Bearing Indicator:	Locked Bearing
Output @ Frequency:	.500 HP @ 60 HZ	Motor Lead Quantity/Wire Size:	6 @ 18 AWG
Synchronous Speed @ Frequency:	3600 RPM @ 60 HZ	Motor Lead Exit:	Terminal Panel Or Lead Hole
Voltage @ Frequency:	115.0 V @ 60 HZ	Motor Lead Termination:	Flying Leads
	230.0 V @ 60 HZ	Motor Type:	3420L
XP Class and Group:	None	Mounting Arrangement:	F1
XP Division:	Not Applicable	Power Factor:	67
Agency Approvals:	UR	Product Family:	General Purpose
	CSA	Pulley End Bearing Type:	Ball
Auxillary Box:	No Auxillary Box	Pulley Face Code:	C-Face
Auxillary Box Lead Termination:	None	Pulley Shaft Indicator:	Standard
Base Indicator:	No Mounting	Rodent Screen:	None
Bearing Grease Type:	Polyrex EM (-20F +300F)	Shaft Extension Location:	Pulley End
Blower:	None	Shaft Ground Indicator:	No Shaft Grounding
Current @ Voltage:	3.700 A @ 230.0 V	Shaft Rotation:	Reversible: Connected OPP STD

	7.400 A @ 115.0 V	Shaft Slinger Indicator:	No Slinger
Design Code:	N	Speed Code:	Single Speed
Drip Cover:	Drip Cover	Motor Standards:	NEMA
Duty Rating:	CONT	Starting Method:	Direct on line
Electrically Isolated Bearing:	Not Electrically Isolated	Thermal Device - Bearing:	NONE (OLD)
Feedback Device:	NO FEEDBACK	Thermal Device - Winding:	None
Front Face Code:	Terminal Panel	Vibration Sensor Indicator:	No Vibration Sensor
Front Shaft Indicator:	None	Winding Thermal 1:	Automatic Thermal Overload
Heater Indicator:	No Heater	Winding Thermal 1 Location:	SB
Insulation Class:	B	Winding Thermal 2:	None

Nameplate NP1257L	
CAT.NO.	VL1303A
SPEC.	34F493-2413
HP	.5
VOLTS	115/230
AMP	7.4/3.7
RPM	3450
FRAME	56C
SER.F.	1.60
NEMA-NOM-EFF	66
RATING	40C AMB-CONT
CC	
DE	6203
ENCL	OPEN
	SFA 9.4/4.7

CODE	L	DES	N	CL	B	PH	1
PF	67						
				USABLE AT 208V			
		ODE	6203				
		SN					

Parts List		
Part Number	Description	Quantity
SA010393	SA 34F493-2413	1.000 EA
RA006772	RA 34F493-2413	1.000 EA
TPMRJ30RX	THERMAL 1PH 0.75 AUT 120C	1.000 EA
EC1189A02SP	61B2D120189NNBA ELEC CAP, 189-227MFD, 12	1.000 EA
WD4100A01	DP-875 HEYCO PLUG OR 62MP0875 MICRO PLAS	1.000 EA
51XW0832A07	8-32 X .44, TAPTITE II, HEX WSHR SLTD SE	3.000 EA
11XT0832G06	8-32 X 3/8 TY 23 TAPPING	1.000 EA
NS2500A01	INSULATOR, AUTO THER PROT	1.000 EA
51XT0632A06	6-32X3/8 TY23 HXWS SLDSR	2.000 EA
34CB4800SP	CAPACITOR COVER, STAMPED PRIMED	1.000 EA
51XB1016A05	10-16X5/16HX WA SL SR TYB (F/S)	2.000 EA
WD1000A16	2-520128-2 AMP FLAG TERMINAL(4M/RL)	1.000 EA
HW5100A03	WAVY WASHER (W1543-017)	1.000 EA
34EP3401A01SP	PU ENDPLATE, MACH	1.000 EA
34AD2000	BAFFLE PLATE, STAMPED	1.000 EA
60XW0632A06	6-32 X 3/8 TORX HEAD SCREW TAPTITE II	4.000 EA
51XN1032A20	10-32 X 1 1/4 HX WS SL SR	2.000 EA
34FH4500A02P	DRIPCOVER, MODEL 34	1.000 EA
51XW0832A07	8-32 X .44, TAPTITE II, HEX WSHR SLTD SE	2.000 EA
34CB4501SP	TERMINAL BOX LID, STAMPED X (PLATED)	1.000 EA
51XW0832A07	8-32 X .44, TAPTITE II, HEX WSHR SLTD SE	2.000 EA
HW2501D13	KEY, 3/16 SQ X 1.375	1.000 EA
HA7000A04	KEY RETAINER 0.625 DIA SHAFTS	1.000 EA
34EP3202A03	FR ENDPLATE, MACH	1.000 EA

Parts List (continued)		
Part Number	Description	Quantity
HA6001A03	THERMAL RETAINER (PLATED)	1.000 EA
NS2500A01	INSULATOR, AUTO THER PROT	1.000 EA
MG1000G27	MED CHARCOAL METALLIC GREY 400-0096	0.014 GA
85XU0407S04	4X1/4 U DRIVE PIN STAINLESS	2.000 EA
SP5086A01	34 TERM PANEL SWITCH W/E-BLK & 8-RED	1.000 EA
HA3100A37	THRUBOLT 10-32 X 8.500	4.000 EA
MN416A01	TAG-INSTAL-MAINT no wire (1200/bx) 5/18	1.000 EA
LB1118	LABEL,WARNING (ROLL LABEL)	1.000 EA
LC0052	CONNECTION LABEL	1.000 EA
NP1257L	ALUM UL CSA CC THERMAL REV MTG	1.000 EA
35PA1000	PKG GRP, PRINT PK1008A06	1.000 EA
PK3083T	STYROFOAM PACKING CRADLE	1.000 EA
PK3088	MICROFOAM, 8"X"8 PERF. SHEETS 5,400/RL	1.000 EA

AC Induction Motor Performance Data
Record # 6647 - Typical performance - not guaranteed values

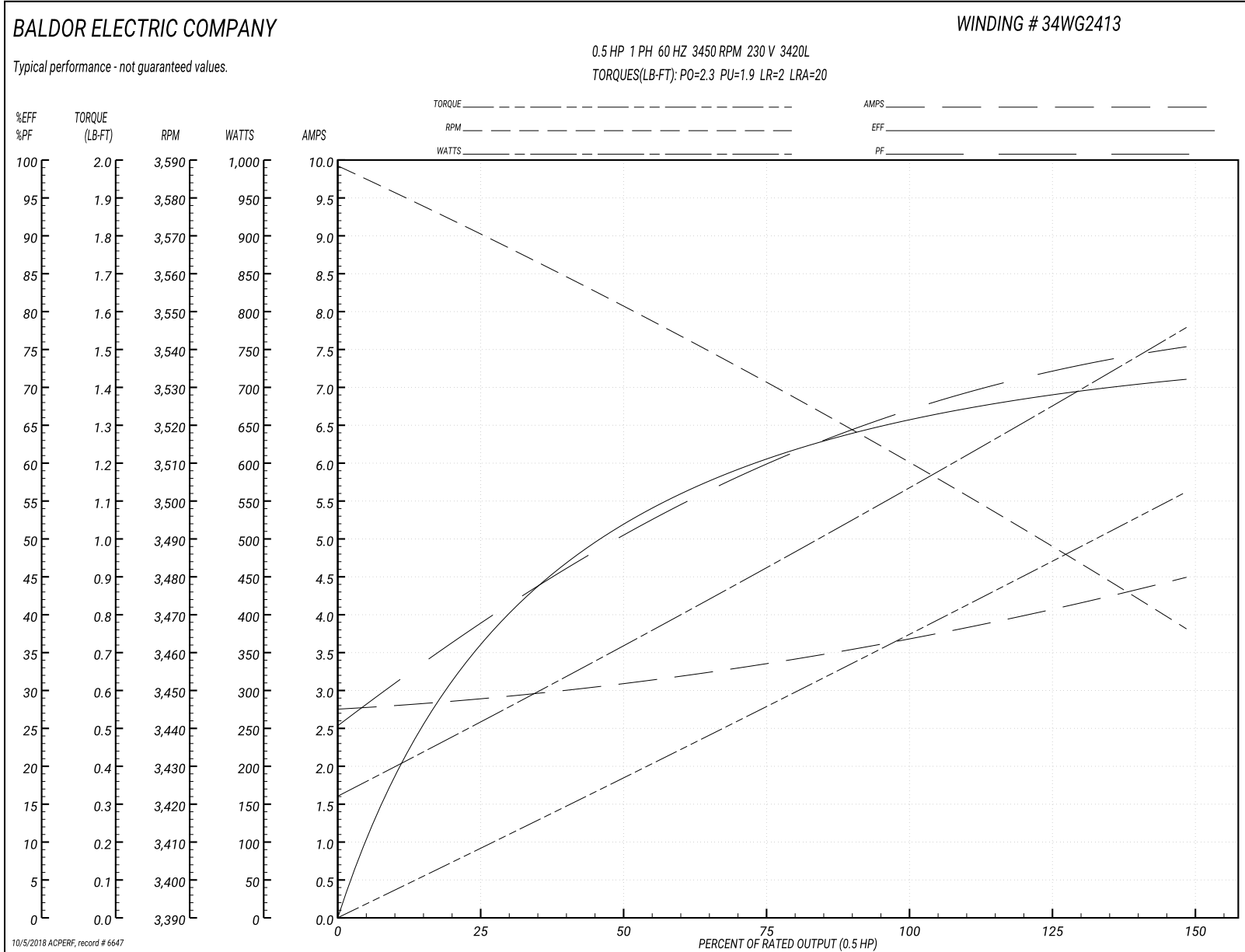
Winding: 34WG2413-R001	Type: 3420L	Enclosure: OPEN
-------------------------------	--------------------	------------------------

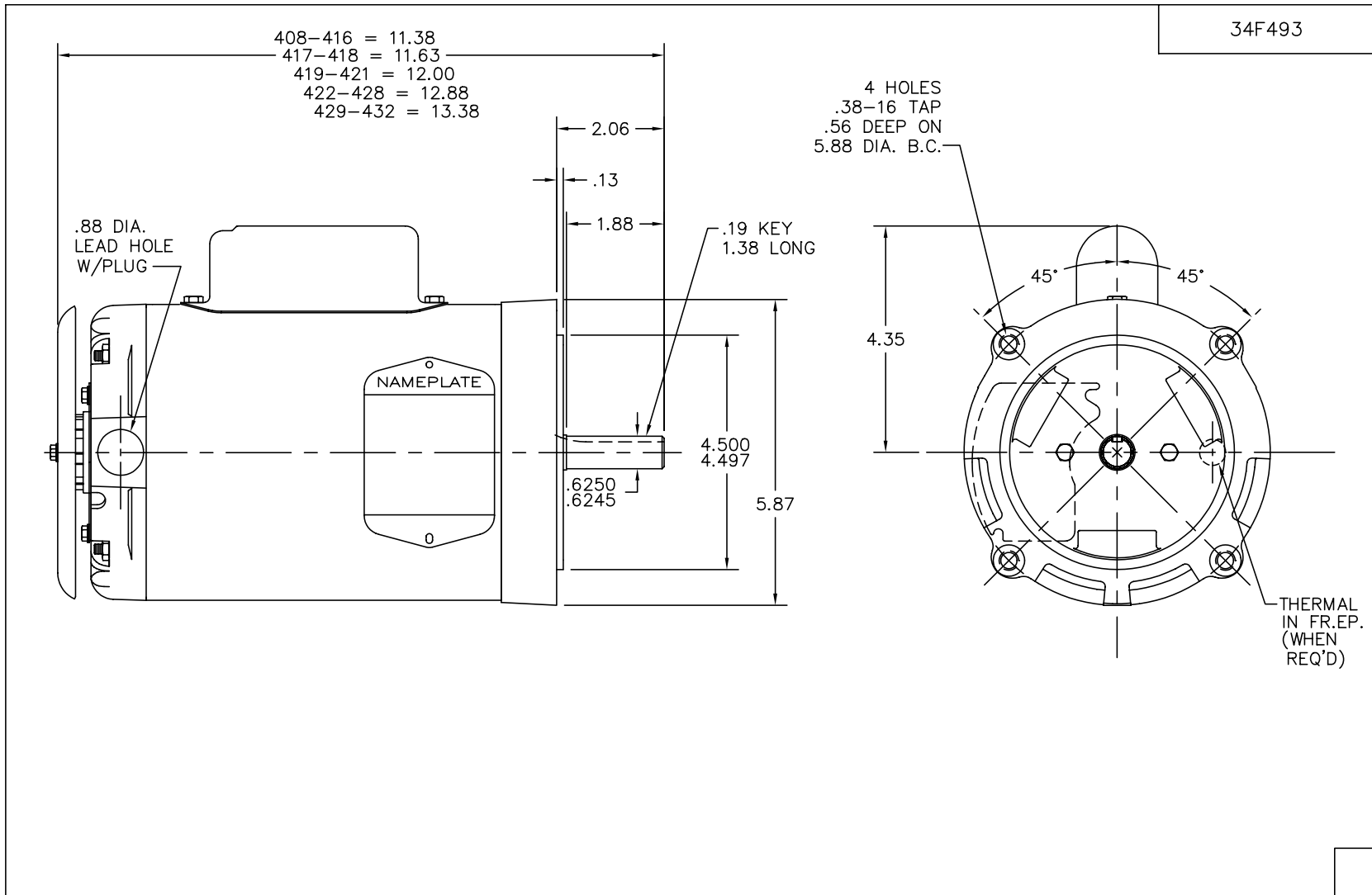
Nameplate Data				230 V, 60 Hz: High Voltage Connection	
Rated Output (HP)	.5			Full Load Torque	0.75 LB-FT
Volts	115/230			Start Configuration	direct on line
Full Load Amps	7.4/3.7			Breakdown Torque	2.3 LB-FT
R.P.M.	3450			Pull-up Torque	1.9 LB-FT
Hz	60	Phase	1	Locked-rotor Torque	2 LB-FT
NEMA Design Code	N	KVA Code	L	Starting Current	20 A
Service Factor (S.F.)	1.6			No-load Current	2.75 A
NEMA Nom. Eff.	66	Power Factor	67	Line-line Res. @ 25°C	3.55 Ω A Ph 2.56 Ω B Ph
Rating - Duty	40C AMB-CONT			Temp. Rise @ Rated Load	33°C
S.F. Amps	9.4/4.7			Temp. Rise @ S.F. Load	53°C

Load Characteristics 230 V, 60 Hz, 0.5 HP

% of Rated Load	25	50	75	100	125	150	S.F.
Power Factor	38	50	60	67	73	77	78
Efficiency	36	52	61	66	69	71	71
Speed	3570	3550	3530	3511	3490	3465	3460
Line amperes	2.9	3.1	3.35	3.7	4.05	4.5	4.7

Performance Graph at 230V, 60Hz, 0.5HP Typical performance - Not guaranteed values



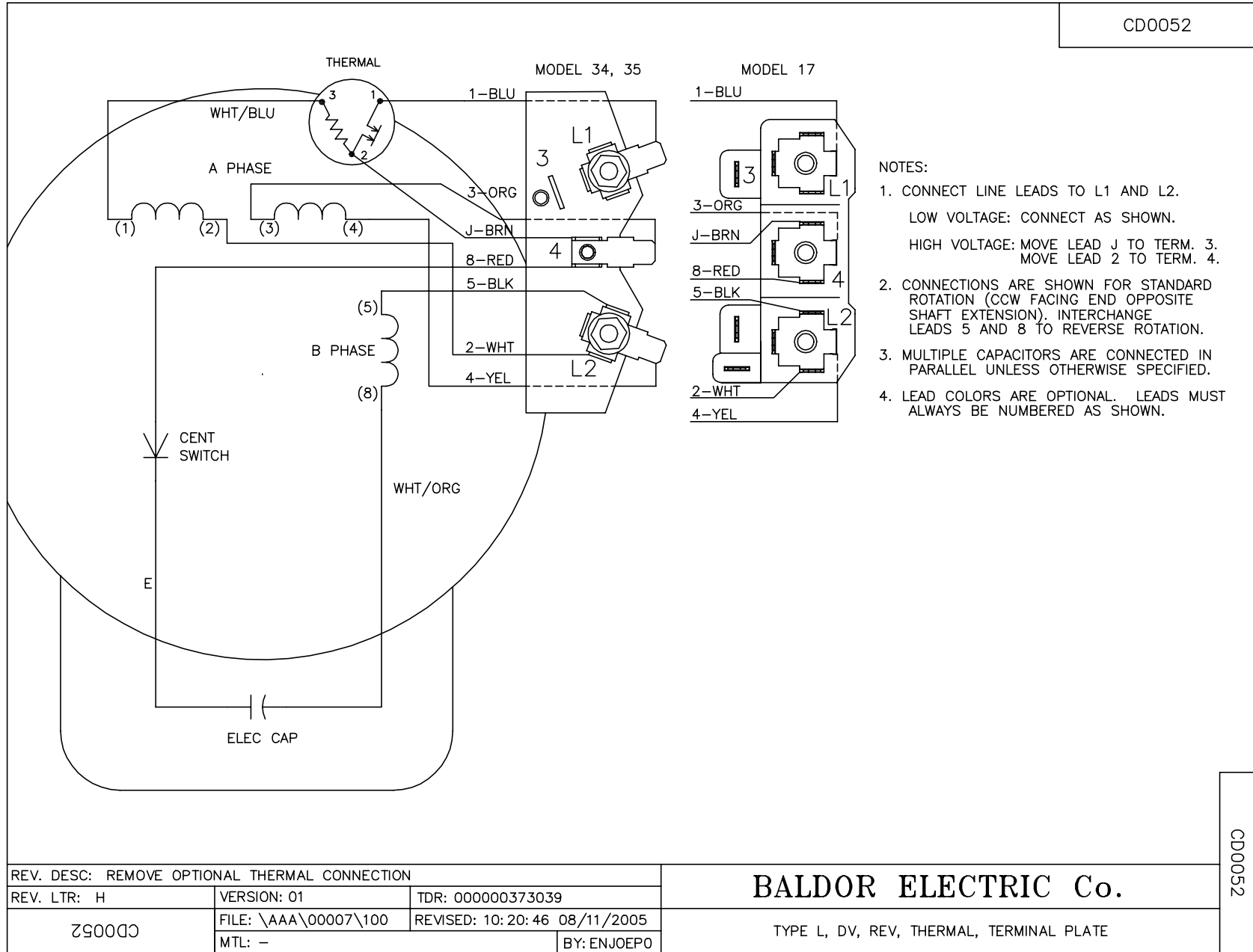


34F493

CUST. NAME		CUST. P.O.		CERTIFIED BY		MODEL		INSUL		AMB							
H.P.		MTG		TYPE		R.P.M.		VOLTS		ENCL		PHASE		FREQ		FRAME	
REMARKS:												BALDOR ELECTRIC Co.					
REV:	-	NEW															
34F493		RER: 34F009		BY: DM		REVISED: 12/29/97		VERT 34L NEMA 56C OPEN W/DRIP COVER, TERM PLATE & ATO IN FREP									
		FILE: AAA00049996		TDR: 0139579													

34F493

CD0052



CD0052

REV. DESC: REMOVE OPTIONAL THERMAL CONNECTION		
REV. LTR: H	VERSION: 01	TDR: 000000373039
Z90052	FILE: \AAA\00007\100	REVISED: 10:20:46 08/11/2005
	MTL: -	BY: ENJOEPO

BALDOR ELECTRIC Co.

TYPE L, DV, REV, THERMAL, TERMINAL PLATE