

BALDOR® • RELIANCE 

Product Information Packet

VL3508

.75HP, 1140RPM, 1PH, 60HZ, 56C, 3528LC, TEFC, F

Part Detail							
Revision:	F	Status:	PRD/A	Change #:		Proprietary:	No
Type:	AC	Elec. Spec:	35WGN454	CD Diagram:	CD0055	Mfg Plant:	
Mech. Spec:	35E022	Layout:	35LYE022	Poles:	06	Created Date:	09-19-2012
Base:	N	Eff. Date:	03-07-2018	Leads:	6#18		

Specs			
Catalog Number:	VL3508	Insulation Class:	F
Enclosure:	TEFC	Inverter Code:	Not Inverter
Frame:	56C	KVA Code:	J
Frame Material:	Steel	Lifting Lugs:	No Lifting Lugs
Output @ Frequency:	.750 HP @ 60 HZ	Locked Bearing Indicator:	Locked Bearing
Synchronous Speed @ Frequency:	1200 RPM @ 60 HZ	Motor Lead Quantity/Wire Size:	6 @ 18 AWG
Voltage @ Frequency:	230.0 V @ 60 HZ	Motor Lead Exit:	Ko Box
	115.0 V @ 60 HZ	Motor Lead Termination:	Flying Leads
XP Class and Group:	None	Motor Type:	3528LC
XP Division:	Not Applicable	Mounting Arrangement:	F1
Agency Approvals:	CSA	Power Factor:	83
	UR	Product Family:	General Purpose
Auxillary Box:	No Auxillary Box	Pulley End Bearing Type:	Ball
Auxillary Box Lead Termination:	None	Pulley Face Code:	C-Face
Base Indicator:	No Mounting	Pulley Shaft Indicator:	Standard
Bearing Grease Type:	Polyrex EM (-20F +300F)	Rodent Screen:	None
Blower:	None	Shaft Extension Location:	Pulley End
Current @ Voltage:	3.900 A @ 230.0 V	Shaft Ground Indicator:	No Shaft Grounding

	4.000 A @ 208.0 V	Shaft Rotation:	Reversible
	7.800 A @ 115.0 V	Shaft Slinger Indicator:	No Slinger
Design Code:	L	Speed Code:	Single Speed
Drip Cover:	No Drip Cover	Motor Standards:	NEMA
Duty Rating:	CONT	Starting Method:	Direct on line
Electrically Isolated Bearing:	Not Electrically Isolated	Thermal Device - Bearing:	NONE (OLD)
Feedback Device:	NO FEEDBACK	Thermal Device - Winding:	None
Front Face Code:	Standard	Vibration Sensor Indicator:	No Vibration Sensor
Front Shaft Indicator:	None	Winding Thermal 1:	None
Heater Indicator:	No Heater	Winding Thermal 2:	None

Nameplate NP1256L										
CAT.NO.	VL3508									
SPEC.	35E022N454G1									
HP	.75									
VOLTS	115/230									
AMP	7.8/3.9									
RPM	1140									
FRAME	56C				HZ	60			PH	1
SER.F.	1.00		CODE	J	DES	L		CLASS	F	
NEMA-NOM-EFF	73.5		PF	83						
RATING	40C AMB-CONT									
CC								USABLE AT 208V	4	
DE	6205				ODE	6203				
ENCL	TEFC		SN							

Parts List		
Part Number	Description	Quantity
SA251541	SA 35E022N454G1	1.000 EA
RA238380	RA 35E022N454G1	1.000 EA
OC3040F18SP	7YL OIL CAP 40MFD/370V	1.000 EA
EC1189C06SP	ELEC CAP, 189-227 MFD, 250V, 2.06D X 4.	1.000 EA
NS2512A01	INSULATOR, CONDUIT BOX X	1.000 EA
35CB3007	35 CB CASTING W/.88 DIA. LEAD HOLE	1.000 EA
36GS1000SP	GASKET-CONDUIT BOX, .06 THICK #SV-330 LE	1.000 EA
51XB1016A07	10-16 X 7/16 HXWSSLD SERTYB	2.000 EA
11XW1032G06	10-32 X .38, TAPTITE II, HEX WSHR SLTD U	1.000 EA
35EP3122K00	MASTER ODE,203 BRG,.683SH,#26 DRN,FH MTG	1.000 EA
51XW0832A07	8-32 X .44, TAPTITE II, HEX WSHR SLTD SE	2.000 EA
35CB3801	CAPACITOR COVER, CAST	1.000 EA
34GS3002	GASKET, CAPACITOR BOX	1.000 EA
HA7010	CAPACITOR RETENTION CLAMP	1.000 EA
NS2501A02	INSULATOR, CAPACITOR BOX	1.000 EA
51XB1016A08	10-16X 1/2HXWSSLD SERTYB	2.000 EA
HW5100A03	WAVY WASHER (W1543-017)	1.000 EA
35EP3307F00	MASTER DE,205 BRG,.998SH,#26 DRN	1.000 EA
51XN1032A20	10-32 X 1 1/4 HX WS SL SR	2.000 EA
51XB1214A16	12-14X1.00 HXWSSLD SERTYB	1.000 EA
35FH4005A32SP	IEC FH NO GR SR W/3 HOLES - PRIMED	1.000 EA
51XW1032A06	10-32 X .38, TAPTITE II, HEX WSHR SLTD S	3.000 EA
35CB4521GX	CONDUIT BOX LID KIT **ORDER INDIV PARTS	1.000 EA
51XW0832A07	8-32 X .44, TAPTITE II, HEX WSHR SLTD SE	4.000 EA

Parts List (continued)		
Part Number	Description	Quantity
HW2501D13	KEY, 3/16 SQ X 1.375	1.000 EA
HA7000A04	KEY RETAINER 0.625 DIA SHAFTS	1.000 EA
85XU0407S04	4X1/4 U DRIVE PIN STAINLESS	2.000 EA
WD1000A15	3-520132-2 AMP FLAG (4M/RL NON-CANC/NON-	4.000 EA
MJ1000A02	GREASE, POLYREX EM EXXON (USe 4824-15A)	0.050 LB
35FN3002A05SP	EXFN, PLASTIC, 6.376 OD, .638 ID	1.000 EA
MG1000G27	MED CHARCOAL METALLIC GREY 400-0096	0.017 GA
HA3100A15	THRUBOLT 10-32 X 8.375	4.000 EA
34GS5003	OAM SLEEVE, ID = 2 1/16" X 3 3/8"	1.000 EA
SP5181A01	MODEL 35 LC TORQ STAT SWITCH LEAD ASSY	1.000 EA
LC0001A01	CONN LABEL / WARNING LABEL (LC0001 / LB1	1.000 EA
NP1256L	ALUM UL CSA CC INDUSTRIAL MOTOR A60	1.000 EA
35PA1066	PKG GRP, PRINT PK1008A06	1.000 EA
PK3082	STYROFOAM CRADLE	1.000 EA
MN416A01	TAG-INSTAL-MAINT no wire (1200/bx) 5/18	1.000 EA
FE-0000001	ZRTG FE ASSEMBLY	1.000 EA
PE-0000001	ZRTG PE ASSEMBLY	1.000 EA

AC Induction Motor Performance Data

Record # 61264 - Typical performance - not guaranteed values

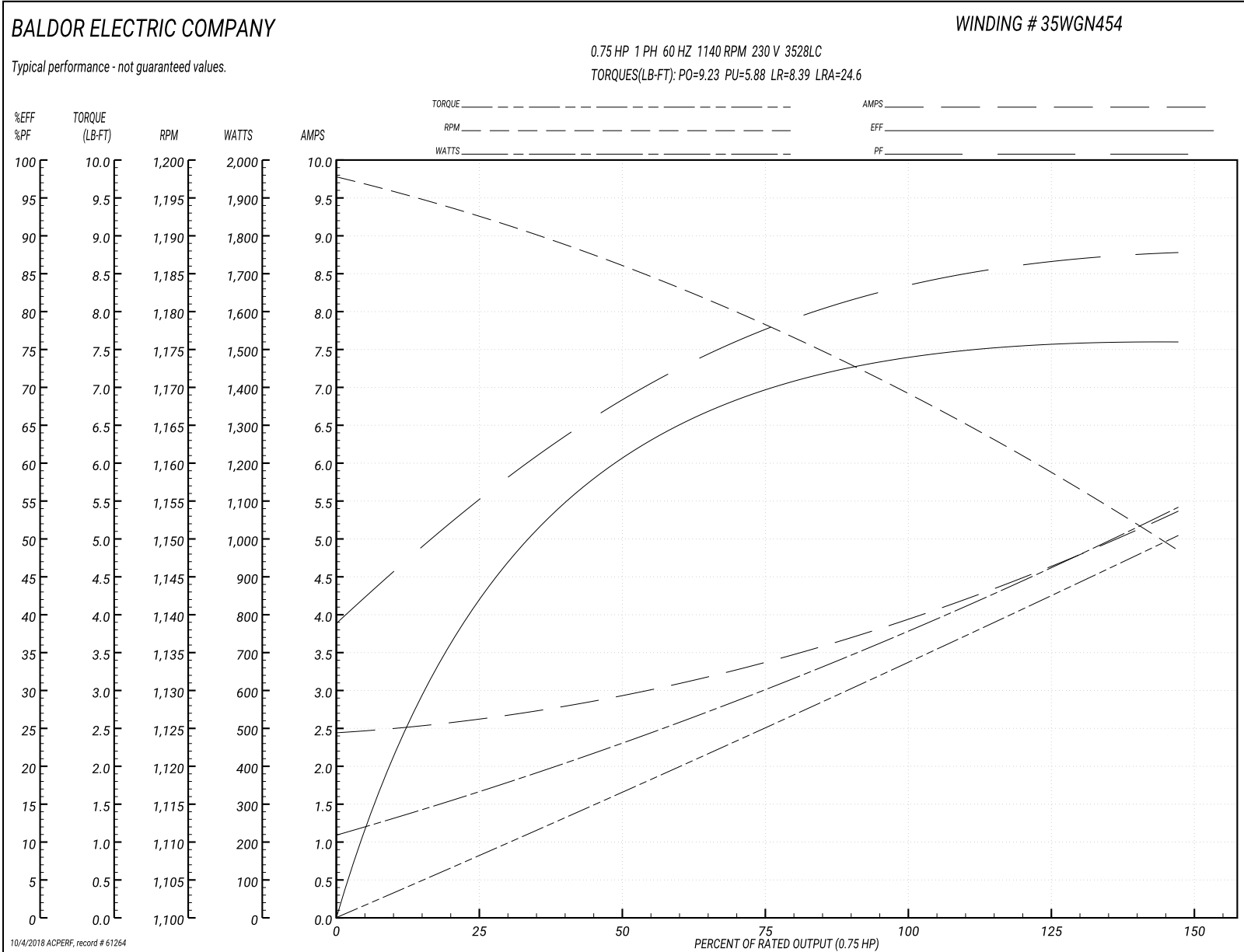
Winding: 35WGN454-R004	Type: 3528LC	Enclosure: TEFC
-------------------------------	---------------------	------------------------

Nameplate Data				230 V, 60 Hz: High Voltage Connection	
Rated Output (HP)	.75			Full Load Torque	3.27 LB-FT
Volts	115/230			Start Configuration	direct on line
Full Load Amps	7.8/3.9			Breakdown Torque	9.23 LB-FT
R.P.M.	1140			Pull-up Torque	5.88 LB-FT
Hz	60	Phase	1	Locked-rotor Torque	8.39 LB-FT
NEMA Design Code	L	KVA Code	J	Starting Current	24.6 A
Service Factor (S.F.)	1			No-load Current	2.45 A
NEMA Nom. Eff.	73.5	Power Factor	83	Line-line Res. @ 25°C	3.3194 Ω A Ph 3.3621 Ω B Ph
Rating - Duty	40C AMB-CONT			Temp. Rise @ Rated Load	54°C

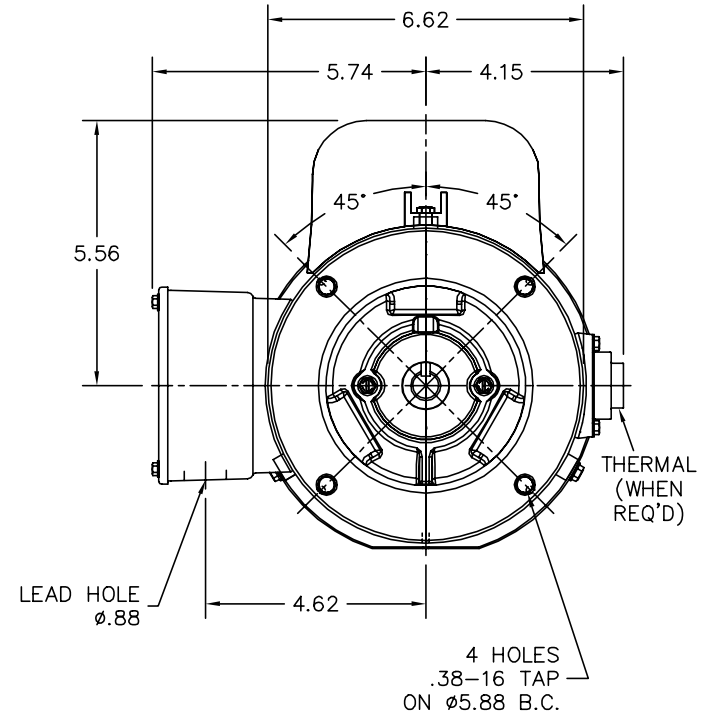
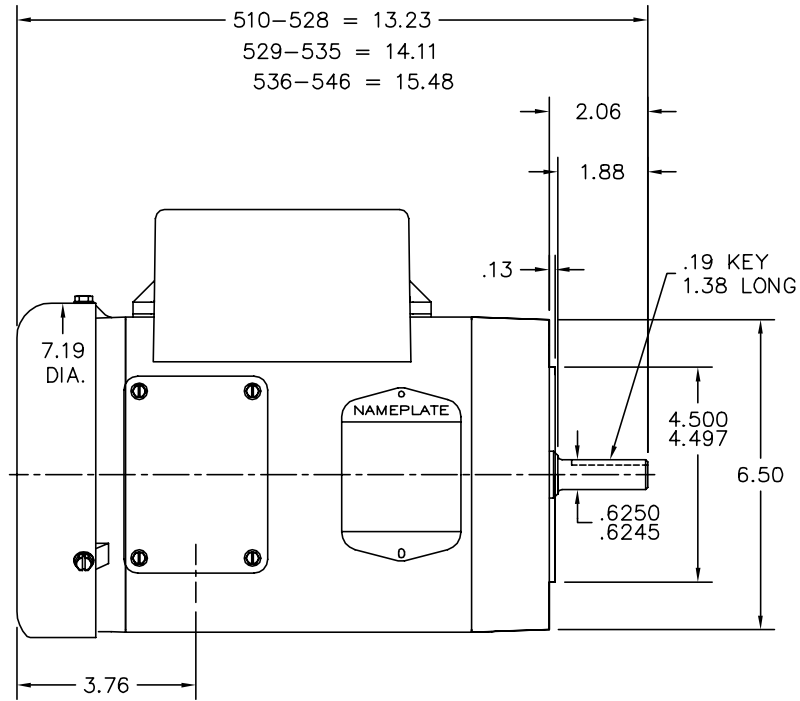
Load Characteristics 230 V, 60 Hz, 0.75 HP

% of Rated Load	25	50	75	100	125	150
Power Factor	54	68	77	83	86	89
Efficiency	38.1	59	68.9	73.8	75.8	75.9
Speed	1193.1	1186.7	1179.3	1170.3	1160.4	1148.2
Line amperes	2.59	2.87	3.32	3.88	4.56	5.36

Performance Graph at 230V, 60Hz, 0.75HP Typical performance - Not guaranteed values



35LYE022



CUSTOMER IS RESPONSIBLE FOR DETERMINING THAT BALDOR'S PRODUCT WILL PERFORM SUITABLY IN THE INTENDED APPLICATION.

REV. DESC: CHG PUEP TO MATCH MECH SPEC		
REV. LTR: P	VERSION: 06	TDR: 000001065629
FILE: \AAA\00004\912	REVISED: 10:57:21 03/27/2018	BY: USDAMAR15
MTL: -	© □	

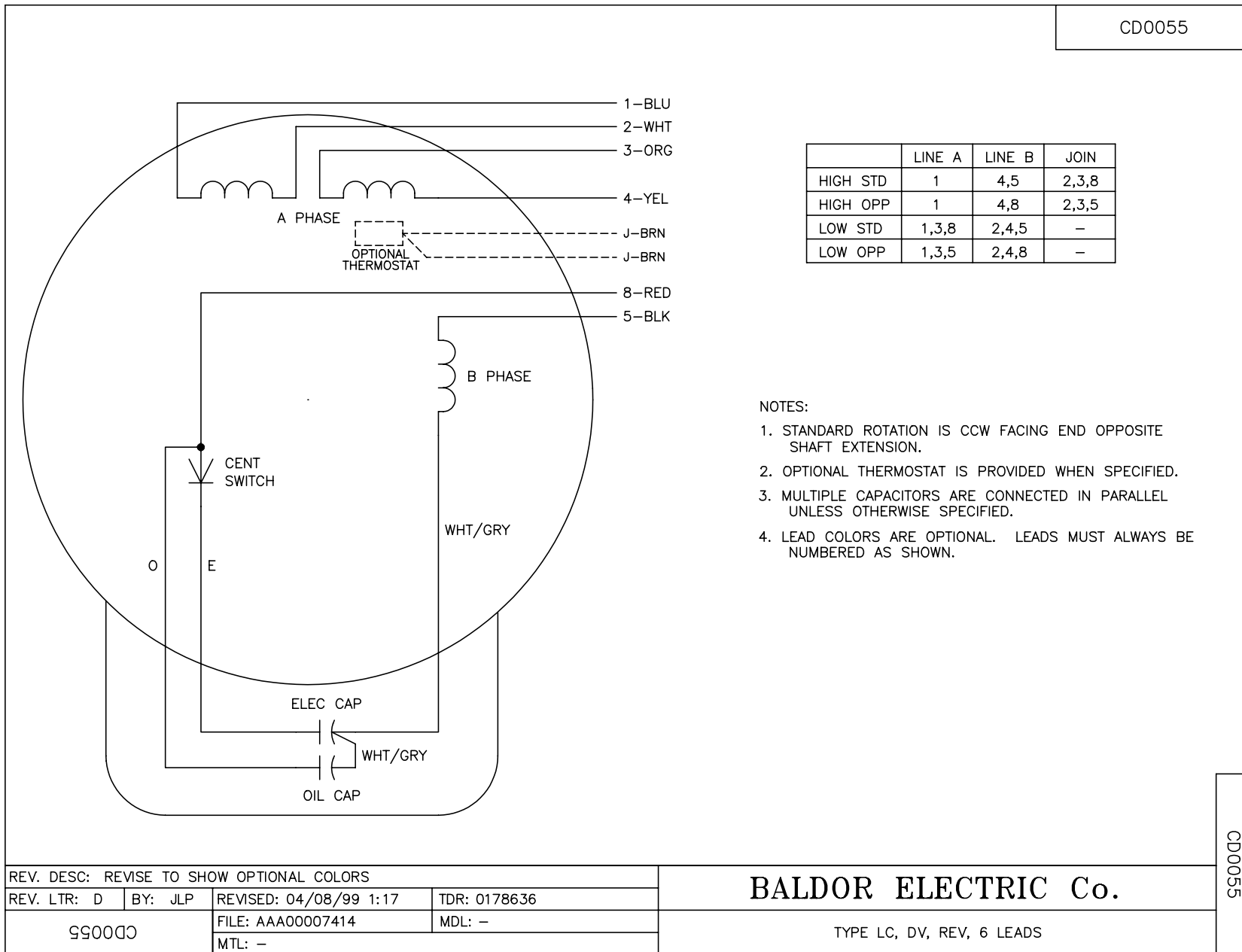
BALDOR - RELIANCE®

STD VERT 56C TEFC 35LC

SH 1 of 1

35LYE022

CD0055



NOTES:

1. STANDARD ROTATION IS CCW FACING END OPPOSITE SHAFT EXTENSION.
2. OPTIONAL THERMOSTAT IS PROVIDED WHEN SPECIFIED.
3. MULTIPLE CAPACITORS ARE CONNECTED IN PARALLEL UNLESS OTHERWISE SPECIFIED.
4. LEAD COLORS ARE OPTIONAL. LEADS MUST ALWAYS BE NUMBERED AS SHOWN.

REV. DESC: REVISE TO SHOW OPTIONAL COLORS			
REV. LTR: D	BY: JLP	REVISED: 04/08/99 1:17	TDR: 0178636
990055		FILE: AAA00007414	MDL: -
		MTL: -	

BALDOR ELECTRIC Co.

TYPE LC, DV, REV, 6 LEADS

CD0055