

# **BALDOR**® • ***RELIANCE***

## **Product Information Packet**

# **VM3155**

**2HP,3450RPM,3PH,60HZ,56C,3428M,OPEN,F1**

Part Detail							
Revision:	S	Status:	PRD/A	Change #:		Proprietary:	No
Type:	AC	Prod. Type:	3428M	Elec. Spec:	34WG0284	CD Diagram:	CD0005
Enclosure:	OPEN	Mfg Plant:		Mech. Spec:	34F140	Layout:	34LYF140
Frame:	56C	Mounting:	F1	Poles:	02	Created Date:	
Base:	N	Rotation:	R	Insulation:	B	Eff. Date:	08-19-2011
Leads:	9#18					Replaced By:	
Literature:		Elec. Diagram:					

<b>Nameplate NP1256L</b>									
CAT.NO.	VM3155								
SPEC.	34F140-284								
HP	2								
VOLTS	208-230/460								
AMP	6.2-5.8/2.9								
RPM	3450								
FRAME	56C	HZ	60	PH	3				
SER.F.	1.15	CODE	H	DES	B	CLASS	B		
NEMA-NOM-EFF	80	PF	80						
RATING	40C AMB-CONT								
CC	USABLE AT 208V		6.2						
DE	6203	ODE	6203						
ENCL	OPEN	SN							
SFA 6.8-6.4/3.2									

Parts List		
Part Number	Description	Quantity
SA005808	SA 34F140-284	1.000 EA
RA002554	RA 34F140-284	1.000 EA
NS2512A01	INSULATOR, CONDUIT BOX X	1.000 EA
34CB3002A	CB CAST W/.88 DIA HOLE	1.000 EA
51XB1016A07	10-16 X 7/16 HXWSSLD SERTYB	2.000 EA
11XW1032G06	10-32 X .38, TAPTITE II, HEX WSHR SLTD U	1.000 EA
34EP3210A03SP	FR ENDPLATE, MACH	1.000 EA
HW5100A03SP	WAVY WASHER (W1543-017)	1.000 EA
34EP3401A01SP	PU ENDPLATE, MACH	1.000 EA
34AD2000	BAFFLE PLATE, STAMPED	1.000 EA
51XT0632A06	6-32X3/8 TY23 HXWS SLDSR	4.000 EA
51XN1032A20	10-32 X 1 1/4 HX WS SL SR	2.000 EA
34FH4000A11	DRIP COVER, STAMPED	1.000 EA
51XW1032A06	10-32 X .38, TAPTITE II, HEX WSHR SLTD S	3.000 EA
34CB4517	CB LID 4 MTG HOLES .22 DIA STAMPED, FOR	1.000 EA
51XW0832A07	8-32 X .44, TAPTITE II, HEX WSHR SLTD SE	4.000 EA
HW2501D13SP	KEY, 3/16 SQ X 1.375	1.000 EA
HA7000A04	KEY RETAINER 0.625 DIA SHAFTS	1.000 EA
MG1000G27	MED CHARCOAL METALLIC GREY	0.014 GA
10XF0440S02	04-40 X 1/8 TYPE F HEX HD STAINLESS STIC	2.000 EA
HA3100A38	THRUBOLT 10-32 X 9.375	4.000 EA
LB1125C01	STD (STOCK) CARTON LABEL BALDOR WITH FLA	1.000 EA
LC0005E01	CONN.DIA./WARNING LABEL (LC0005/LB1119N)	1.000 EA
NP1256L	ALUM UL CSA CC	1.000 EA

<b>Parts List (continued)</b>		
<b>Part Number</b>	<b>Description</b>	<b>Quantity</b>
34PA1005	PACKING GROUP, BALDOR	1.000 EA
PK3083T	STYROFOAM PACKING CRADLE W/TAPE	1.000 EA
LB1506	LABEL "AMERICAN MADE" 1.50 X 1.00	1.000 EA

**AC Induction Motor Performance Data**

Record # 18005 - Typical performance - not guaranteed values

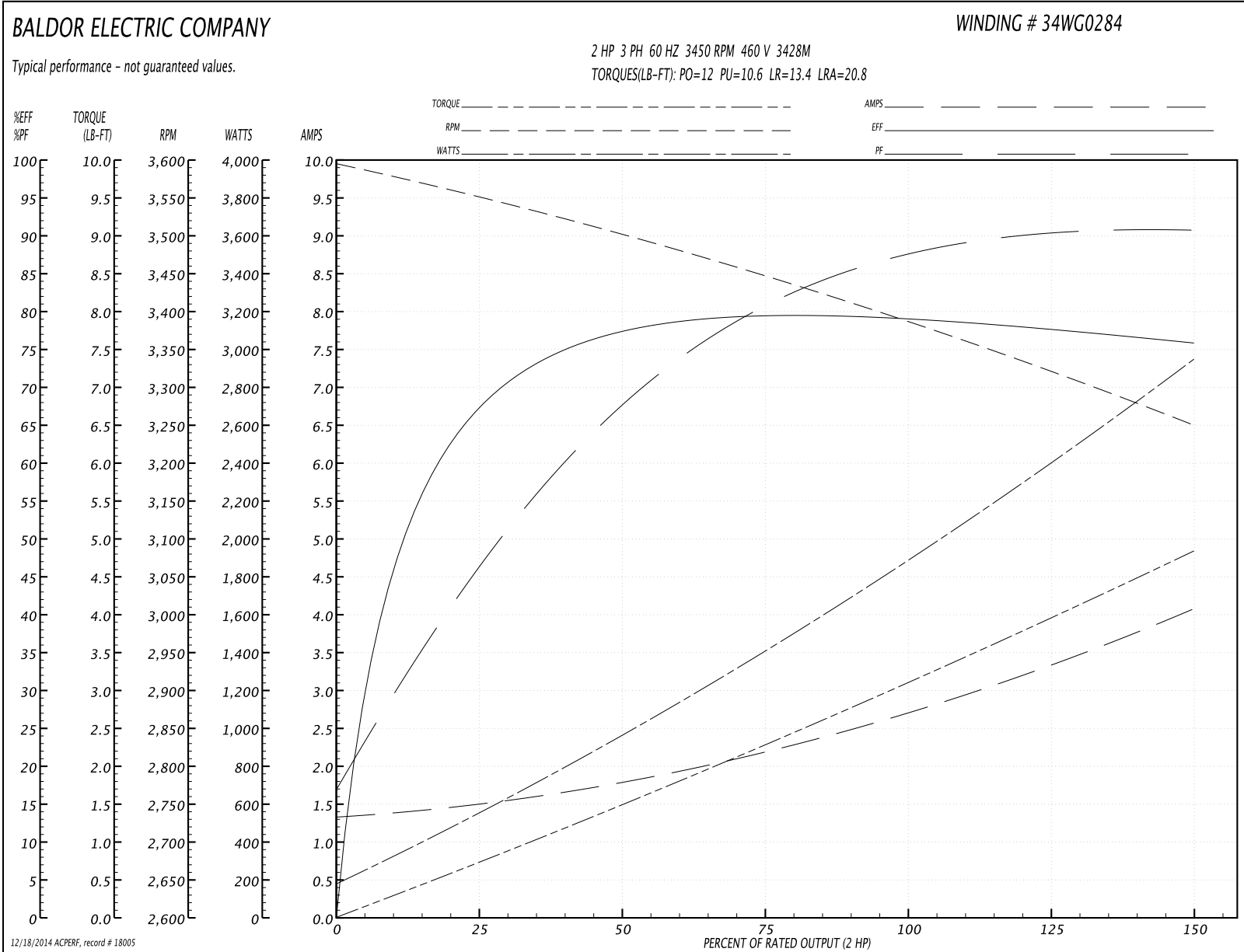
<b>Winding:</b> 34WG0284-R001	<b>Type:</b> 3428M	<b>Enclosure:</b> TEFC
-------------------------------	--------------------	------------------------

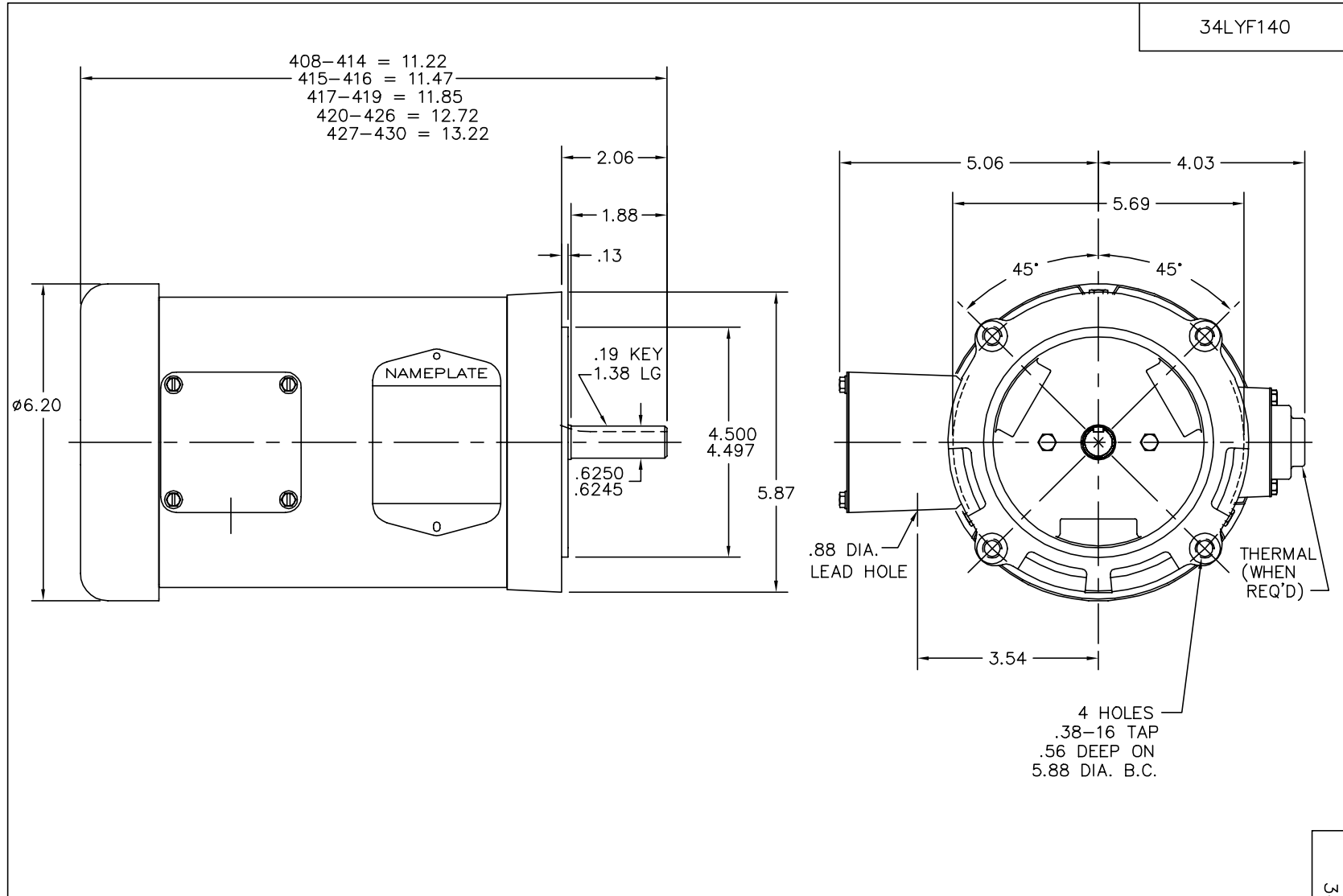
Nameplate Data				460 V, 60 Hz: High Voltage Connection	
Rated Output (HP)	2			Full Load Torque	3.11 LB-FT
Volts	208-230/460			Start Configuration	direct on line
Full Load Amps	6.2-5.8/2.9			Breakdown Torque	12 LB-FT
R.P.M.	3450			Pull-up Torque	10.6 LB-FT
Hz	60	Phase	3	Locked-rotor Torque	13.4 LB-FT
NEMA Design Code	B	KVA Code	H	Starting Current	20.8 A
Service Factor (S.F.)	1.15			No-load Current	1.35 A
NEMA Nom. Eff.	80	Power Factor	80	Line-line Res. @ 25°C	7.39 Ω
Rating - Duty	40C AMB-CONT			Temp. Rise @ Rated Load	85°C
S.F. Amps	6.8-6.4/3.2			Temp. Rise @ S.F. Load	103°C
				Rotor inertia	0.026 LF <sup>2</sup>

Load Characteristics 460 V, 60 Hz, 2 HP

% of Rated Load	25	50	75	100	125	150	S.F.
Power Factor	48	68	80	87	90	91	89
Efficiency	67.7	77.5	80.1	80	78.5	76	79.1
Speed	3547	3502	3447	3389	3324	3247	3350
Line amperes	1.47	1.76	2.21	2.72	3.34	4.07	3.09

Performance Graph at 460V, 60Hz, 2.0HP Typical performance - Not guaranteed values





CUSTOMER IS RESPONSIBLE FOR DETERMINING THAT MOTOR PERFORMANCE IS SUITABLE IN THE APPLICATION.

REV. DESC: NEW KBOX & LID			
REV. LTR: D	BY: RT	REVISED: 16:17:07 10/16/2003	TDR: 315466
34LYF140		FILE: AAA00026612	REF: 34LYF140
		MTL: -	

**BALDOR ELECTRIC Co.**

STD VERT MODEL 34M NEMA 56C OPEN W/ DRIP COVER

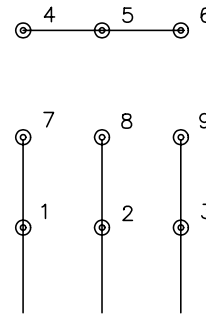
34LYF140



CD0005

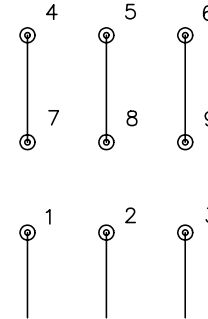


LOW VOLTAGE  
(2Y)



LINE

HIGH VOLTAGE  
(1Y)



LINE

NOTES:

1. INTERCHANGE ANY TWO LINE LEADS TO REVERSE ROTATION.
2. OPTIONAL THERMOSTATS ARE PROVIDED WHEN SPECIFIED.
3. ACTUAL NUMBER OF INTERNAL PARALLEL CIRCUITS MAY BE A MULTIPLE OF THOSE SHOWN ABOVE.
4. LEAD COLORS ARE OPTIONAL. LEADS MUST ALWAYS BE NUMBERED AS SHOWN.

REV. DESC: REVISE TO SHOW OPTIONAL COLORS			
REV. LTR: E	BY: JLP	REVISED: 01/19/99 10:15	TDR: 0171435
900000		FILE: AAA00005140	MDL: -
		MTL: -	

**BALDOR ELECTRIC Co.**

3PH, DV, 9 LEADS

CD0005